



HUMIDITY



TEMPERATURE



FLOW



CONDUCTIVITY

HYT 939

Digital Humidity and Temperature Module

Optimal for extremely sophisticated, industrial applications

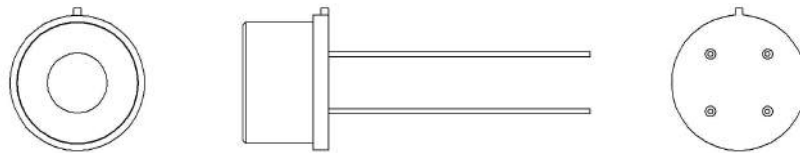


INNOVATIVE SENSOR TECHNOLOGY

Benefits & Characteristics

- Calibrated and temperature compensated
- High chemical resistance
- Wide humidity and temperature range
- Very stable at high humidity
- Mechanically robust
- Excellent humidity/temperature accuracy and stability
- I²C protocol (address 0x28 or alternative address)
- Very low drift
- Interchangeable without adjustments
- Pressure-resistant version up to 16 bar upon request

Illustration¹⁾



1) For actual size, see mechanical dimensions

Technical Data

Operating temperature range:	-40 °C to +125 °C
Operating humidity range:	0 % RH to 100 % RH
Hysteresis:	< ±1 % RH
Linearity error:	< ±1 % RH
Temperature error:	0.05 % RH/K (0 °C to +60 °C)
Operating voltage:	2.7 V to 5.5 V
Current consumption (nominal):	< 22 µA at 1 Hz measuring rate; 850 µA max.
Current consumption (sleep):	< 1 µA
Digital interface:	I ² C, address 0x28 or alternative address
Operating voltage (limits):	-0.3 V to 6 V
Storage conditions:	-20 °C to +50 °C

	Humidity	Temperature
Accuracy:	±1.8 % RH at +23 °C (0 % RH to 90 % RH)	±0.2 K (0 °C to +60 °C)
Reproducibility:	±0.2 % RH	±0.1 K
Resolution:	0.02 % RH	0.015 °C
Response time t ₆₃ :	< 10 s with metal mesh filter	< 10 s with metal mesh filter
Long-term drift:	< 0.5 % RH/a	< 0.05 K/a
Measuring principle:	Capacitive polymer humidity sensor	PTAT (integrated)



HUMIDITY



TEMPERATURE



FLOW



CONDUCTIVITY

HYT 939

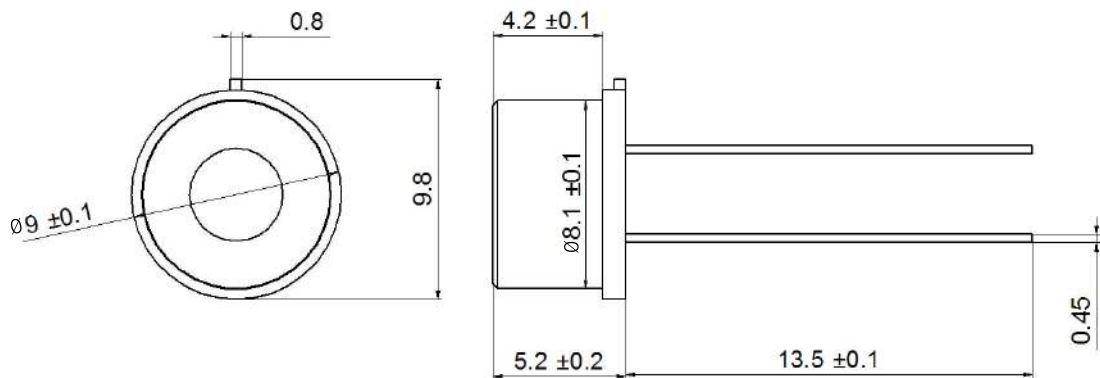
Digital Humidity and Temperature Module

Optimal for extremely sophisticated, industrial applications

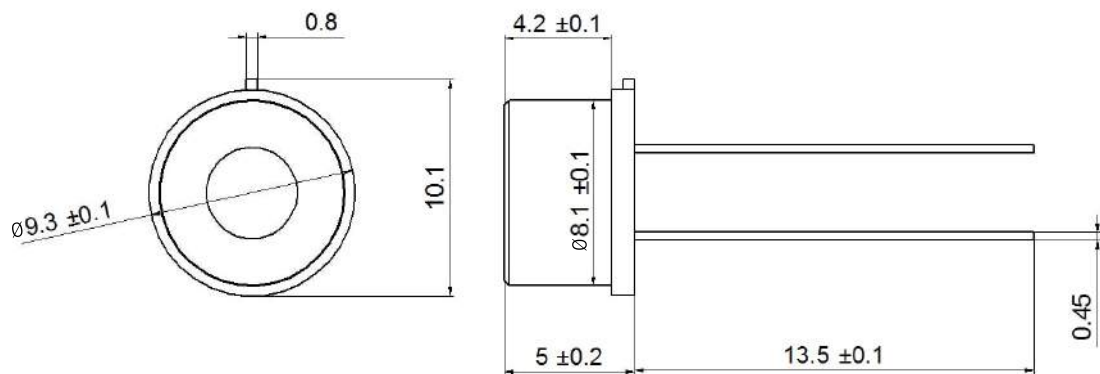


INNOVATIVE SENSOR TECHNOLOGY

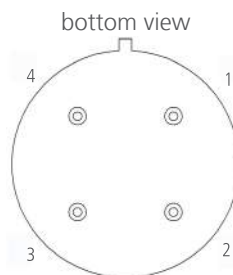
Mechanical Dimensions - HYT 939



Mechanical Dimensions - HYT 939p



Pin Assignment



1	2	3	4
SCL	VCC	GND	SDA



HUMIDITY



TEMPERATURE



FLOW



CONDUCTIVITY

HYT 939

Digital Humidity and Temperature Module

Optimal for extremely sophisticated, industrial applications



INNOVATIVE SENSOR TECHNOLOGY

Order Information

Order code	HYT 939 150.00067
------------	----------------------

Order Information - Pressure-tight up to 16 bar

Order code	HYT 939p 150.00096
------------	-----------------------

Additional Electronics

LabKit:	DHHYTLabKit_E	Document name:
LCD module:	DHLCD-Modul_E	

Additional Documents

Application Note:	AHHYTM_E	Document name:
-------------------	----------	----------------



INNOVATIVE SENSOR TECHNOLOGY

Innovative Sensor Technology IST AG, Stegrütistrasse 14, CH-9642 Ebnat-Kappel, Switzerland,
Phone: +41 (0) 71 992 01 00 | Fax: +41 (0) 71 992 01 99 | E-mail: info@ist-ag.com | Web: www.ist-ag.com



All mechanical dimensions are valid at 25 °C ambient temperature, if not differently indicated • All data except the mechanical dimensions only have information purposes and are not to be understood as assured characteristics • Technical changes without previous announcement as well as mistakes reserved • The information on this data sheet was examined carefully and will be accepted as correct; No liability in case of mistakes • Load with extreme values during a longer period can affect the reliability • The material contained herein may not be reproduced, adapted, merged, translated, stored, or used without the prior written consent of the copyright owner • Typing errors and mistakes reserved • Product specifications are subject to change without notice • All rights reserved