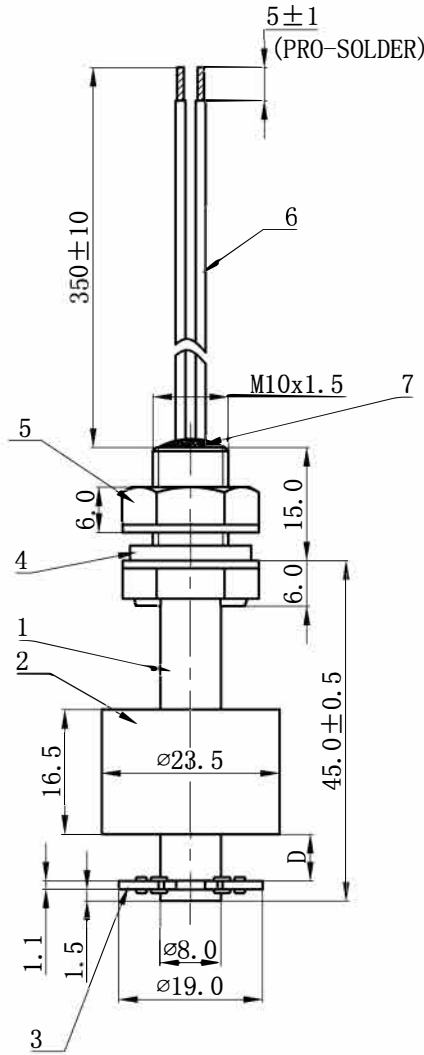
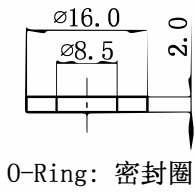


Unit: mm
Tolerance: ±0.3



Description of Action:
When the floater drops from the top to the D position, the switch turns on. $2\text{mm} \leq D \leq 5\text{mm}$.

Material specification 材质规格		Electrical characteristics 电气特性		Operating characteristics 使用特性	
1. Float body: PP White 本体:		1. Contact Form: A 触点方式		1. Max. Shock: 30G Max. 耐冲击性	
2. Float ball: PP White 浮球		2. Max. Contact Rating: 10W 最大接点容量		2. Max. Vibration: 10~55Hz Amplitude: 1.52mm 2H. 耐振动性	
3. E-Ring: PP White 卡环		3. Max. Switching Voltage: DC200V/AC150V 最大开关电压		3. Operating Temperature: -20~+100°C 使用温度	
4. O-Ring: SIL Red 密封圈 硅橡胶红色		4. Min. Breakdown Voltage: DC250V 最小崩溃电压		4. Humidity: 95%RH 湿度	
5. Nut: PP White 螺母		5. Max. Switching Current: 0.5A 最大开关电流		5. Application: Water 应用 水	
6. Wire: UL1061 AWG22 White 线材:		6. Max. Contact Resistance: 500mΩ 最大接触电阻			
7. Epoxy Resin Black Epoxy 充填树脂 黑色环氧树脂		7. Min. Insulation Resistance: 10 ⁹ Ω 最小绝缘电阻			
		DRAWN: 吴恒武		DATE: 2018. 10. 20	PART NAME: Level Sensor
		CHECKED: /		DATE: /	PART NO. LS-4501-103
		APPR'D: 吴恒武		DATE: 2018. 10. 20	DWG. NO.
Rev.	Date	Revision History		Issue by	Approved
				ANGLE OF VIEW 	
				UNIT: mm	
				SCALE: 1:1	
				SHEET: 10F1	
				DWG. SIZE: A4	