

PCB Mount Filters FP Series (plastic case)

General purpose PCB mount

- Personal computers and peripherals
- Digital equipments
- Measuring instruments and medical equipments
- Low power SMPS
- Consumer electronics

Filter Range

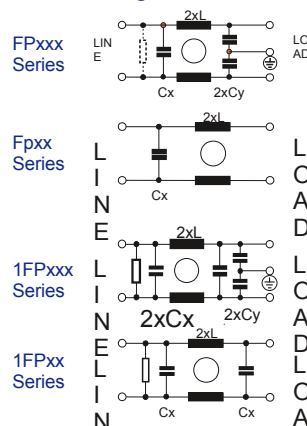
Model	U (V)	I (A)	Cx(nF)	Cy(nF)	L(mH)			
FP218-1	250VAC		33	2.5	10			
FP28-1				10				
FP214-2				2.5	2.5			
FP24-2				2.5				
FP212-6				2.5				
FP22-6				2.5				
FP105-0	250VAC	0,5	100	10	2,5			
FP315-0				47				
FP415-0, 1FP415-0R				100				
FP615-0R, 1FP615-0R				220				
FP104-1				10				
FP314-1				47				
FP414-1, 1FP414-1R	250VAC		100	2,5				
FP614-1R, 1FP614-1R			220					
FP102-2			10					
FP312-2			47					
FP412-2, 1FP412-2R			100					
FP612-2R, 1FP612-2R			220					
FP101-4	250VAC		100	10	0,5			
FP311-4				47				
FP411-4, 1FP411-4R				100				
FP611-4R, 1FP611-4R				220				
1FP45-0R				250VAC		0,5	100	
1FP65-0R							220	
1FP44-1R	100							
1FP64-1R	220							
1FP42-2R	100							
1FP62-2R	220							
1FP41-4R	250VAC		100	0,5				
1FP61-4R			220					



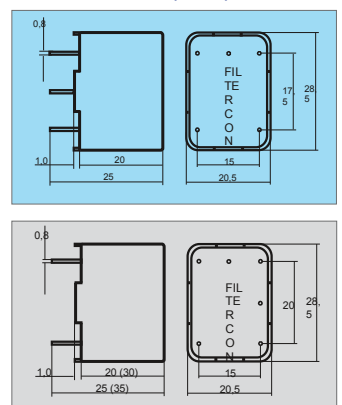
Electrical Specifications

Rate Voltage: max 250V, 50/60Hz
 Rated current: referred to room temperature = 40 C
 Leakage current at 220V, 50Hz max 0,5 mA
 Voltage test (2 sec): line to ground (*3000) VDC
 line to line 1075 (*1700) VDC
 Climatic category: HPF (25/085/21)
 temperature range: -25 C to +85 C
 Bleeder Resistor (1M) is available only for Cx >100nF
 Plastic case sealed with silicone

Circuit Diagram

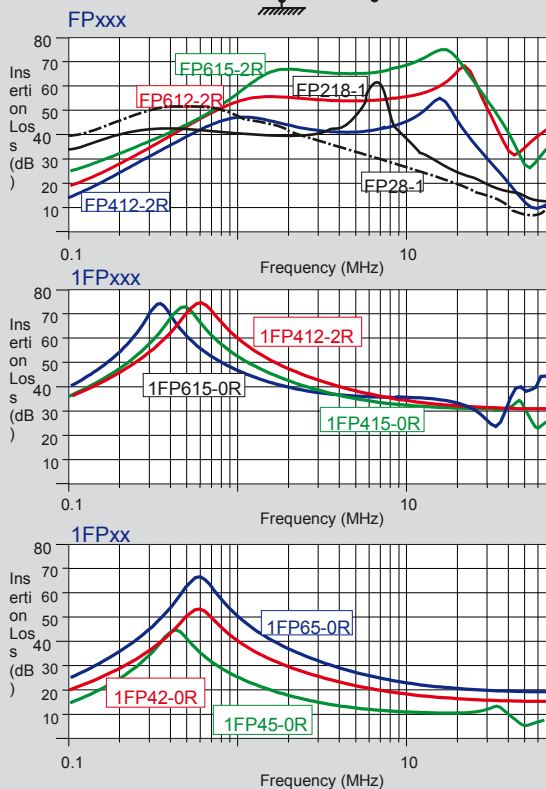
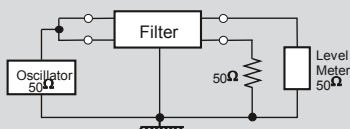


Dimensions (mm)



Insertion loss (typical)

Asymmetrical (line to ground)



Symmetrical (line to line)

