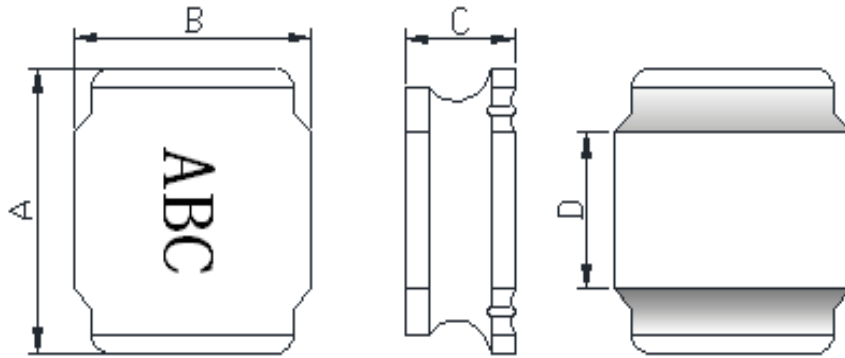
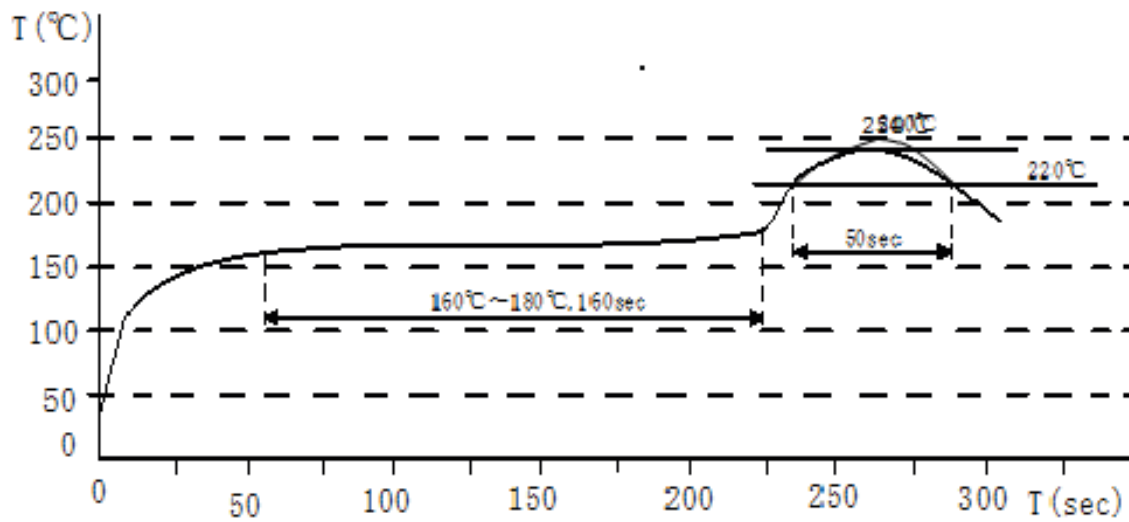


D DJNR4018



Item	No Tube
A (mm)	4.0± 0.2
B (mm)	4.0±0.2
C (mm)	2.00Max
D(mm)	2.6±0.2



MICROS PART No.	NOMINAL INDUCTANCE (uH)	DCR (Ω) MAX	Isat(A) (Δ L/L0≥ 65%)	Irise(A) ΔT=40°C
D DJNR4018-001.0	1.0	0.03	4.30	2.40
D DJNR4018-002.2	2.2	0.06	2.40	2.00
D DJNR4018-003.3	3.3	0.091	2.21	1.90
D DJNR4018-004.7	4.7	0.117	1.53	1.50
D DJNR4018-010.0	10	0.26	1.17	1.00
D DJNR4018-015.0	15	0.348	0.85	0.80
D DJNR4018-022.0	22	0.507	0.72	0.70
D DJNR4018-033.0	33	0.728	0.59	0.55
D DJNR4018-047.0	47	0.983	0.51	0.50
D DJNR4018-100.0	100	2.85	0.07	0.05