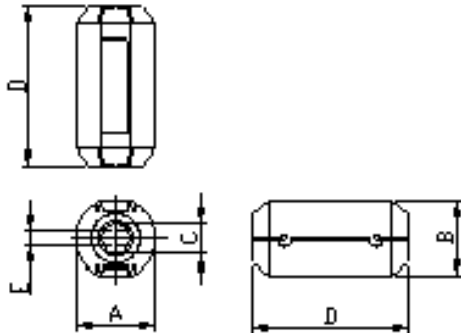


D FLF502-2

MULTILAYER FERRITE CHIP FERRITE INDUCTORS

Shape And Dimensions



Item	No Tube
A	16± 1.0
B	
C	5± 0.5
D	29.5± 1.5

appearance standard

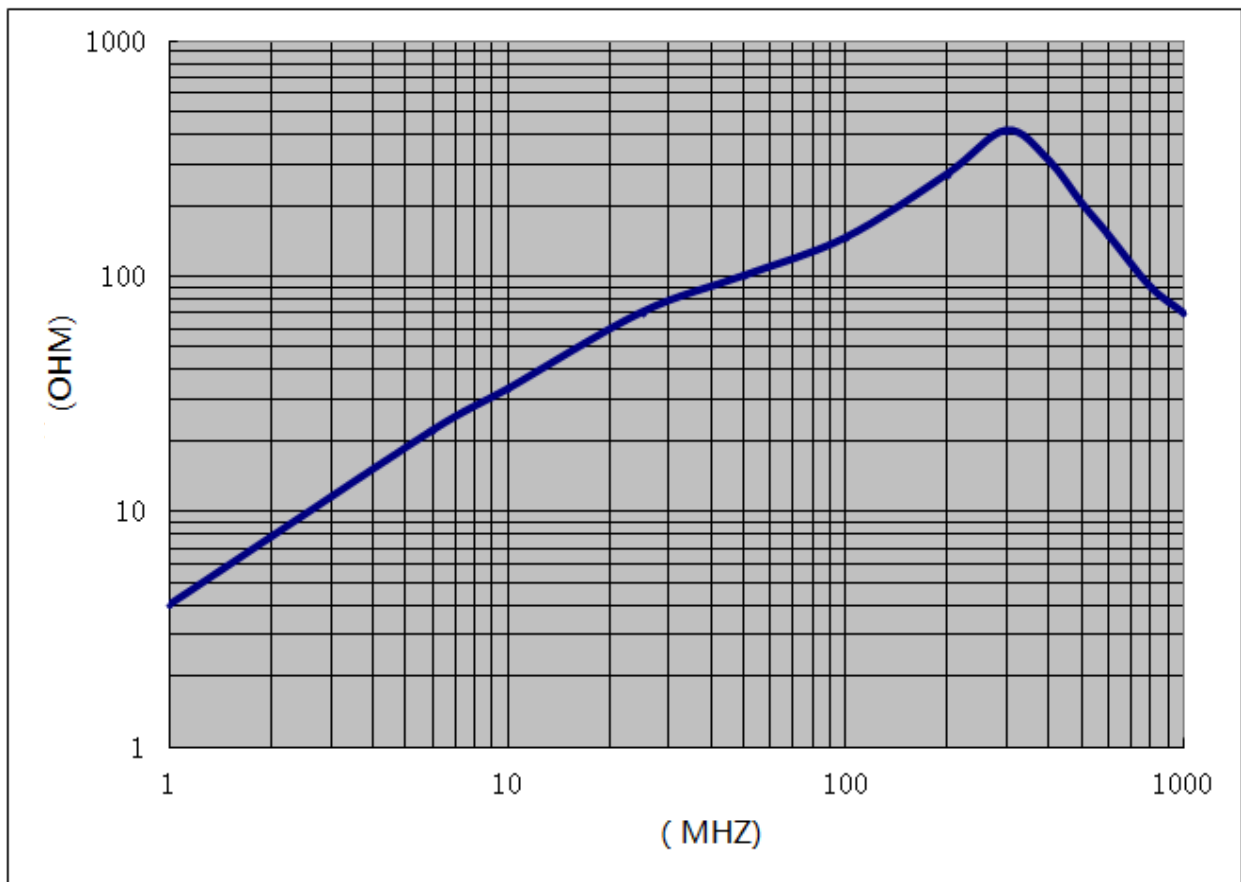
(ALL AREA OF BREAKAGE)	≤2MM ²
(THE DEPTH OF THE BREAKAGE)	≤0.4MM
(THE LENGTH BURR)	≤0.2MM

Material properties

Item	Symbol	Condition	Value	Unit
Initial Permeability	ui		650±25%	
Working Frequency	f	25° C	0.1--1	MHz
Relative Loss Factor	tan δ /ui	25° C	18 0.1MHz	⁻⁶ X10
Saturation Magnetic Flux Density	Bs	25° C	400 4000A/M	MT
Remanence	Br	25° C	280	MT
Coercitive Force	Hc	25° C	25	A/m
(20--60° C) Relative Temperature Coefficient	aur		7--18	⁻⁶ X10 ° C
Curie Temperature	Tc		≥180	° C
Electrical Resistivity	ρ	25° C	⁵ 10	Ω.m
Density	d	25° C	4.8	g/cm ³

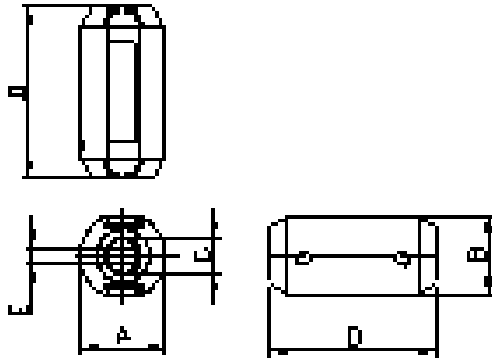
D FLF502-2

MHZ	1	6	10	25	50	100	200	300	400	500	600	800	1000
OHM	4	22	33	70	100	145	270	415	310	205	150	90	70



COILS ϕ 0.65 (2UEW)*100mm *1T_s METER: HP-4291B

D FLF502-2



	Value (mm)	1	2	3	4	5	6	7	8	9	10	1682A
A	16±1.0	16.02	16.05	15.98	15.96	16.03	16.02	16.02	15.99	16.04	16.02	OK
B												OK
C	5±0.5	5.02	5.03	5.01	4.98	5.02	5.01	5.01	4.99	5.03	5.01	OK
D	29.5±1.5	29.53	29.55	29.51	29.5	29.54	29.53	29.53	29.51	29.55	29.53	OK

behaviour of electrical conductivity	test condition:									test instrument:	1682A	
	Value (nH)	1	2	3	4	5	6	7	8	9	10	1682A
y	test condition:	Φ0.65 (2EUW) *1TS*100MM								test instrument:	HP-4291B	
	25MHZ Z1≥60	70	70	70	70	71	71	71	71	70	70	OK
	100MHZ Z2≥120	145	145	145	145	144	144	144	144	140	140	OK