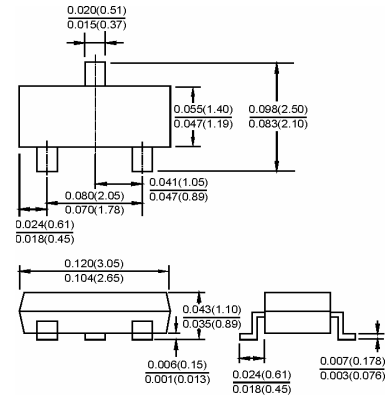

SOT-23

Dimensions in inches and (millimeters)

Features

- ✧ Fast switching speed.
- ✧ High conductance.
- ✧ Common cathode.
- ✧ For general purpose switching applications.
- ✧ Surface mount package ideally suited for automatic insertion.

Applications

- ✧ Small signal switching

Ordering Information

Type No.	Marking	Package Code
BAV70	A4	SOT-23

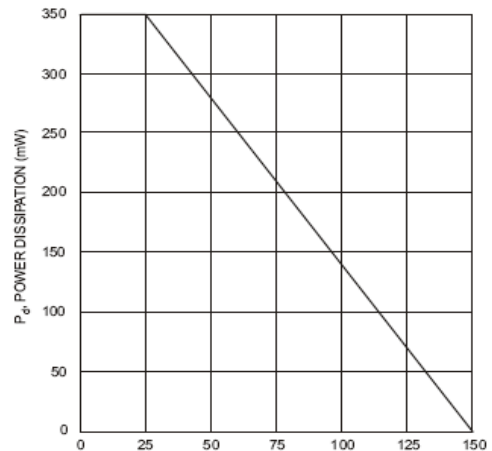
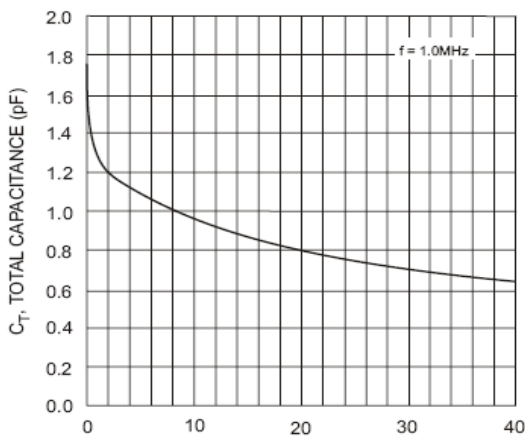
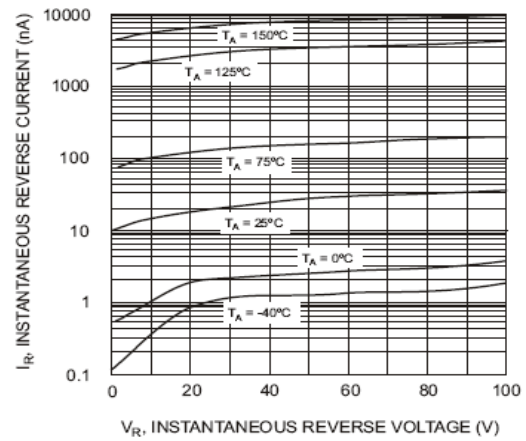
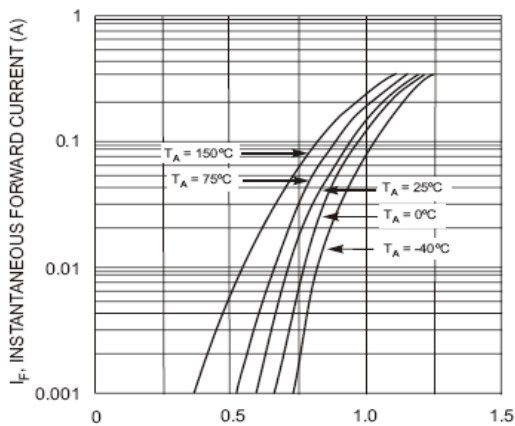
MAXIMUM RATING @ Ta=25°C unless otherwise specified

Parameter	Symbol	Limits	Unit
Non-Repetitive Peak reverse voltage	V_{RM}	100	V
Peak repetitive reverse voltage	V_{RRM}	75	V
Working peak reverse voltage	V_{RWM}		
DC Reverse Voltage	V_R		
RMS Reverse Voltage	$V_{R(RMS)}$	53	V
Forward continuous Current(Max.)	I_{FM}	300	mA
Average rectified output current	I_O	150	mA
Repetitive Peak Forward current	I_{FRM}	450	mA
Non-repetitive forward Surge Current	I_{FSM}	2.0	A
@t=1.0μs		1.0	
@t=1.0s			
Power Dissipation	P_d	350	mW
Thermal resistance, junction to ambient air	$R_{\theta JA}$	357	°C/W
Junction temperature	T_j	150	°C
Storage temperature range	T_{stg}	-65-+150	°C

ELECTRICAL CHARACTERISTICS @ Ta=25°C unless otherwise specified

Parameter	Symbol	Test conditions	MIN	MAX	UNIT
Reverse breakdown voltage	$V_{(BR)R}$	$I_R = 2.5\mu A$	75		V
Reverse voltage leakage current	I_R	$V_R = 70V$ $V_R = 20V$		2.5 25	μA nA
Forward voltage	V_F	$I_F = 1mA$ $I_F = 10mA$ $I_F = 50mA$ $I_F = 150mA$		715 855 1000 1250	mV
Diode capacitance	C_D	$V_R = 0V, f = 1MHz$		2.0	pF
Reverse recovery time	t_{rr}	$I_F = I_R = 10mA, I_R = 1mA$, $V_R = 5V, R_L = 100\Omega$		4	ns

TYPICAL CHARACTERISTICS @ Ta=25°C unless otherwise specified



PACKAGE	SPQ/PCS	CARTON SPQ/PCS	CARTON SIZE/CM	CARTON GW/KG	CARTON NW/KG
SOT-23	3000/REEL	90000	40X20X22	5.00	4.00