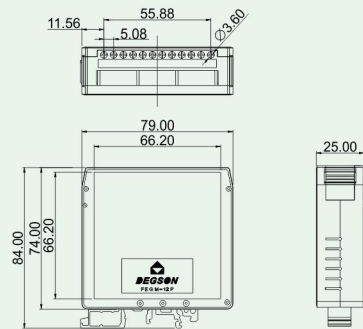


FEGM-12P



- 满足12线电路需求；
- 可拼接结构，操作方便；
- 配套可插拔的2EDGK/RC-5.08，维护性好；
- 带有LED灯孔，方便维护；
- 可固定在NS35/7.5轨道。
- Meet the requirement for 12 pole connection;
- with splice structure, easy operation;
- Mating pluggable 2EDGK/RC-5.08,easy maintenance;
- LED hole available, easy maintenance;
- Can be fixed on NS35/7.5 rail.



技术参数 Technical Data

APPROVAL: CE

型号 Model	线径 Wire range	线数 Poles	IEC60947技术参数 (IEC60947 datasheet)		UL1059技术参数 (UL1059 datasheet)	
			电压(V) Rated voltage	电流(A) Rated current	电压(V) Rated voltage	电流(A) Rated current
FEGM-12P	-	-	-	-	-	-

应用行业 Application

仪器仪表等行业。
Instrument etc.



产品包装方式 Packing

Product model	Pcs./Pkt.
FEGM-12P	50

型号对照 Cross Reference

DEGSON	同行1/ Competitor1	同行2/ Competitor2
FEGM-12P	UEGM-MSTB	-

产品订货 How to order

FEGM	1	2	P	1	4	0	0	AH
Series No.	No. of Pole					Standard		
	1 Single pitch	2 Double pitch				通用色 General Color		
					4	Green	PANTONE 556C	DEGSON 04