

VPG Series 片式导电聚合物固体铝电解电容器耐高压品
 High Voltage Conductive Polymer Aluminum
 Solid Electrolytic Capacitor of SMD Type



■ 特性 Features

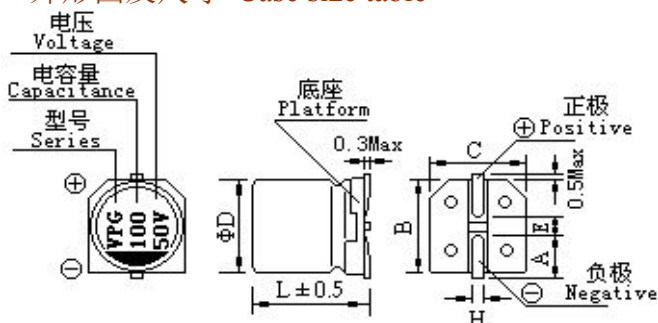
- 耐高电压 High voltage(to100V)
- 高频低阻抗 Low ESR at high frequency range
- 高纹波 High ripple current capability
- 105℃,2000 小时 105℃,2000 hours assured



■ 主要技术性能 Specifications

项目 Items	主要特性 Performance Characteristics	
使用温度范围 Operating Temperature Range	-55~+105℃	
额定电压范围 Rated Voltage Range	25~100V. DC	
标称电容量允许偏差 Capacitance Tolerance	±20% (120Hz, 20℃)	
漏电流(20℃) Leakage Current	施加额定工作电压 2 分钟, $I \leq 0.2 C_R U_R (\mu A)$ After 2 minutes' application of rated voltage, the leakage current is not more than $0.2 C_R U_R$	
损耗角正切值(120Hz 20℃) Dissipation Factor	测试频率 120Hz/温度 20℃, 损耗小于规范值 Less than the specified value at 120Hz, 20℃	
等效串联电阻 Equivalent Series Resistance	测试频率 100KHz/温度 20℃, 等效串联电阻小于规范值 Less than the specified value at 100KHz, 20℃	
耐久性 Load Life(105℃, 2000hrs)	在 105℃ 环境施加额定工作电压 2000 小时后, 电容器符合下表要求。 After 2000 hours' application of rated voltage at +105℃, capacitors meet the characteristics requirements listed .	
	电容量变化率 Capacitance Change	初始值的 ±20% 以内 Within ±20% of the initial value
	漏电流值 Leakage	≤ 规范值 Less than the specified value
	损耗角正切值 Dissipation Factor	≤ 规范值的 150% Less than 150% of the specified value
	等效串联电阻 Equivalent Series Resistance	≤ 规范值的 150% Less than 150% of the specified value
耐湿温特性 Damp heat(Steady state) (60℃, 90~95%RH, 1000hrs)	在温度为 60℃、湿度为 90~95%RH 的环境中, 1000 小时后, 电容器的特性符合下表要求。 60℃, 90 to 95%RH, 1000h, No applied voltage capacitors meet the characteristics requirements listed .	
	电容量变化率 Capacitance Change	初始值的 ±20% 以内 Within ±20% of the initial value
	漏电流值 Leakage	≤ 规范值 Less than the specified value
	损耗角正切值 Dissipation Factor	≤ 规范值的 150% Less than 150% of the specified value
	等效串联电阻 Equivalent Series Resistance	≤ 规范值的 150% Less than 150% of the specified value

■ 外形图及尺寸 Case size table



mm						
φD	L	A	B	C	H	E±0.2
8	9.0	2.9	8.3	8.3	0.8~1.1	3.1
8	11.8	2.9	8.3	8.3	0.8~1.1	3.1
10	12.7	3.2	10.3	10.3	0.8~1.1	4.5

■ 编码和规格 Part number & Specifications

额定电压 Rated Voltage (V)	标称容量 Capacitance (μ F)	产品编码 Part Number	漏电流 (μ A) Leakage Current	损耗 Tan δ (120Hz)	等效串联电阻 (m Ω) ESR 100-300KHz 20 $^{\circ}$ C	耐纹波电流 (mA rms) Max. Ripple Current 100KHz at 105 $^{\circ}$ C	尺寸 Φ D \times L (mm)
25	33	VPG1E330M0812	165	0.12	35	1600	8 \times 11.8
	47	VPG1E470M0812	235	0.12	35	1600	8 \times 11.8
	56	VPG1E560M0812	280	0.12	35	2300	8 \times 11.8
	82	VPG1E820M0812	410	0.12	35	2300	8 \times 11.8
	120	VPG1E121M0808	600	0.12	40	2000	8 \times 9
	150	VPG1E151M0812	750	0.12	35	2400	8 \times 11.8
	220	VPG1E221M1012	1100	0.12	32	2800	10 \times 12.7
	270	VPG1E271M1012	1350	0.12	32	2800	10 \times 12.7
35	39	VPG1V390M0808	273	0.12	42	2600	8 \times 9
	39	VPG1V390M0812	273	0.12	35	2980	8 \times 11.8
	47	VPG1V470M0808	329	0.12	40	2600	8 \times 9
	47	VPG1V470M0812	329	0.12	35	1500	8 \times 11.8
	56	VPG1V560M0808	392	0.12	40	1900	8 \times 9
	56	VPG1V560M0812	392	0.12	35	2980	8 \times 11.8
	68	VPG1V680M0812	476	0.12	35	2980	8 \times 11.8
	68	VPG1V680M1012	476	0.12	32	3800	10 \times 12.7
	82	VPG1V820M0812	574	0.12	35	2300	8 \times 11.8
	82	VPG1V820M1012	574	0.12	32	3800	10 \times 12.7
	100	VPG1V101M0812	700	0.12	35	2980	8 \times 11.8
	100	VPG1V101M1012	700	0.12	32	3800	10 \times 12.7
	150	VPG1V151M1012	1050	0.12	32	2700	10 \times 12.7
	220	VPG1V221M1012	1540	0.12	32	3800	10 \times 12.7
330	VPG1V331M1012	2310	0.12	32	3800	10 \times 12.7	
50	22	VPG1H220M0808	220	0.12	60	1900	8 \times 9
	33	VPG1H330M0808	330	0.12	60	1900	8 \times 9
	33	VPG1H330M0812	330	0.12	50	2200	8 \times 11.8
	39	VPG1H390M0812	390	0.12	50	2700	8 \times 11.8
	39	VPG1H390M1012	390	0.12	45	2900	10 \times 12.7
	47	VPG1H470M1012	470	0.12	45	2900	10 \times 12.7
	68	VPG1H680M1012	680	0.12	45	2900	10 \times 12.7
	82	VPG1H820M1012	820	0.12	45	2900	10 \times 12.7
	100	VPG1H101M1012	1000	0.12	45	2900	10 \times 12.7
63	15	VPG1J150M0808	189	0.12	70	1900	8 \times 9
	22	VPG1J220M0808	277	0.12	70	2300	8 \times 9
	22	VPG1J220M0812	277	0.12	50	2400	8 \times 11.8
	27	VPG1J270M0812	340	0.12	50	2400	8 \times 11.8
	33	VPG1J330M0812	416	0.12	50	2400	8 \times 11.8
	33	VPG1J330M1012	416	0.12	45	2900	10 \times 12.7
	39	VPG1J390M1012	491	0.12	45	2900	10 \times 12.7
	47	VPG1J470M1012	592	0.12	45	2900	10 \times 12.7
80	10	VPG1K100M0812	160	0.12	55	1700	8 \times 11.8
	12	VPG1K120M0812	192	0.12	55	1900	8 \times 11.8
	15	VPG1K150M0812	240	0.12	55	1900	8 \times 11.8
	22	VPG1K220M1012	352	0.12	50	2300	10 \times 12.7
100	6.8	VPG2A6R8M0808	136	0.12	70	1600	8 \times 9
	10	VPG2A100M0812	200	0.12	55	1800	8 \times 11.8
	18	VPG2A180M1012	360	0.12	50	2200	10 \times 12.7
	22	VPG2A220M1012	440	0.12	50	2200	10 \times 12.7
	33	VPG2A330M1012	660	0.12	50	2200	10 \times 12.7

■ 纹波电流频率补偿系数 Frequency coefficient of allowable ripple current

Frequency 频率	120Hz \leq f<1KHz	1KHz \leq f<10KHz	10KHz \leq f<100KHz	100kHz \leq f<500KHz
Coefficient 系数	0.05	0.30	0.70	1.00