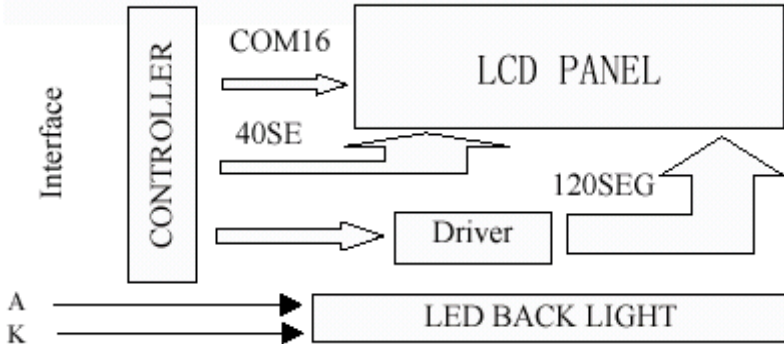
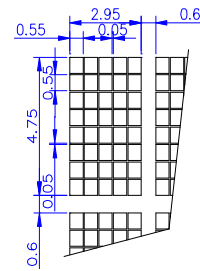


H1=8.8, H2=15.0MAX. YELLOW-GREEN LED Type
H1=6.8, H2=12.0MAX. WHITE LED Type



Features:

- Duty ratio: 1/16
- LCD option: TN/STN/FSTN
- Backlight option: (H1/H2mm): (6.8/12.0) OR (8.8/15)
- Backlight Colour: white or yellow-green

Address code:

| | | | | | | | | | | | | | | | | |
|-------------------|----|----|----|----|----|----|----|----|----|----|----|----|----|----|----|----|
| Display position: | 1 | 2 | 3 | 4 | 5 | 6 | 7 | 8 | 9 | 10 | 11 | 12 | 13 | 14 | 15 | 16 |
| Address line1: | 00 | 01 | 02 | 03 | 04 | 05 | 06 | 07 | 08 | 09 | 0A | 0B | 0C | 0D | 0E | 0F |
| Address line2: | 40 | 41 | 42 | 43 | 44 | 45 | 46 | 47 | 48 | 49 | 4A | 4B | 4C | 4D | 4E | 4F |
| Address line3: | 10 | 11 | 12 | 13 | 14 | 15 | 16 | 17 | 18 | 19 | 1A | 1B | 1C | 1D | 1E | 1F |
| Address line4: | 50 | 51 | 52 | 53 | 54 | 55 | 56 | 57 | 58 | 59 | 5A | 5B | 5C | 5D | 5E | 5F |

| Pin Assignment | | |
|----------------|--------|------------------------|
| Pin no | symbol | Function |
| 1 | Vss | Power supply(GND) |
| 2 | Vdd | Power supply(+) |
| 3 | V0 | Contrast Adjust |
| 4 | RS | Register select signal |
| 5 | R/W | Data read/write |
| 6 | E | Enable signal |
| 7 | DB0 | Data bus line |
| 8 | DB1 | Data bus line |
| 9 | DB2 | Data bus line |
| 10 | DB3 | Data bus line |
| 11 | DB4 | Data bus line |
| 12 | DB5 | Data bus line |
| 13 | DB6 | Data bus line |
| 14 | DB7 | Data bus line |
| 15 | A | LED B/L(+) |
| 16 | K | LED B/L(-) |

| Absolute Maximum Rating | | | | | | | | | |
|---------------------------------|-----------|-----------|-------|---------|-------|-------|-----|-----|---|
| Item | symbol | condition | Min | Max | Units | | | | |
| Supply for logic voltage | Vdd-Vss | 25°C | -0.3 | 7 | V | | | | |
| LCD driving supply voltage | Vdd-Vee | 25°C | -0.3 | 5.5 | V | | | | |
| Input voltage | Vin | 25°C | -0.3 | Vdd+0.3 | V | | | | |
| Electrical Characteristics | | | | | | | | | |
| Item | symbol | condition | Min | Typical | Max | Units | | | |
| Power supply voltage | Vdd-vss | 25°C | 2.7 | ----- | 5.5 | V | | | |
| LCD operation voltage | VOP | Top | N | W | N | W | V | | |
| | | -20°C | ----- | 7.1 | --- | 7.5 | -- | 7.9 | V |
| | | 0°C | 4.3 | ----- | 4.6 | ----- | 4.9 | -- | V |
| | | 25°C | 3.9 | 6.1 | 4.2 | 6.4 | 4.5 | 6.7 | V |
| | | 50°C | 3.6 | ----- | 3.9 | ----- | 4.2 | -- | V |
| 70°C | ----- | 5.7 | --- | 6 | --- | 6.3 | V | | |
| LCM Current consumption(no b/l) | Idd | Vdd=5v | ----- | ----- | ----- | mA | | | |
| Backlight current consumption | LED/edge | VB/L | ----- | ----- | --- | mA | | | |
| | LED/array | VB/L | ----- | ----- | ----- | mA | | | |