

PRODUCT SPECIFICATION

Model No.: FYL-5014UWC1C-10

Descriptions:
■ Dice material: InGaN.
■ Emitting Color: Super bright White.
■ Device Outline: Φ5mm round type.
■ Lens Type: Water clear.



CUSTOMER APPROVED SIGNATURES	APPROVED BY	CHECKED BY	PREPARED BY

NINGBO FORYARD OPTOELECTRONICS CO.,LTD.

Add: NO.115 Qixin Road Ningbo Zhejiang China

Zip: 315051

Tel: 0086-574-87933652 87927870 87922206

Fax: 0086-574-87927917

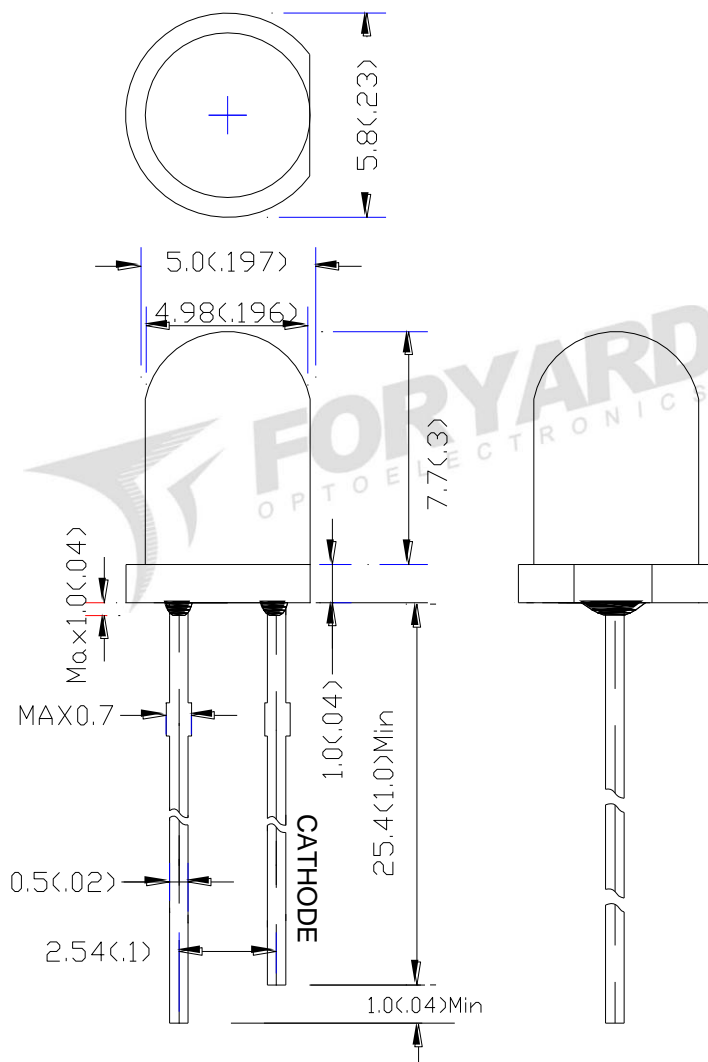
E-mail: Sales@foryard.com (General)

[Http://www.foryard.com](http://www.foryard.com)

■ **Features**

1. Low power consumption.
2. High efficiency.
3. General purpose leads.
4. High intensity.
5. RoHs compliant.

■ **Package configuration**



Notes:

1. All dimensions are millimeters (inches)
2. Tolerance is $\pm 0.25\text{mm}(.010\text{'})$ unless otherwise noted.
3. The specifications, characteristics and technical data described in the datasheet are subject to change without prior notice.

■ Absolute maximum ratings(Ta=25 °c)

Parameter	MAX.	Unit
Power Dissipation	90	mW
Peak Forward Current (1/10 Duty Cycle, 0.1ms Pulse Width)	100	mA
Continuous Forward Current	25	mA
Derating Linear From 50°C	0.4	mA/°C
Reverse Voltage	5	V
Operating Temperature Range	-40°C to +85°C	
Storage Temperature Range	-40°C to +100°C	
Lead Soldering Temperature[4mm(.157") From Body]	260°C for 5 Seconds	

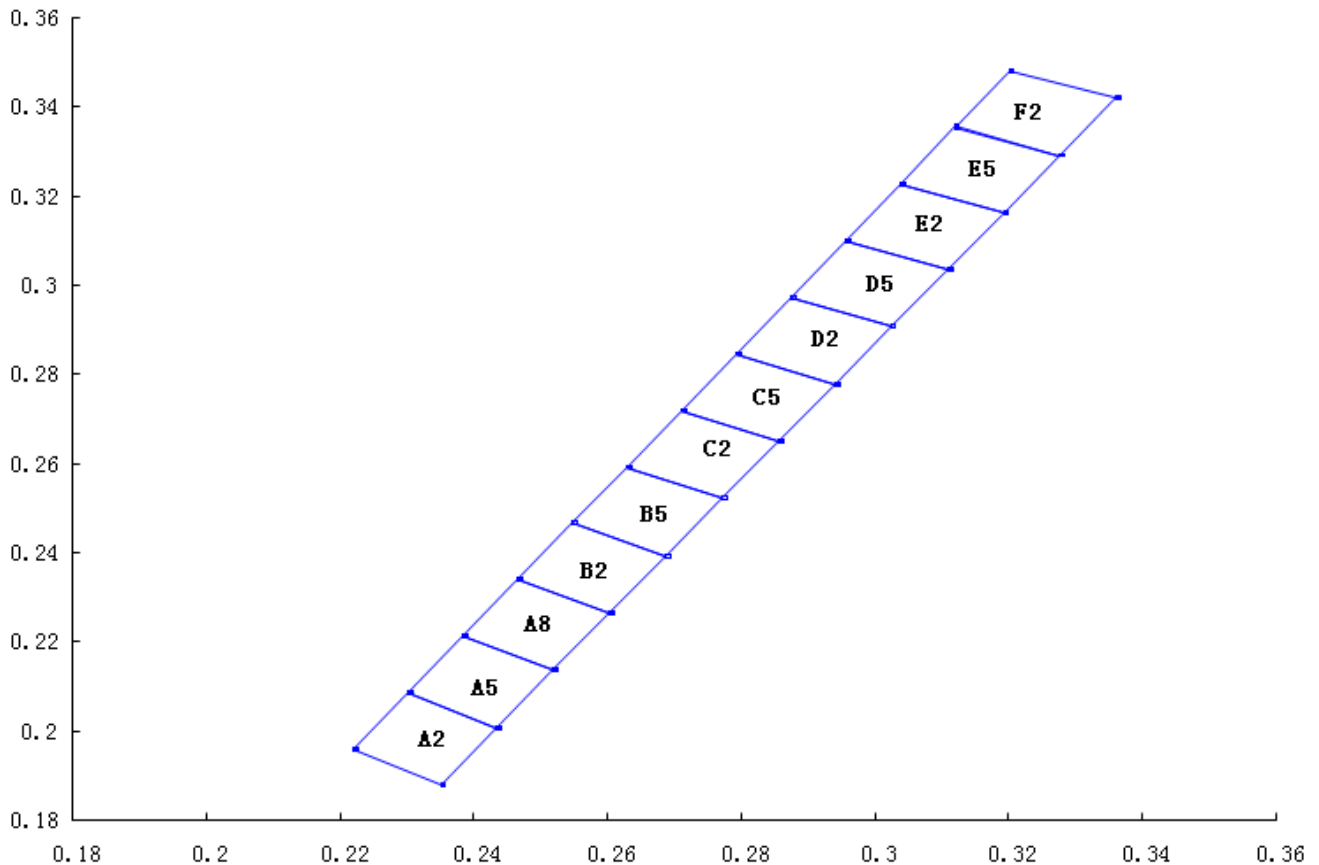
■ Electrical and optical characteristics(Ta=25 °c)

Parameter	Symbol	Min.	Typ.	Max.	Unit	Test Condition
Luminous Intensity	I _v	22500	28000	-	mcd	I _F =20mA
Viewing Angle	2θ _{1/2}	-	10	-	Deg	
Chromaticity coordinates	X	-	0.29	-		
	Y	-	0.30	-		
Color temperature	CCT	-	9500	-	K	
Forward Voltage	V _F	2.8	3.2	3.4	V	
Reverse Current	I _R			10	μA	V _R =5V

■ White Color Diagram

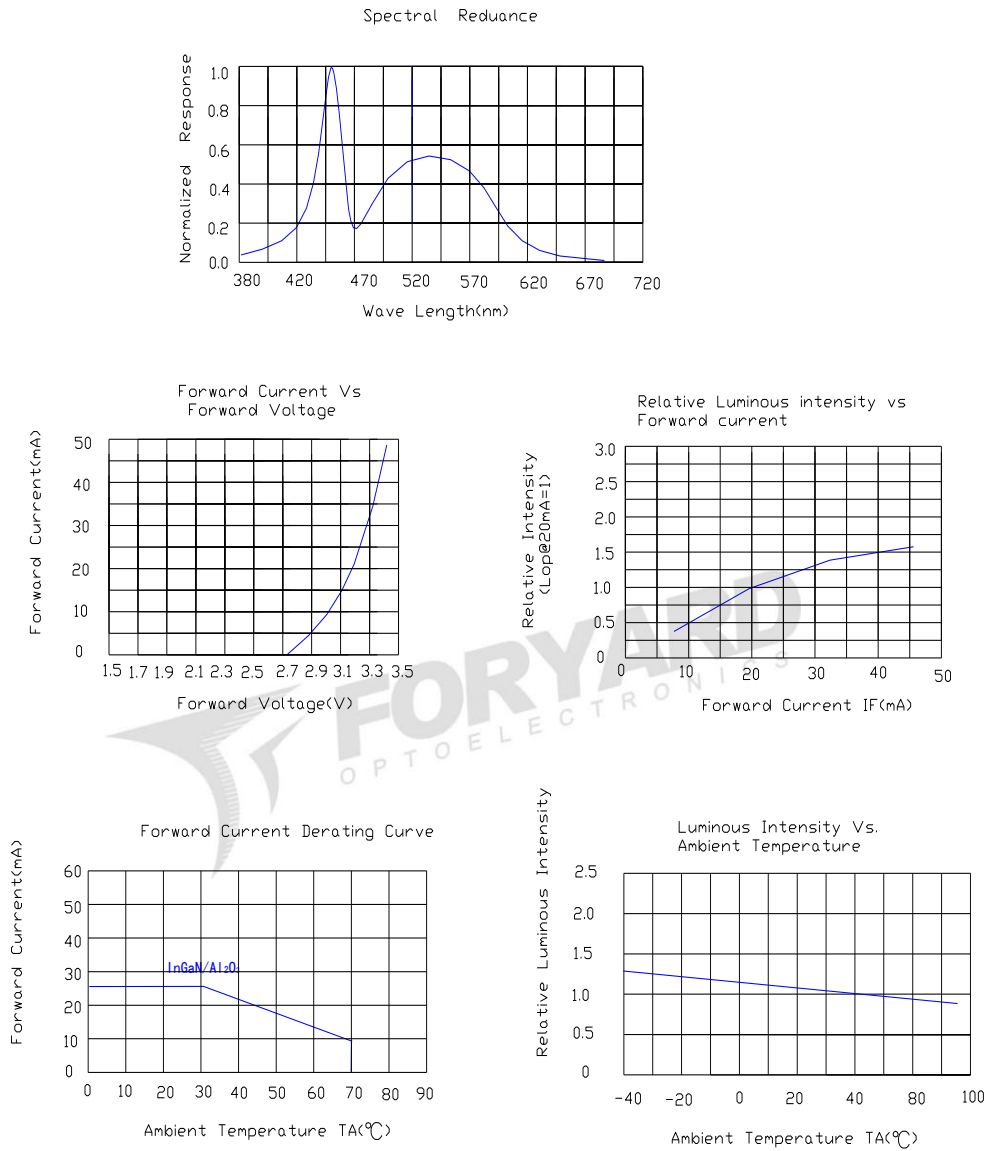
The table of chromaticity coordinate@20mA

BIN	CIE	Top	Right	Bott	Left	BIN	CIE	Top	Right	Bott	Left
A2	X	0.2302	0.2434	0.2350	0.2220	C5	X	0.2792	0.2939	0.2855	0.2710
	Y	0.2087	0.2008	0.1880	0.1960		Y	0.2847	0.2778	0.2650	0.2720
A5	X	0.2383	0.2518	0.2434	0.2302	D2	X	0.2873	0.3023	0.2939	0.2792
	Y	0.2213	0.2137	0.2008	0.2087		Y	0.2973	0.2907	0.2778	0.2847
A8	X	0.2465	0.2602	0.2518	0.2383	D5	X	0.2955	0.3108	0.3023	0.2873
	Y	0.2340	0.2265	0.2137	0.2213		Y	0.3100	0.3035	0.2907	0.2973
B2	X	0.2547	0.2687	0.2602	0.2465	E2	X	0.3037	0.3192	0.3108	0.2955
	Y	0.2467	0.2393	0.2265	0.2340		Y	0.3227	0.3163	0.3035	0.3100
B5	X	0.2628	0.2771	0.2687	0.2547	E5	X	0.3118	0.3276	0.3192	0.3037
	Y	0.2593	0.2522	0.2393	0.2467		Y	0.3358	0.3292	0.3163	0.3227
C2	X	0.2710	0.2855	0.2771	0.2628	F2	X	0.3200	0.3360	0.3276	0.3118
	Y	0.2720	0.2650	0.2522	0.2593		Y	0.3480	0.3420	0.3292	0.3353

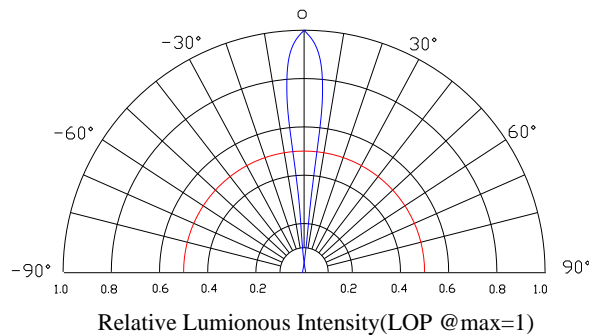


■ Typical Electrical Characteristics Curves

(25 °c Ambient Temperature Unless Otherwise Noted)

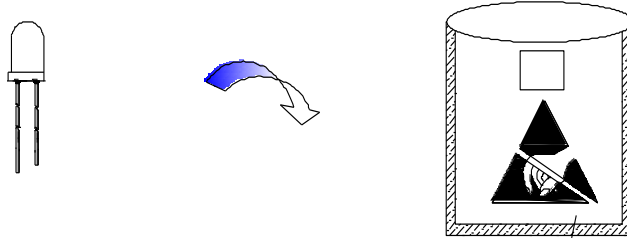


Radiation pattern.

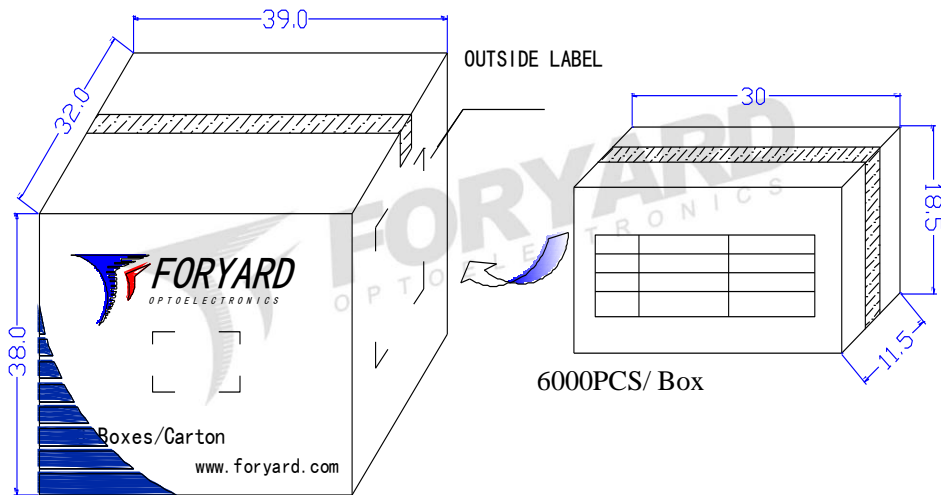
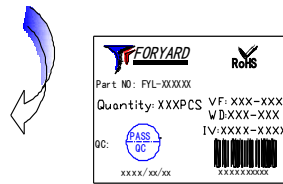


Model No.	FYL-5014UWC1C-10
Rev.	A

■ LAMP PACKING.



5mm 500PCS/Polybag



36000PCS/ Carton



OUTSIDE LABEL