

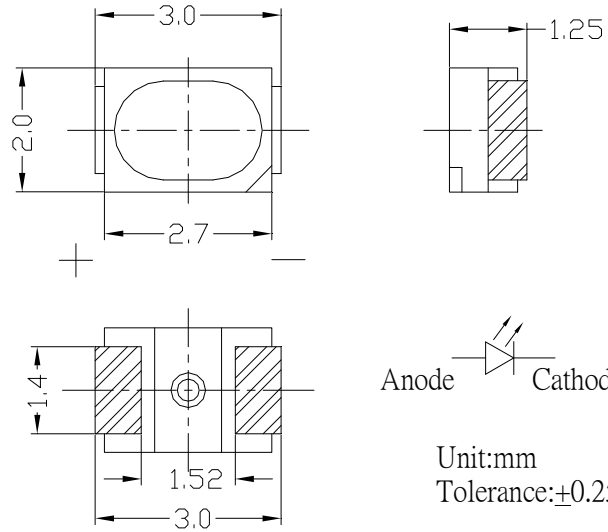
**■Features**

- High Luminous PLCC2 Top SMD LEDs
- 3.0x2.0x1.25mm Standard Directivity
- Superior Weather-resistance
- Water Clear Type
- 2Kpcs / Reel

**■Applications**

- Electronic Signs And Signals
- Small Area Illuminations
- Back Lighting
- Other Lighting

**■Outline Dimension**

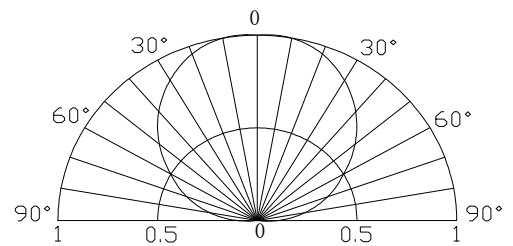


**■Absolute Maximum Rating**

(Ta=25°C)

Item	Symbol	Value		Unit
		W/M/B/PG	Y/R	
DC Forward Current	I <sub>F</sub>	25	25	mA
Pulse Forward Current*	I <sub>FP</sub>	100	100	mA
Reverse Voltage	V <sub>R</sub>	5	5	V
Power Dissipation	P <sub>D</sub>	90	65	mW
Operating Temperature	Topr	-25 ~ +85		°C
Storage Temperature	Tstg	-35~ +85		°C
Lead Soldering Temperature	Tsol	260°C/5sec		-

**■Directivity**



\*Pulse width Max.10ms Duty ratio max 1/10

**■Electrical -Optical Characteristics**

(Ta=25°C)

Part Number	Color		V <sub>F</sub> (V)			I <sub>R</sub> (μA)	I <sub>v</sub> (mcd)			λD (nm)			2θ1/2(deg)
			Min.	Typ.	Max.	Max.	Min.	Typ.	Max.	Min.	Typ.	Max.	Typ.
			I <sub>F</sub> =20mA			V <sub>R</sub> =5V		I <sub>F</sub> =20mA					
OSW43020C1C	Pure White	W4	2.8	3.2	3.6	10	1400	1600	1800	-	6500K	-	120
OSM53020C1C	Warm White	M5	2.8	3.2	3.6	10	1400	1600	1800	-	3000K	-	120
OSB53020C1C	Blue	B5	2.8	3.2	3.6	10	100	200	300	465	470	475	120
OSG53020C1C	Pure Green	G5	2.8	3.0	3.6	10	400	600	800	520	525	530	120
OSY53020C1C	Yellow	Y5	1.8	2.1	2.6	10	100	200	300	585	590	595	120
OSR53020C1C	Red	R5	1.8	2.1	2.6	10	100	200	300	620	625	630	120

\*1 Tolerance of measurements of chromaticity coordinate is ±10%

\*2 Tolerance of measurements of dominant wavelength is ±1nm

\*3 Tolerance of measurements of luminous intensity is ±15%

\*4 Tolerance of measurements of forward voltage is ±0.1V