

## LED AR111 G53 10.0W-72W D 3000K 40D 700lm

- G53 Socket
- 12 AC/DCV
- 50.000 hours Lifetime
- Dimmable
- 86% Energy Saving
- Luminous Flux: 700 lm
- Equivalent to 72W incandescent bulb

**Product Number** 52346

**General Data**

Lamp Socket G53

Design AR111

**Electric Data**

Wattage (W) 10.0

Wattage Equivalent (W) 72

Voltage (V) 12V AC/DC

Dimmable yes

Power Factor 0.90

Operating Frequency (Hz) 50/60

**Geometric Data**

Length (mm) 58

Diameter (mm) 111

Weight (g) 90

**Photometric Data**

Luminous Flux (lm) 700

CRI 90

CCT (K) 3000

Luminous Intensity (cd) 1600

Beam Angle (°) 40

Luminous Efficacy (lm/W) 72

Lifetime (hrs) 50.000

Switching Cycle 100.000

Operating Temperature -20°C to 40°C

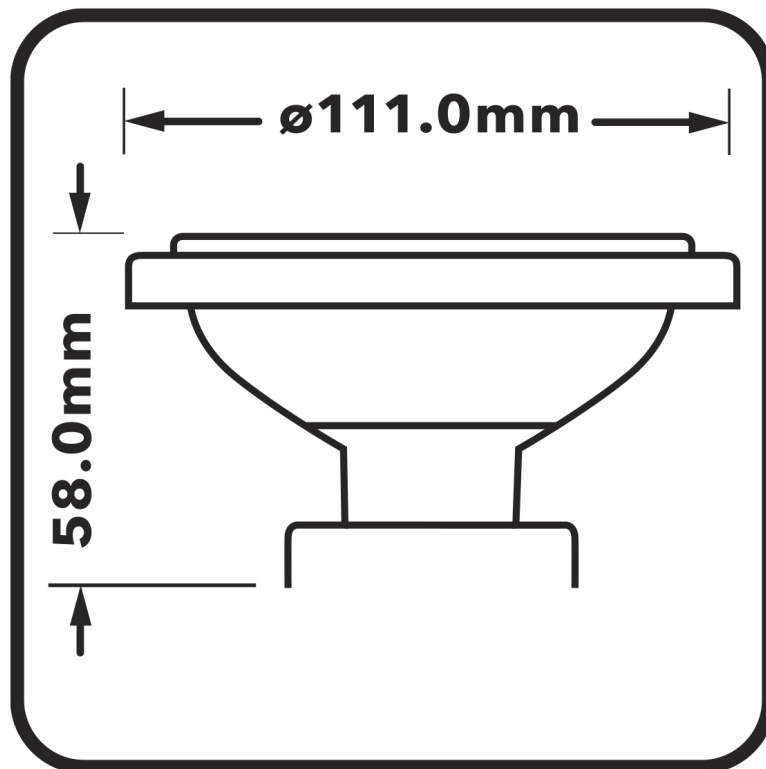


06/04/2017

## Lifestyle image

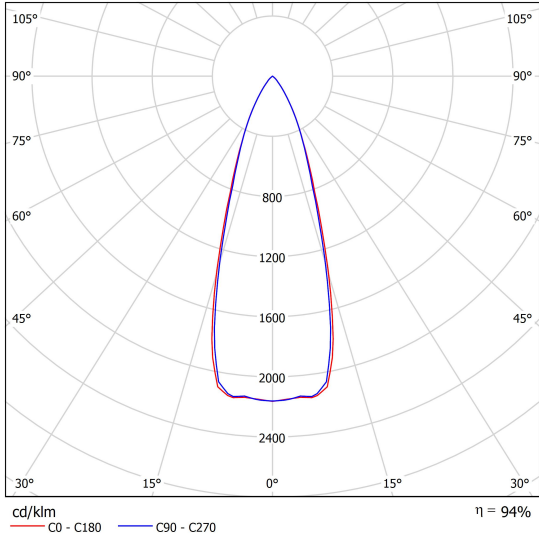


## Technical Drawings



06/04/2017

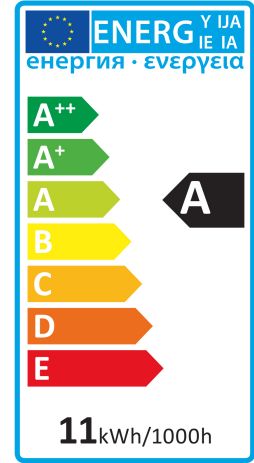
### Photometric Diagrams



0.5	0.31 0.32	E(0°) 6531 E(C90) 17.2° 2855 E(C0) 17.7° 2843
1.0	0.62 0.64	E(0°) 1633 E(C90) 17.2° 714 E(C0) 17.7° 711
1.5	0.93 0.96	E(0°) 726 E(C90) 17.2° 317 E(C0) 17.7° 316
2.0	1.24 1.28	E(0°) 408 E(C90) 17.2° 178 E(C0) 17.7° 178
2.5	1.55 1.60	E(0°) 261 E(C90) 17.2° 114 E(C0) 17.7° 114
3.0	1.86 1.91	E(0°) 181 E(C90) 17.2° 79 E(C0) 17.7° 79

Distance [m]      Cone Diameter [m]      Illuminance [lx]  
 — C0 - C180 (Half-value Angle: 35.4°)  
 — C90 - C270 (Half-value Angle: 34.4°)

### Energy Rating



### Technical Packaging Details

**Barcode**  
0023942523468

**EAN 128**  
(02)00023942523468(37)12(91)814

**EAN 14**  
50023942523463

**Pack Dimensions(HxWxL)**  
68 x 125 x 125mm (mm)

**Pack Weight**  
150g (g)

**MOQ**  
1

**Carton Dimensions (HxWxL)**  
225 x 275 x 270mm (mm)

**Cartons/Pallet**  
32

**Layers/Pallet**  
4

**Units/Pallet**  
384

06/04/2017