

## LED AR111 G53 10.0W-84W D 2700K 12D 675lm

- G53 Socket
- 12 AC/DCV
- 50,000 hours Lifetime
- Dimmable
- 88% Energy Saving
- Luminous Flux: 675 lm
- Equivalent to 84W incandescent bulb
- CRI $\geq$ 90
- 5 Years Warranty



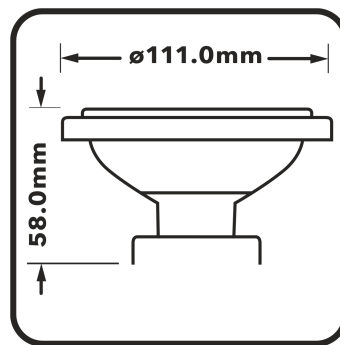
<b>Product Number</b>	<b>52340</b>
<b>General Data</b>	
Lamp Socket	G53
Design	AR111
<b>Electric Data</b>	
Wattage (W)	10.0
Wattage Equivalent (W)	84
Voltage (V)	12V AC/DC
Dimmable	yes
Power Factor	0.90
Operating Frequency (Hz)	50/60
<b>Geometric Data</b>	
Length (mm)	58
Diameter (mm)	111
Weight (g)	90
<b>Photometric Data</b>	
Luminous Flux (lm)	675
CRI	90
CCT (K)	2700
Luminous Intensity (cd)	5500
Beam Angle (°)	12
Luminous Efficacy (lm/W)	69
Lifetime (hrs)	50,000
Switching Cycle	100,000
Operating Temperature	-20°C to 40°C



## Product image



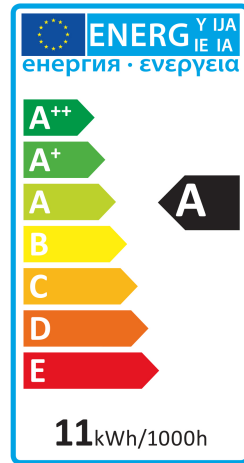
## Technical drawing



## Application image



### Energy Rating



### Technical Packaging Details

**Barcode**

023942523406

**EAN 128**

(02)00023942523406(37)12(91)814

**EAN 14**

50023942523401

**Pack Dimensions(HxWxL)**

68 x 125 x 125mm (mm)

**Pack Weight**

150g (g)

**MOQ**

1

**Carton Dimensions (HxWxL)**

225 x 275 x 270mm (mm)

**Cartons/Pallet**

32

**Layers/Pallet**

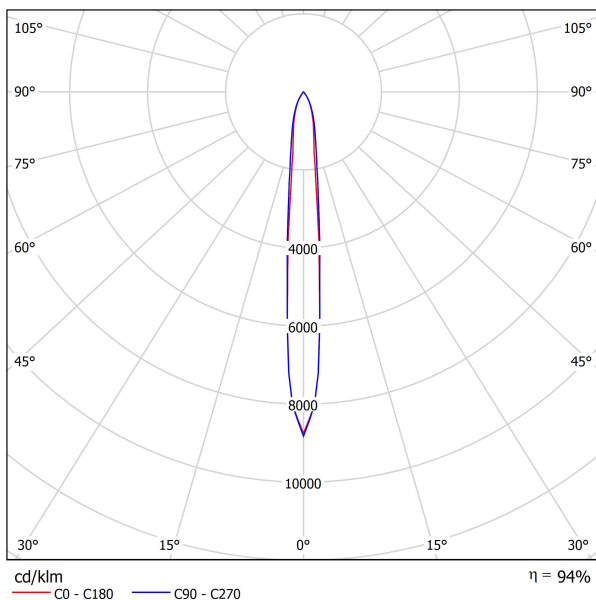
4

**Units/Pallet**

384



### Photometric Diagrams



Distance [m]	Cone Diameter [m]	Illuminance [lx]
0.5	0.09	E(0°) 24900
	0.09	E(C90) 12561
	0.09	E(C0) 5.3° 12358
1.0	0.19	E(0°) 6225
	0.19	E(C90) 5.4° 3140
	0.19	E(C0) 5.3° 3090
1.5	0.28	E(0°) 2767
	0.28	E(C90) 5.4° 1396
	0.28	E(C0) 5.3° 1373
2.0	0.38	E(0°) 1556
	0.37	E(C90) 5.4° 785
	0.37	E(C0) 5.3° 772
2.5	0.47	E(0°) 996
	0.46	E(C90) 5.4° 502
	0.46	E(C0) 5.3° 494
3.0	0.57	E(0°) 692
	0.56	E(C90) 5.4° 349
	0.56	E(C0) 5.3° 343

Distance [m]      Cone Diameter [m]      Illuminance [lx]

— C0 - C180 (Half-value Angle: 10.6°)  
— C90 - C270 (Half-value Angle: 10.8°)