

Verbatim LED AR111 G53 10.5W 2700K 12Deg 680lm

- G53 Socket
- 12 AC/DCV
- 40,000 hours Lifetime
- Dimmable
- 88% Energy Saving
- Luminous Flux: 680 lm
- Equivalent to 85W incandescent bulb

Product Number 52329

General Data

Lamp Socket	G53
Design	AR111 GU53

Electric Data

Wattage (W)	10.5
Wattage Equivalent (W)	85
Voltage (V)	12V AC/DC
Dimmable	yes
Power Factor	0.90
Operating Frequency (Hz)	50/60

Geometric Data

Length (mm)	57
Diameter (mm)	111
Weight (g)	100

Photometric Data

Luminous Flux (lm)	680
Luminous Flux 90° Cone (lm)	680
CRI	80
CCT (K)	2700
Luminous Intensity (cd)	6000
Beam Angle (°)	12
Luminous Efficacy (lm/W)	67
Lifetime (hrs)	40,000
Switching Cycle	100,000

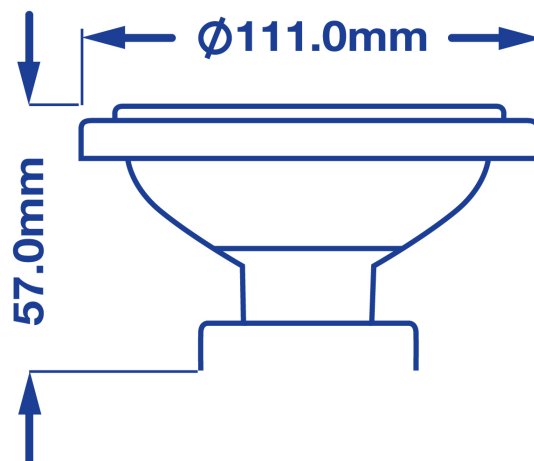


08/06/2017

Lifestyle image

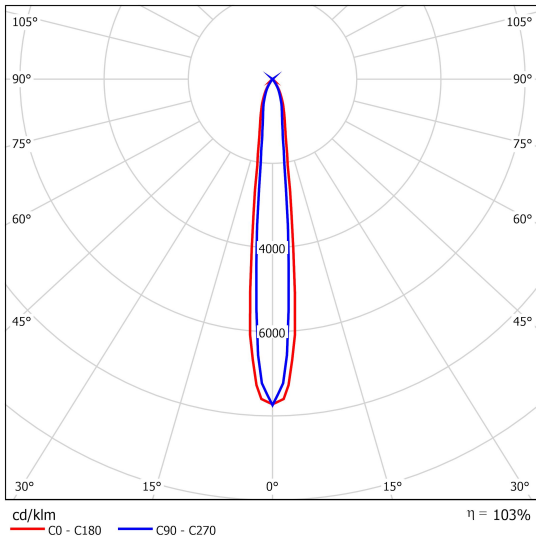
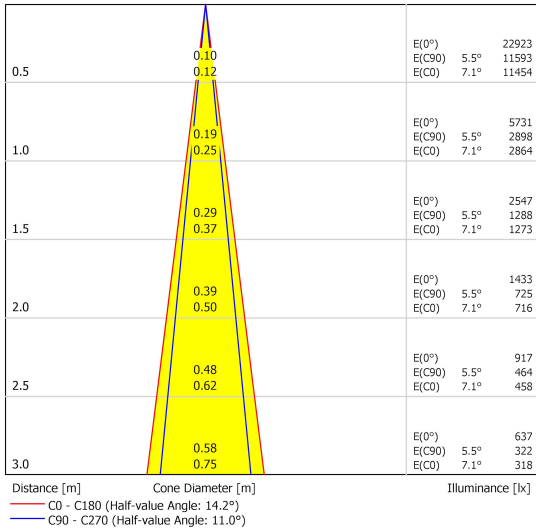


Technical Drawings

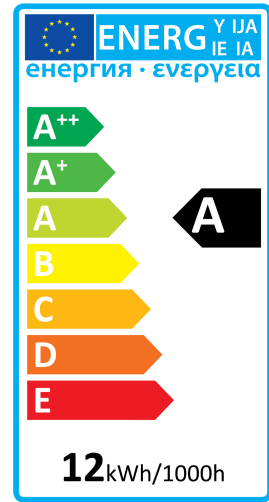


08/06/2017

Photometric Diagrams



Energy Rating



Technical Packaging Details

Barcode
023942523291

EAN 128
(02)00023942523291(37)12(91)814

EAN 14
50023942523296

Pack Dimensions(HxWxL)
H68*W125*L125mm (mm)

Pack Weight
160 (g)

MOQ
12

Carton Dimensions (HxWxL)
H 225*W275*L270 (mm)

Cartons/Pallet
32

Layers/Pallet
4

Units/Pallet
384

08/06/2017