

## LED AR111 G53 10.0W-75W D 4000K 25D 735lm

- G53 Socket
- 12 AC/DCV
- 50.000 hours Lifetime
- Dimmable
- 87% Energy Saving
- Luminous Flux: 735 lm
- Equivalent to 75W incandescent bulb
- CRI $\geq$ 90
- 5 Years Warranty

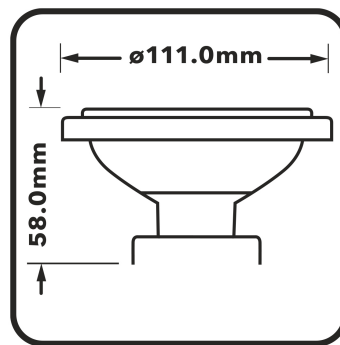
<b>Product Number</b>	<b>52344</b>
<b>General Data</b>	
Lamp Socket	G53
Design	AR111
<b>Electric Data</b>	
Wattage (W)	10.0
Wattage Equivalent (W)	75
Voltage (V)	12V AC/DC
Dimmable	yes
Power Factor	0.90
Operating Frequency (Hz)	50/60
<b>Geometric Data</b>	
Length (mm)	58
Diameter (mm)	111
Weight (g)	90
<b>Photometric Data</b>	
Luminous Flux (lm)	735
CRI	90
CCT (K)	4000
Luminous Intensity (cd)	2500
Beam Angle (°)	25
Luminous Efficacy (lm/W)	75
Lifetime (hrs)	50.000
Switching Cycle	100.000
Operating Temperature	-20°C to 40°C



## Product image



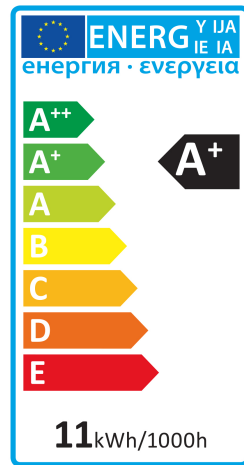
## Technical drawing



## Application image



### Energy Rating

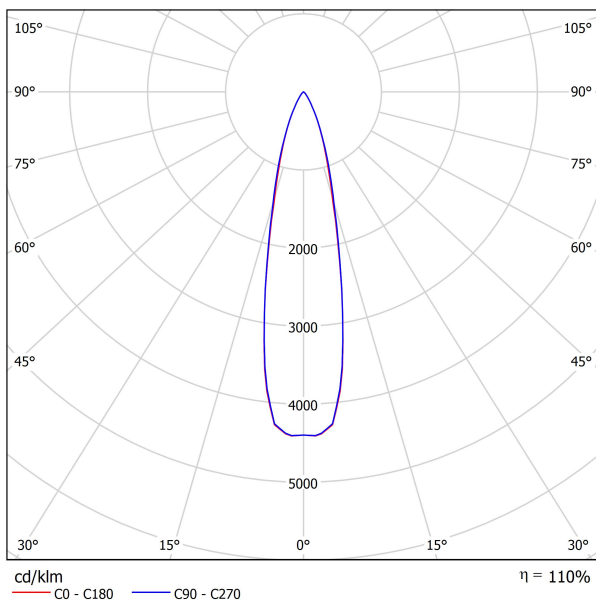


### Technical Packaging Details

<b>Barcode</b>	0023942523444
<b>EAN 128</b>	(02)00023942523444(37)12(91)814
<b>EAN 14</b>	50023942523449
<b>Pack Dimensions(HxWxL)</b>	68 x 125 x 125mm (mm)
<b>Pack Weight</b>	150g (g)
<b>MOQ</b>	1
<b>Carton Dimensions (HxWxL)</b>	225 x 275 x 270mm (mm)
<b>Cartons/Pallet</b>	32
<b>Layers/Pallet</b>	4
<b>Units/Pallet</b>	384



### Photometric Diagrams



Distance [m]	Cone Diameter [m]	Beam Type	E(0°)	E(C90)	E(C0)	Half-value Angle	Illuminance [lx]
0.5	0.21	C0 - C180	13656	6471	6482	24.0°	
1.0	0.43	C90 - C270	3414	1618	1620	24.2°	
1.5	0.64	C0 - C180	1517	719	720	24.0°	
2.0	0.86	C90 - C270	853	404	405	24.2°	
2.5	1.07	C0 - C180	546	259	259	24.0°	
3.0	1.29	C90 - C270	379	180	180	24.2°	