

## Verbatim LED GU5.3 5.5W 4000K 35D 450lm

- GU5.3 Socket
- 12 AC/DCV
- 40,000 hours Lifetime
- Dimmable
- 87% Energy Saving
- Luminous Flux: 470 lm
- Equivalent to 41W incandescent bulb

**Product Number** **52318**

**General Data**

Lamp Socket	GU5.3
Design	MR16 GU5.3

**Electric Data**

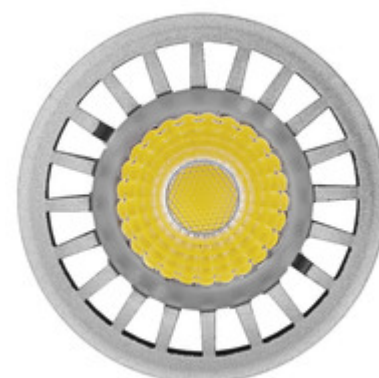
Wattage (W)	5.5
Wattage Equivalent (W)	41
Voltage (V)	12V AC/DC
Dimmable	yes
Power Factor	0.90
Operating Frequency (Hz)	50/60

**Geometric Data**

Length (mm)	48.6
Diameter (mm)	50
Weight (g)	40

**Photometric Data**

Luminous Flux (lm)	470
Luminous Flux 90° Cone (lm)	450
CRI	80
CCT (K)	4000
Luminous Intensity (cd)	1170
Beam Angle (°)	35
Luminous Efficacy (lm/W)	85
Lifetime (hrs)	40,000
Switching Cycle	100,000

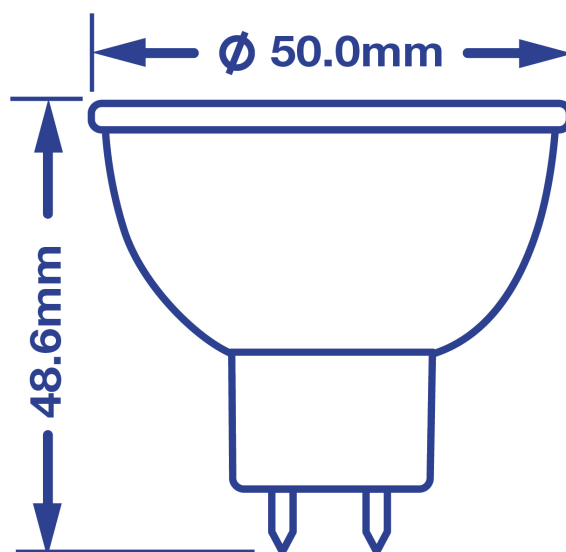


06/02/2018

## Lifestyle image

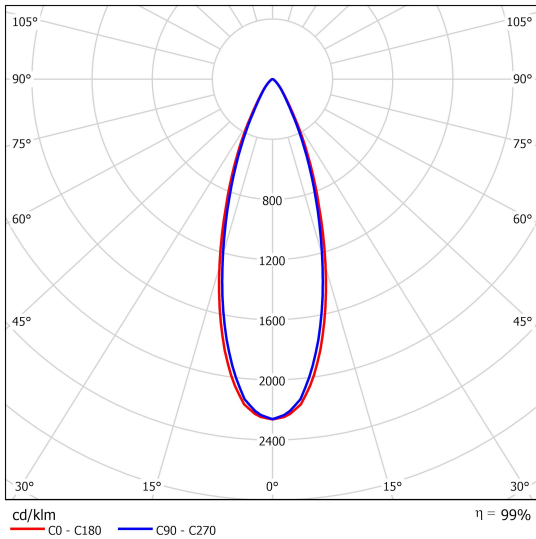
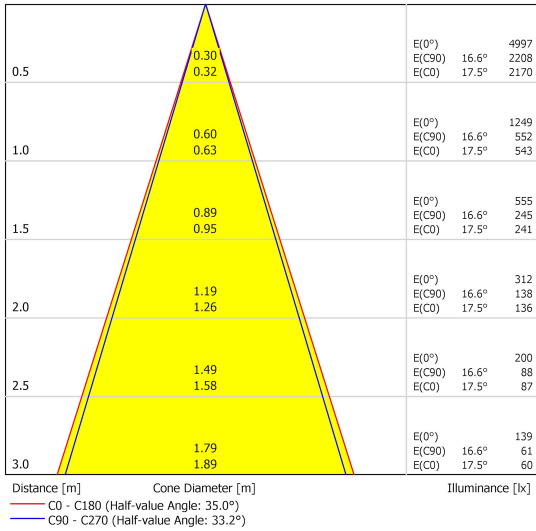


## Technical Drawings

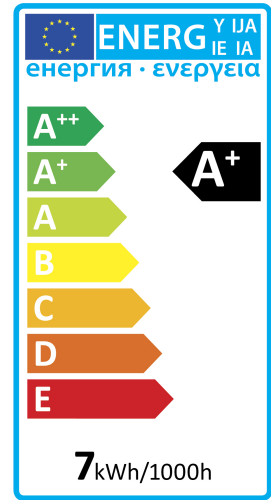


06/02/2018

### Photometric Diagrams



### Energy Rating



### Technical Packaging Details

**Barcode**  
023942523185

**EAN 128**  
(02)00023942523185(37)10(91)814

**EAN 14**  
50023942523180

**Pack Dimensions(HxWxL)**  
H 67 \* W 51 \* L 51 mm (mm)

**Pack Weight**  
52 (g)

**MOQ**  
10

**Carton Dimensions (HxWxL)**  
H 60 \* W 145 \* L 280 mm (mm)

**Cartons/Pallet**  
221

**Layers/Pallet**  
13

**Units/Pallet**  
2210

06/02/2018