

## Verbatim LED Square Downlight 140mm 12W 3000K 1200lm White DIM

- Energy saving alternative to CFL downlights
- 50,000 hours lifetime (L70B50)
- Direct mains voltage connection (220-240V)
- Light output of 1200lm
- 3000K warm white light
- Cut-out dimensions: 126 x 126mm
- Flicker-free
- Phase-cut dimmable driver included
- 5 Years Warranty

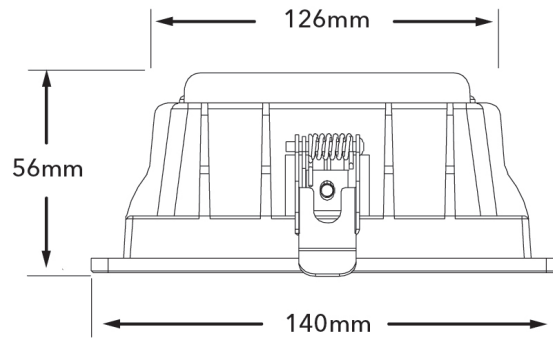
<b>Product Number</b>	<b>52979</b>
<b>General Data</b>	
Installation type	Recessed
Housing material	Aluminum
Housing colour	White (RAL9010)
Protection class	IP20 (IP40 room side)
Dimmable	yes
<b>Geometric Data</b>	
Length (mm)	140
Height (mm)	56
Width (mm)	140
Weight (g)	320
Cut-out dimensions (mm)	126 x 126
<b>Electric Data</b>	
Wattage (W)	12
Voltage (V)	220-240
Current (mA)	57 (60 max)
Power Factor	0.85
Operating Frequency (Hz)	50/60
Safety Class	Class II
Power supply	External
<b>Photometric Data</b>	
Luminous Flux (lm)	1200
CRI	80
CCT (K)	3000
Luminous Efficacy (lm/W)	100
<b>Lifespan</b>	
Lifetime (hrs)	50,000 (L70B50)
Switching Cycle	100,000
<b>Mechanical Parameters</b>	
Glow wire test	850°C



## Product image




## Technical drawing



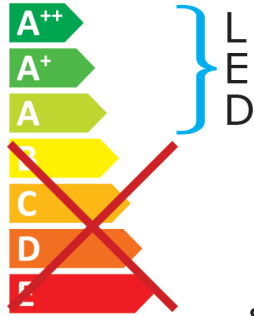
## Application image




### Energy Rating



This luminaire contains built-in LED lamps.





The lamps cannot be changed in the luminaire.

Verbatim 52979
874/2012

### Technical Packaging Details

<b>Barcode</b>	023942529798
<b>EAN 128</b>	(02)00023942529798(37)12(91)52
<b>EAN 14</b>	50023942529793
<b>Pack Dimensions(HxWxL)</b>	178 x 178 x 70 (mm)
<b>Pack Weight</b>	523 (g)
<b>MOQ</b>	1
<b>Carton Dimensions (HxWxL)</b>	720 x 190 x 241 (mm)
<b>Cartons/Pallet</b>	21
<b>Layers/Pallet</b>	3
<b>Units/Pallet</b>	288



### Photometric Diagrams

