

Verbatim LED Downlight 104mm 11W 4000K 850lm

- Energy saving alternative to CFL downlights
- 40,000 hours lifetime
- Direct mains voltage connection (220-240V)
- Light output of 850lm
- 4000K neutral white light

Product Number 52448

General Data

Installation Type	Recessed
Housing material	Aluminium / PS Diffuser
Housing colour	White
Protection class	IP20
Dimmable	no

Geometric Data

Height (mm)	52
Outer diameter (mm)	104
Inner diameter (mm)	90
Weight (g)	174

Electric Data

Wattage (W)	11
Voltage (V)	220-240
Current (mA)	55
Power Factor	0.9
Operating Frequency (Hz)	50/60
Safety Class	Class II
Power supply	External

Photometric Data

Luminous Flux (lm)	850
CRI	80
CCT (K)	4000
Luminous Efficacy (lm/W)	77.3
Luminous Intensity (cd)	580

Lifespan

Lifetime (hrs)	40,000
Switching Cycle	100,000

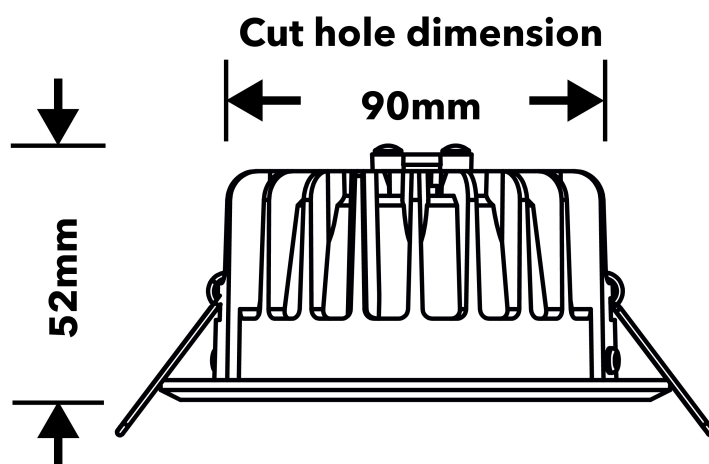
Mechanical Parameters

Glow wire test	650°C
----------------	-------




06/04/2017

Technical Drawings




06/04/2017


Energy Rating



This luminaire contains built-in LED lamps.



LED



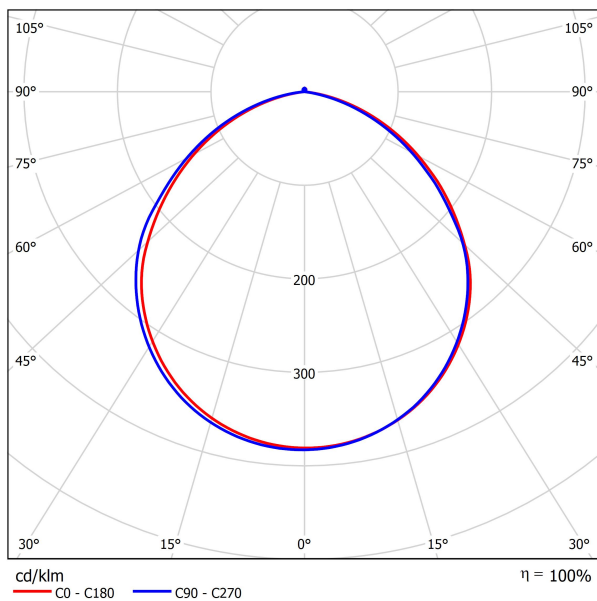
The lamps cannot be changed in the luminaire.

Verbatim 52448
874/2012

Technical Packaging Details

Barcode	023942524489
EAN 128	(02)00023942524489(37)04(91)204
EAN 14	50023942524484
Pack Dimensions(HxWxL)	83 x 110 x 110 (mm)
Pack Weight	300 (g)
MOQ	4
Carton Dimensions (HxWxL)	180 x 120 x 234 (mm)
Cartons/Pallet	135
Layers/Pallet	5
Units/Pallet	540

Photometric Diagrams



Distance [m]	Cone Diameter [m]	E(0°)	E(C90)	E(C0)
0.5	1.37	1269	53.8°	132
	1.33	138	53.1°	138
1.0	2.73	317	53.8°	33
	2.66	34	53.1°	34
1.5	4.10	141	53.8°	15
	4.00	15	53.1°	15
2.0	5.47	79	53.8°	8
	5.33	9	53.1°	9
2.5	6.83	51	53.8°	5
	6.66	6	53.1°	6
3.0	8.20	35	53.8°	4
	7.99	4	53.1°	4

Distance [m] Cone Diameter [m] Illuminance [lx]

— C0 - C180 (Half-value Angle: 106.2°)
— C90 - C270 (Half-value Angle: 107.6°)

06/04/2017