

Smart LED Solar&Inductive Wall Light

Product specification



Applications

Widely used in gates, courtyards, walls, and any other place where with plenty of sunlight. It can be applied to lighting and decoration at night.

Product Features

- **Aspect:** the model has three colors :ceramic white ,matte black , sliver grey .Creative planted design , beautiful appearance.
- **Material:**Material using ABS plastic ,which can be applied to the outside because of its excellent chemical properties.
- **Light source:** the new general technology for COB, high luminous efficacy (120lm/W), low lumens depreciation.(works 50000H the luminous keep 70% above of begining)
- **Using polycrystalline scilicon solar cells,** high electrical efficacy(17.4%),18650 lithium bettery inside,non-memory effect, it can be charged 800 times above,long discharge time.
- **Controlor:**adanced control-system be used on the lamp,it can realize three types with the infrared sensing.
- **PIR:** PIR detector is applied to the lamp,sensing distance from 0 to 8 meters.
- **Atmosphere lamp:** the colorful atmosphere lamp(warm white/red/green/blue) backside is designed to decorate the walls at night.



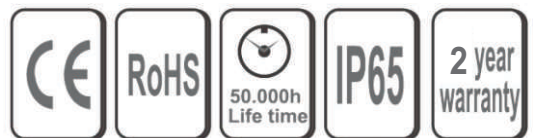
Smart LED Solar&Inductive Wall Light

Working Sketch



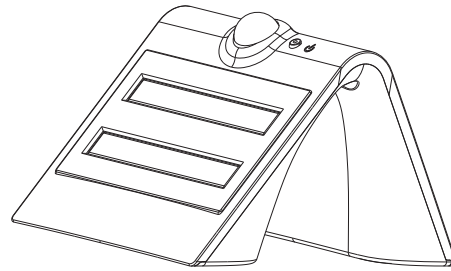
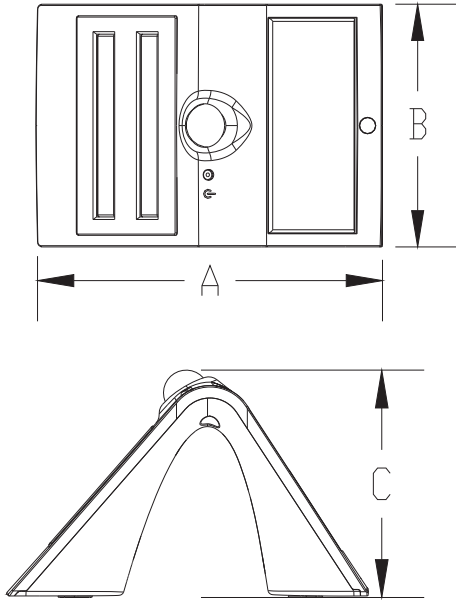
Solar LED Wall Light

IP65 waterproof for outdoor
Wireless, easy to install
Solar Energy Powered
With Sensor Function
OEM Service



Smart LED Solar&Inductive Wall Light

Dimensional drawing



A	B	C
136mm	95mm	83.4mm

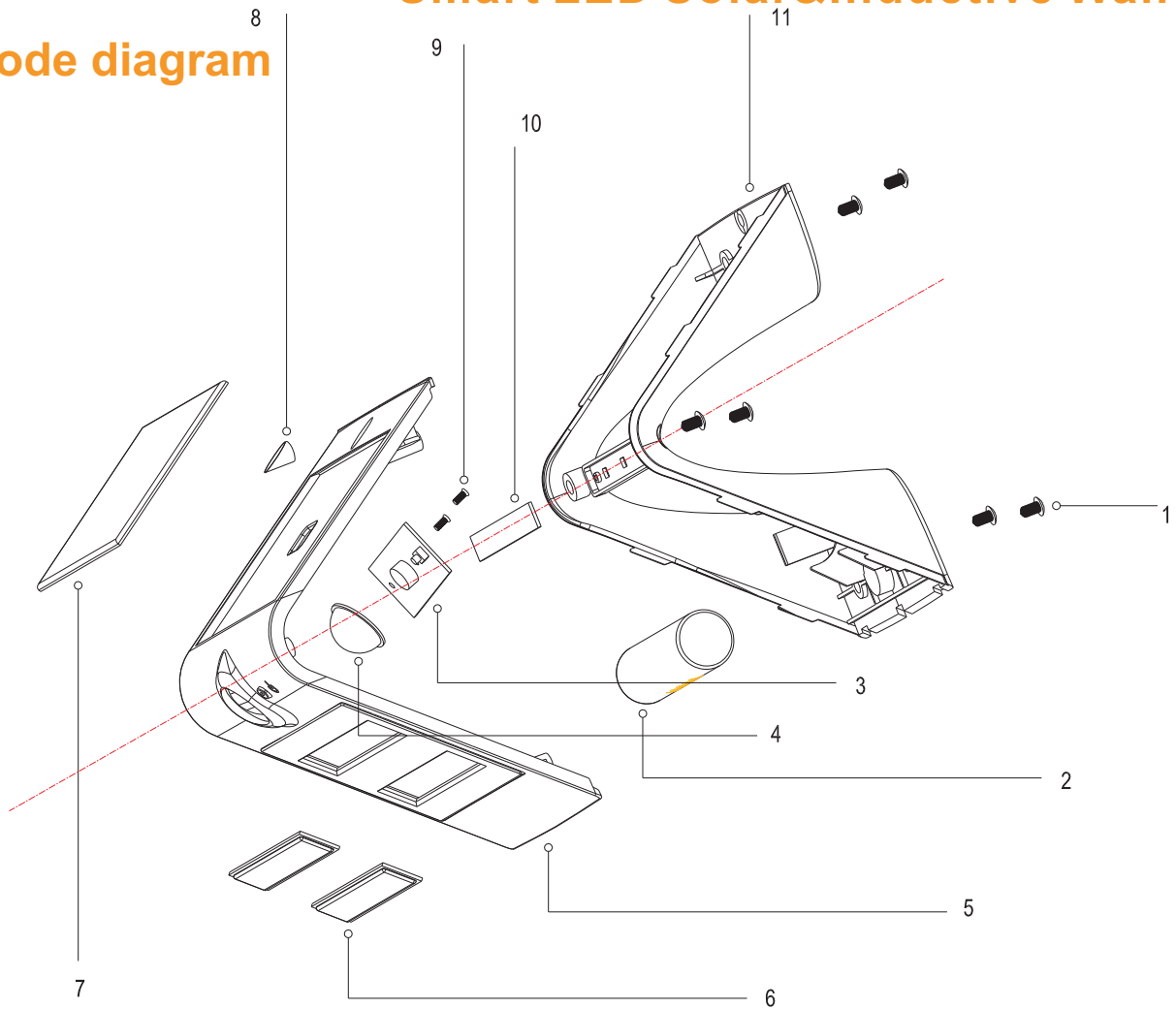
Technical data

Battery Capacity	3.7V/1200mA
Solar Panel	6V/0.8W
Charge/Discharge Time	6~8Hrs/>24Hrs
Power consumption	1.5W
LED source	2pcs COB 6000K
	3pcs SMD warm white /red /green /red
Luminous Efficiency (LM/W)	100lm/W
IP Grade	IP65
Sensing Distance/Angle	0~8m/120°
Fixture Material	ABS
Light Angle	120°
Working temperature	-20C°~40C°
Working humidity	(20-90)%RH
Storage temperature	-40C°~65C°
Storage humidity	(10-90)%RH



Smart LED Solar&Inductive Wall Light

Explode diagram

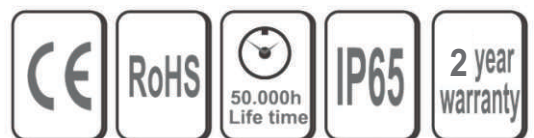
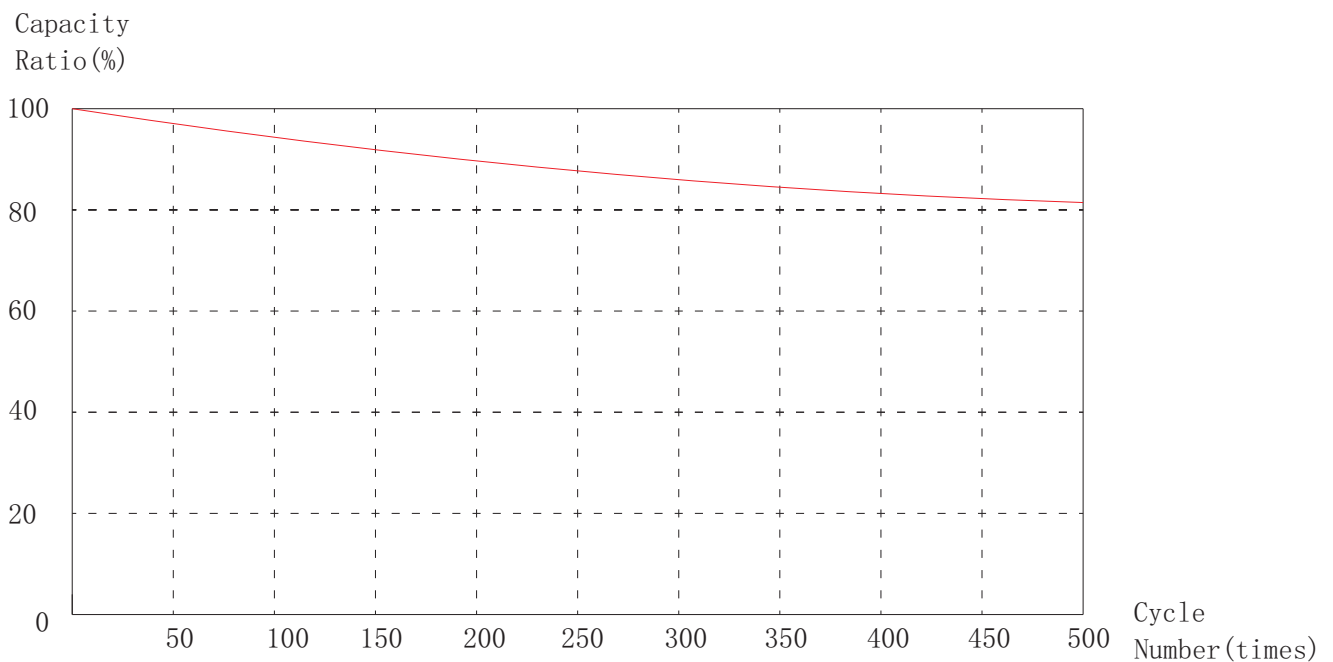
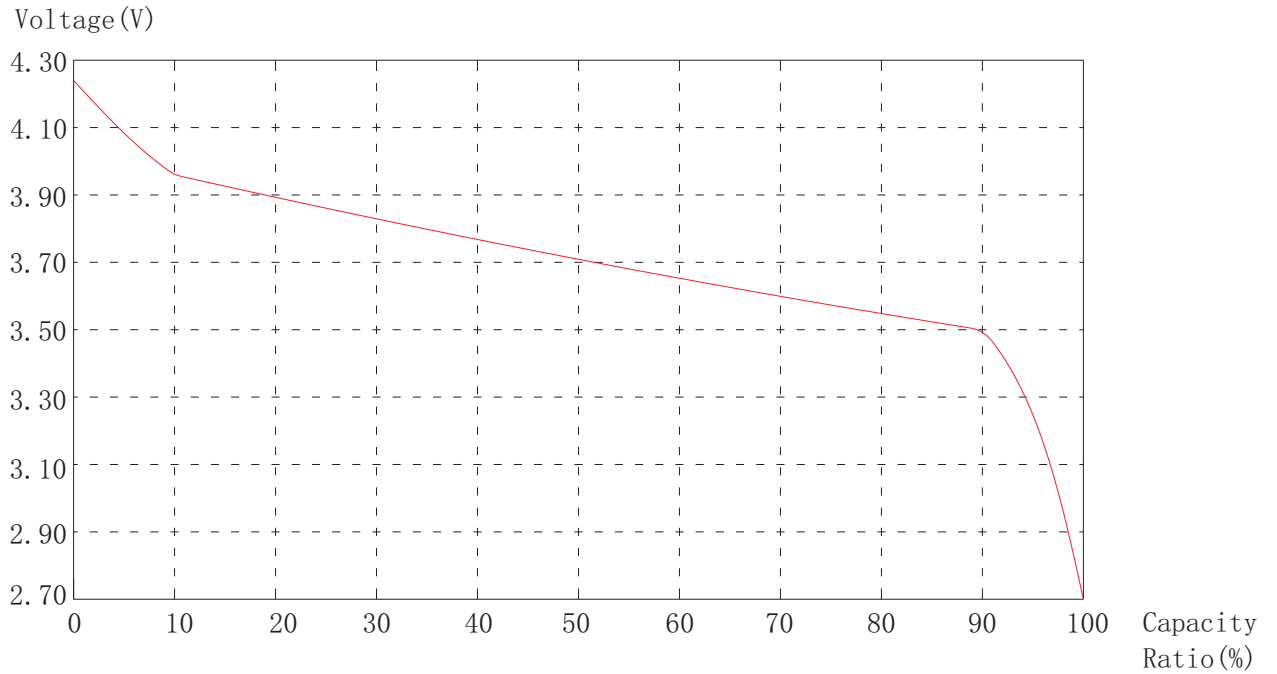


14	11	Low Cabinet		ABS	1	
13	10	SMD Panel		3528	1	warm/red/ blue/green
12	9	M1.8*4 Screw			2	
11	8	Plug			1	
10	7	Solar Panel		polycrystal line silicon	1	
9	6	CDB Light		6000K	2	
8	5	Top Cabinet		ABS	1	
7	4	Fresnel Lens			1	
6	3	IC Controller			1	
5	2	Lithium Ion Battery		LI	1	1200mAh/22 00mAh
4	1	M3*6 Screw			6	
3	NO	NAME	MATERIAL CODE	MATERIAL	QUANTITY	REMARK
2	Smart LED Solar&Inductive Wall Light					
1						
	A	B	C	D	E	F



Smart LED Solar&Inductive Wall Light

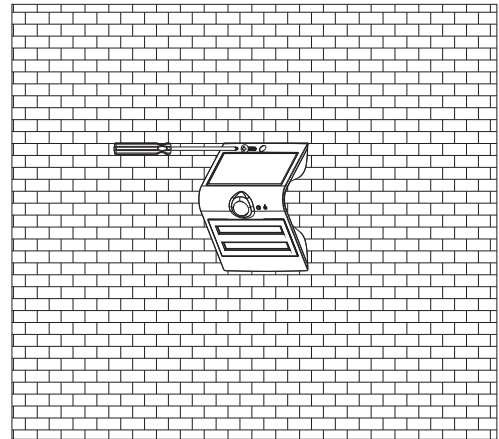
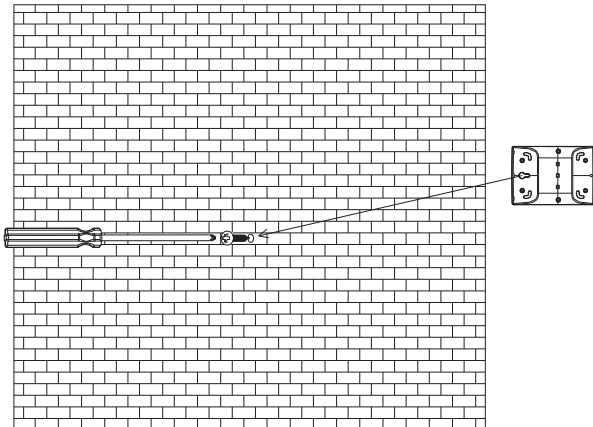
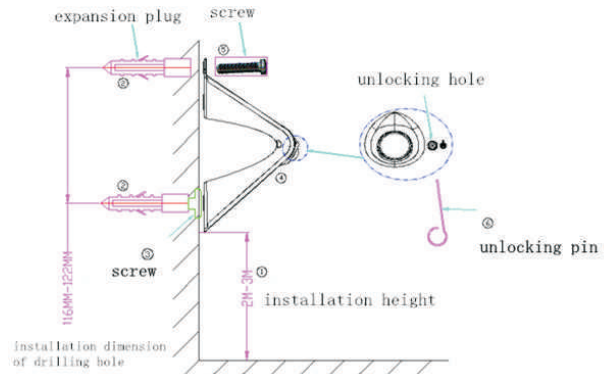
Characteristic Curves



Smart LED Solar&Inductive Wall Light

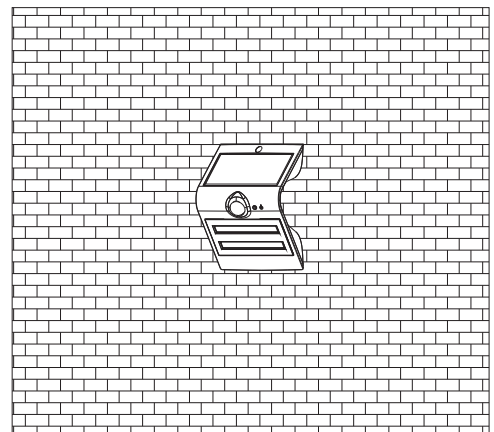
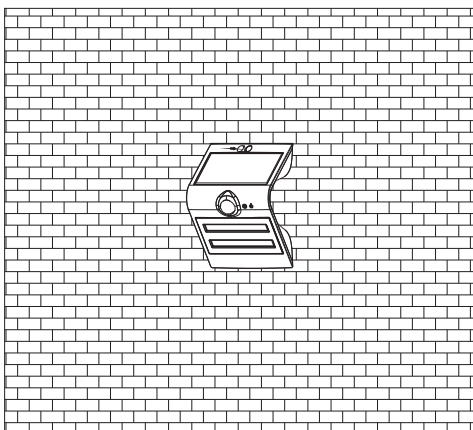
Installation wirings

1. Drilling on the wall, using the M4*16mm screw in the hole;



2. Fix the lamp on the wall with the M4*10mm screw ;

3. Make the plug in the hole ,be sure it is sealed completely .

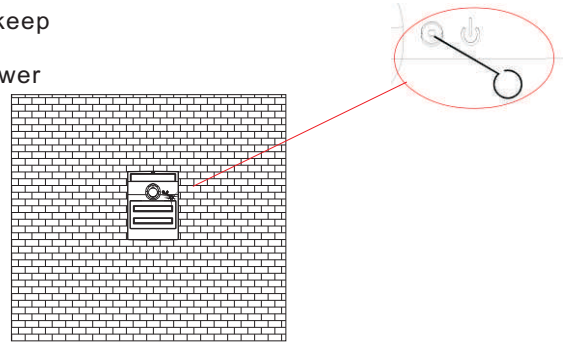


Smart LED Solar&Inductive Wall Light

Application method

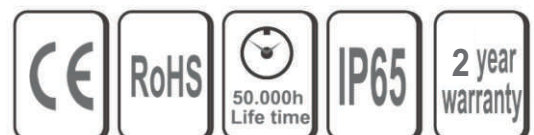
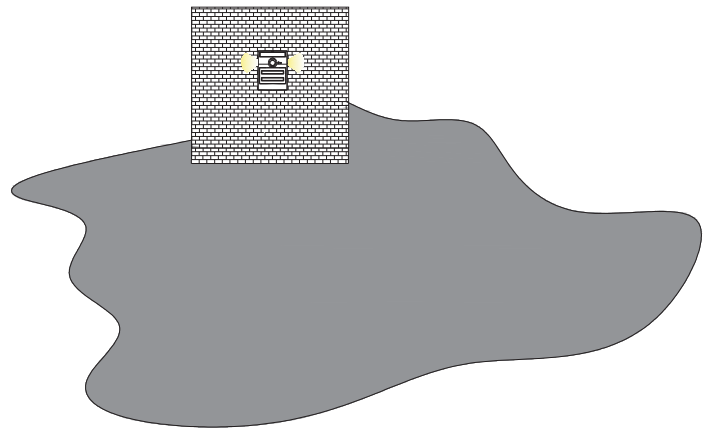
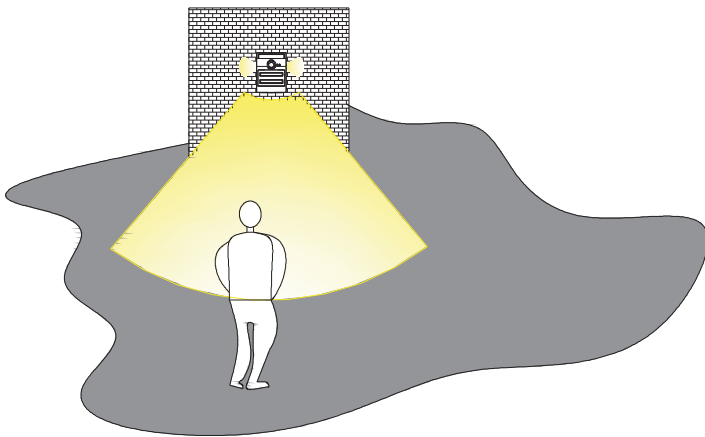
There are three kinds of mode for the lamp:

Poking the iron needles into the switch hole when you are installing the lamp.
Press the button one time, the lamp will burn when people is coming, then it will be put out after 25s if people has gone.
Press the button twice, the lamp will burn when people is coming, it will keep lightig 25s then turns into dim light.
Press the button three times, the lamp will burn all the while until the power is exhausted .
Press the button four times, the lamp will be closed.



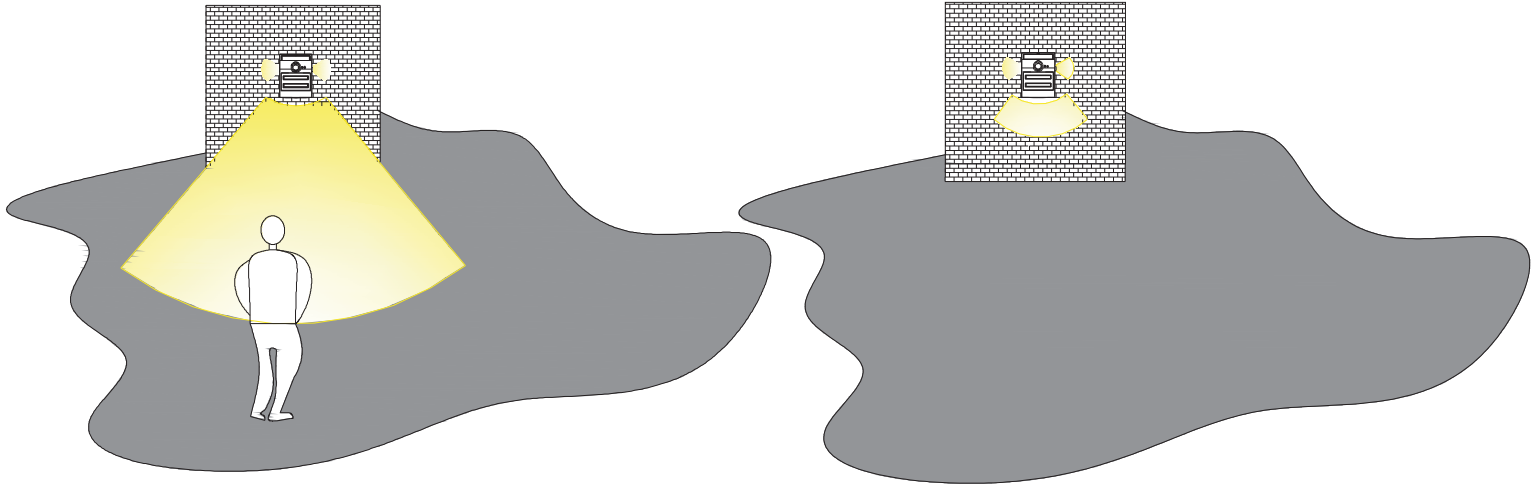
Working Mode

Model 1: The atmosphere lamp backside will normally on at night, no light when no motion for the mian-light, bright light activate when detecting motion within 5m, shut off 25 second later.

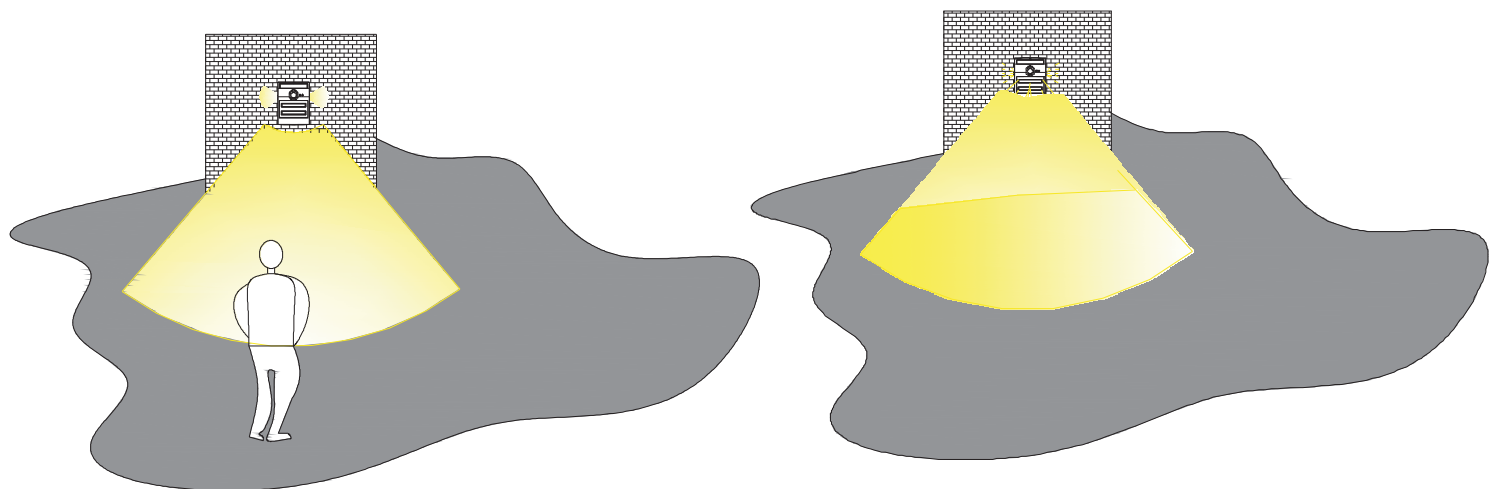


Smart LED Solar&Inductive Wall Light

Model 2: The atmosphere lamp backside will normally on at night, for the main-light, dim light when no motion, bright light activate when detecting motion, returns to dim light 25 seconds later.

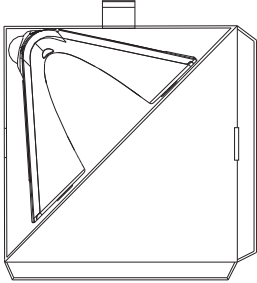


Model 3: The atmosphere lamp and the main-light will normally on at night.

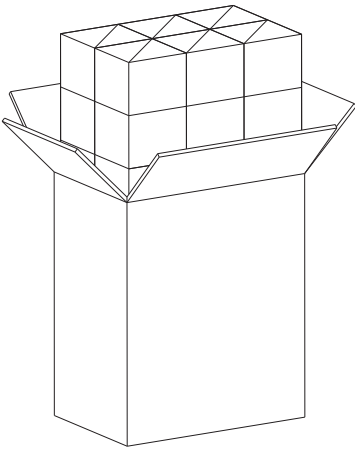


Smart LED Solar&Inductive Wall Light

Packing information



Carton Size	Pcs/Ctn	G.W/Carton
140*140*106mm	1	0.22 KG



Carton Size	Pcs/Ctn	G.W/Carton
435*290*545mm	60	15 KG

Installation Notes

1. Before the installation, Please read the product specifications carefully , and confirm if the conditions of operating environment are compliance with the specifications.
2. This light is solar powered; please install it in place with adequate sunlight.
3. The lamp is suitable for outdoor useage.
4. If you plan to use the light a shaded or indoor area, please choose a battery pow.
5. Don't disassemble the product by yourself, in order to avoid damage to the internal components. Disassemble have no quality service.
6. Please don't put the uncharged battery in one area over three months.

After-sales service

Under normal conditions, the warranty are two years. While the quality assurance is based on the correct preservation, installation, usage and maintenance. And due to improper installation, break the rules of products operation procedures, and caused by damage to the product, don't fall within the scope of this warranty. Any quality problems during the warranty period, our company will choose to repair, replacement(parts) or replace the new products and other methods to solve them. Exceed the quality warranty period will be charged the appropriate materials, labor costs.

