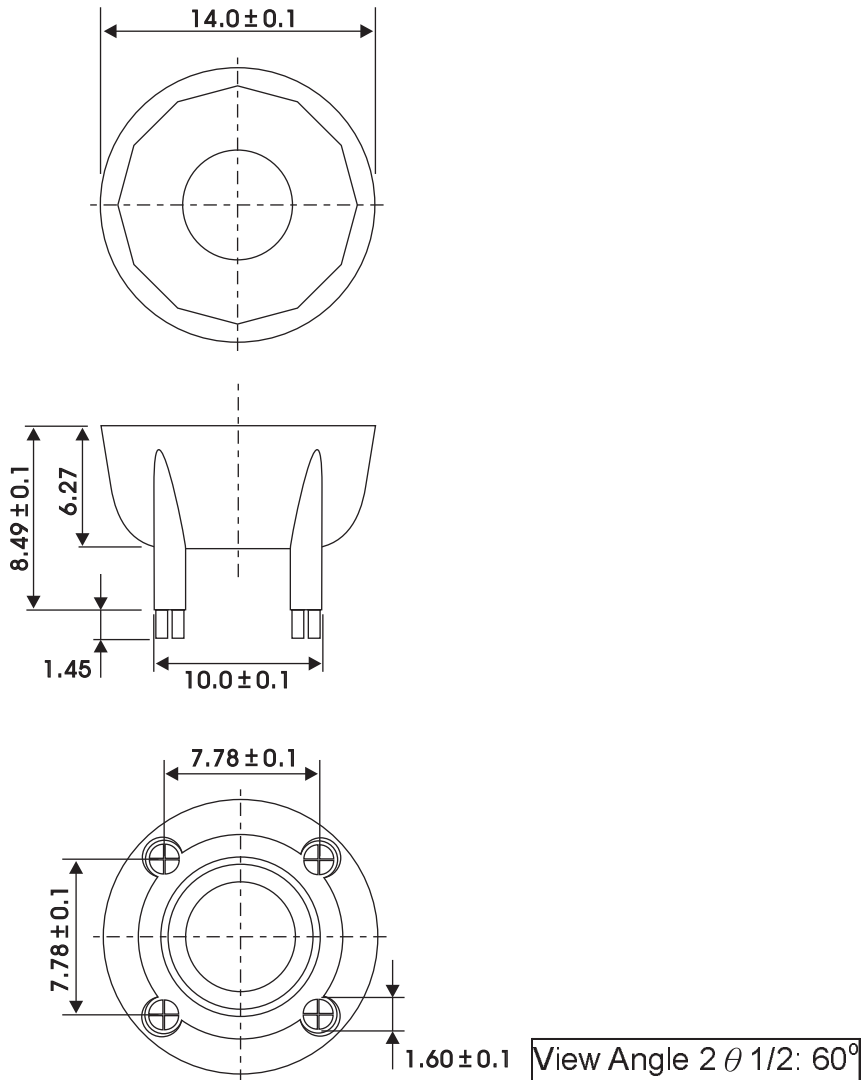




HOLDER PRODUCTS

PACKAGE DIMENSIONS:



NOTE:

1. All dimensions are in millimeter.
2. Specifications are subject to change without notice.
3. Tolerance is 0.5mm unless otherwise noted.

HUEY JANN ELECTRONICS INDUSTRY CO., LTD.

DEVICE NO: HPH4

DWG NO:

REV: B

DATE: 2009/1/15

DWN: C.Y.Lin

CHK: Dundee

This drawing contains proprietary information and is not to be used or reproduced without permission of HUEY-JANN.

HUEY JANN ELECTRONICS INDUSTRY CO., LTD.