

Verbatim LED Cardanic Spotlight 35W 4000K 3600lm 45D White

- Luminous efficacy of $\geq 100\text{lm/W}$
- 40.000 hours lifetime
- 4000K neutral white light
- 45° beam angle Flexibility with 350° rotation 20° tilting angle
- Passing 850°C glow wire test
- Flicker free
- Driver included



Product Number 52275

General Data

Installation Type	Recessed
Housing material	Aluminum
Housing colour	white
Protection class	IP20
Dimmable	no

Geometric Data

Length (mm)	108
Outer diameter (mm)	150
Inner diameter (mm)	138
Weight (g)	800

Electric Data

Wattage (W)	35
Voltage (V)	220-240
Current (mA)	152
Power Factor	0,93
Operating Frequency (Hz)	50-60
Safety Class	Class II
Power supply	External

Photometric Data

Luminous Flux (lm)	3600
CRI	80
CCT (K)	4000
Luminous Efficacy (lm/W)	103
Luminous Intensity (cd)	7800
Beam Angle (°)	45
Tilting Angle (°)	20

Lifespan

Lifetime (hrs)	40.000
Switching Cycle	100,000

Mechanical Parameters

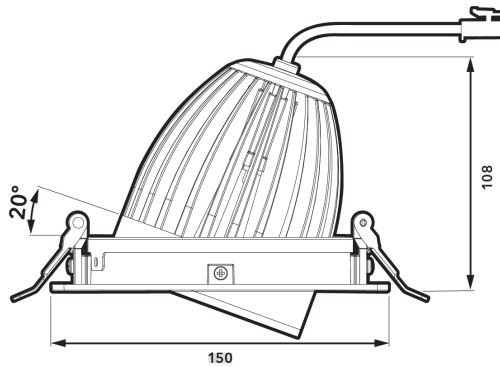
Glow wire test	850°C
----------------	-------



Product image



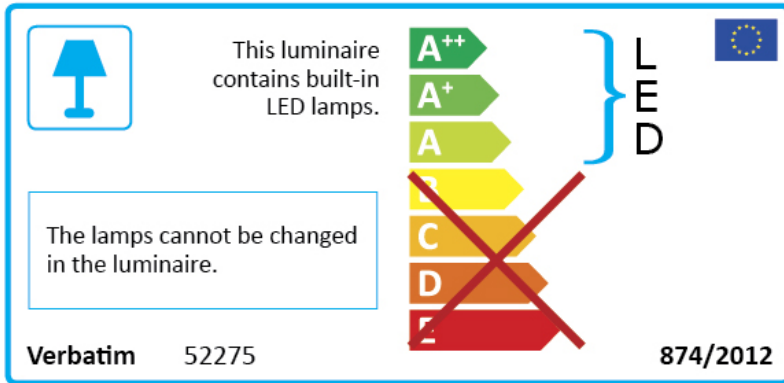
Technical drawing



Application image



Energy Rating



This luminaire contains built-in LED lamps.

The lamps cannot be changed in the luminaire.

Verbatim 52275 **874/2012**

Energy Efficiency Class: A++ (LED), A+, A, B, C, D, E (crossed out)

LED

EU Flag

Technical Packaging Details

Barcode

023942522751

EAN 128

(02)00023942522751(37)01(91)147

EAN 14

50023942522756

Pack Dimensions(HxWxL)

17x17x14.5 cm (mm)

MOQ

1

Cartons/Pallet

144

Layers/Pallet

6

Units/Pallet

144

