



Parameter

5meter/roll

Voltage: DC12V

Current: 6A/roll Max power: 72W/roll

IC type: DMX512

IC quantity: 10pcs/meter

LED type: SMD5050 RGB, 2000MCD/LED

LED quantity: 30pcs/meter

Pixel: 10pcs/meter

Grey scale: 256

Size: 5000x12x3mm

Control Method: DMX512

viewing angle: 120°

working temperature: -20C° - 60C°

wavelength: Red 620-630nm; Blue 465-470nm; Green 520-525nm

Weight: IP20 0.11kg/roll; IP65 0.21kg/roll; IP67 0.27kg/roll

Advantage

High brightness SMD5050 LED

Parallel connection, if one IC broken, the other pixel also work well

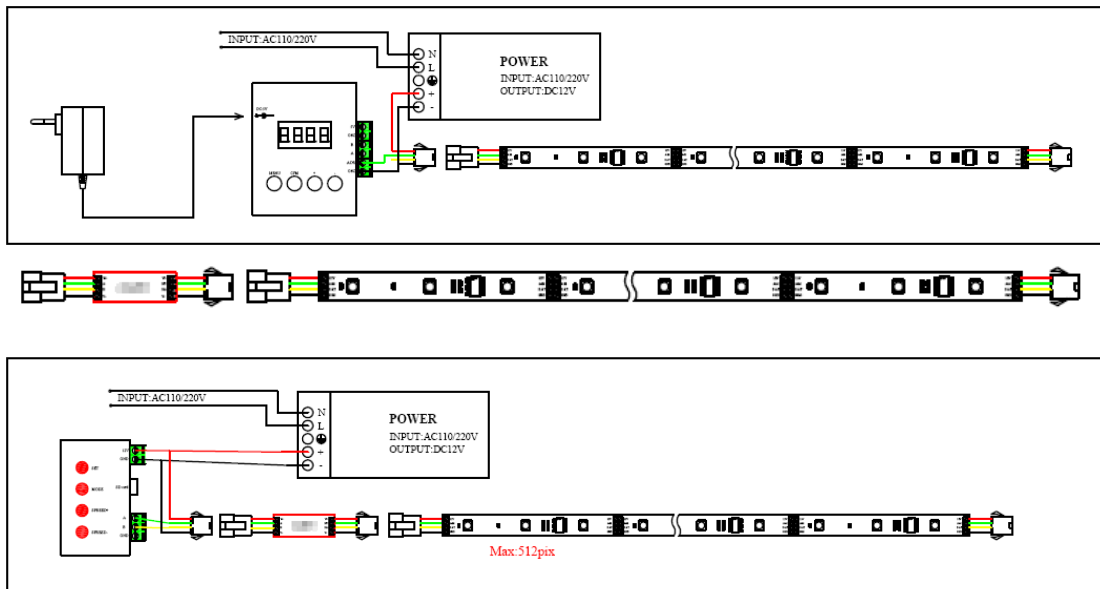
Can show customized effects

Addressable, directly connect to DMX system

Long distance control

Connection

Addressable to led strip



Notice:

1. Please use DC12V only;
2. There are direction arrows on the PCB, arrow direction for connecting next reel strip;
3. GND not only for power wire, also as signal wire, need connect to both power and controller;
4. Every 5m strip need re-connect to power supplier, avoiding voltage drop;
5. Keep the surface of installation place clear and smooth, avoiding the strip fall off. DO NOT press the LED;
6. DO NOT attempt to make sharp bend with the strip;
7. DO NOT install where water or high humidity may be present without further protection;
8. Away from strong acid or strong alkali.