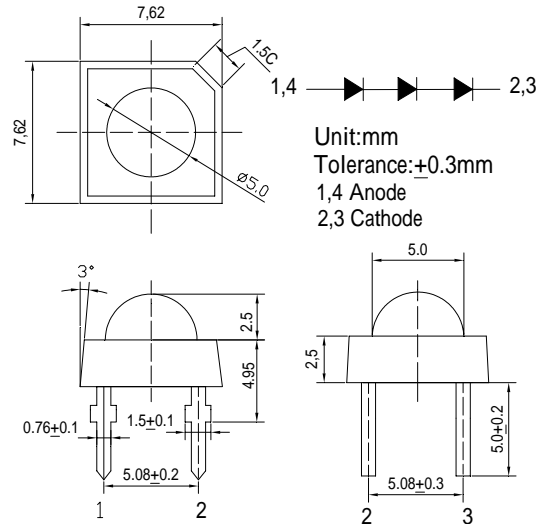


■Features

- High Luminous Super Flux Output
- 5 ° Standard Directivity
- Long Lifetime Operation
- Superior Weather-resistance
- UV Resistant Epoxy
- Water Clear Type

■Applications

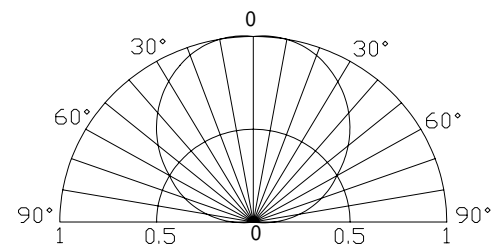
- Automotive Dashboard Lighting
- Money Detector
- Back Lighting
- Other Lighting

■Outline Dimension

■Absolute Maximum Rating

(Ta=25 °C)

Item	Symbol	Value	Unit
DC Forward Current	I_F	25	mA
Pulse Forward Current*	I_{FP}	100	mA
Reverse Voltage	V_R	15	V
Power Dissipation	P_D	300	mW
Operating Temperature	T_{opr}	-30 ~ +85	
Storage Temperature	T_{stg}	-40 ~ +100	
Lead Soldering Temperature	T_{sol}	260 /5sec	-

*Pulse width Max.10ms Duty ratio max 1/10

■Directivity

■Electrical -Optical Characteristics

(Ta=25 °C)

Item	Symbol	Condition	Min.	Typ.	Max.	Unit
DC Forward Voltage	V_F	$I_F=20mA$	9.0	10.2	12	V
DC Reverse Current	I_R	$V_R=15V$	-	-	10	μA
Peak Wavelength*	λ_p	$I_F=20mA$	410	415	420	nm
Radiant flux*	Φ_e	$I_F=20mA$	6.0	15.0	18.0	mW
50% Power Angle	$2\theta_{1/2}$	$I_F=20mA$	-	120	-	deg

 *1 Tolerance of Peak wavelength $\pm 1nm$

 *2 Tolerance of Radiant flux is $\pm 15\%$
LED & Application Technologies
