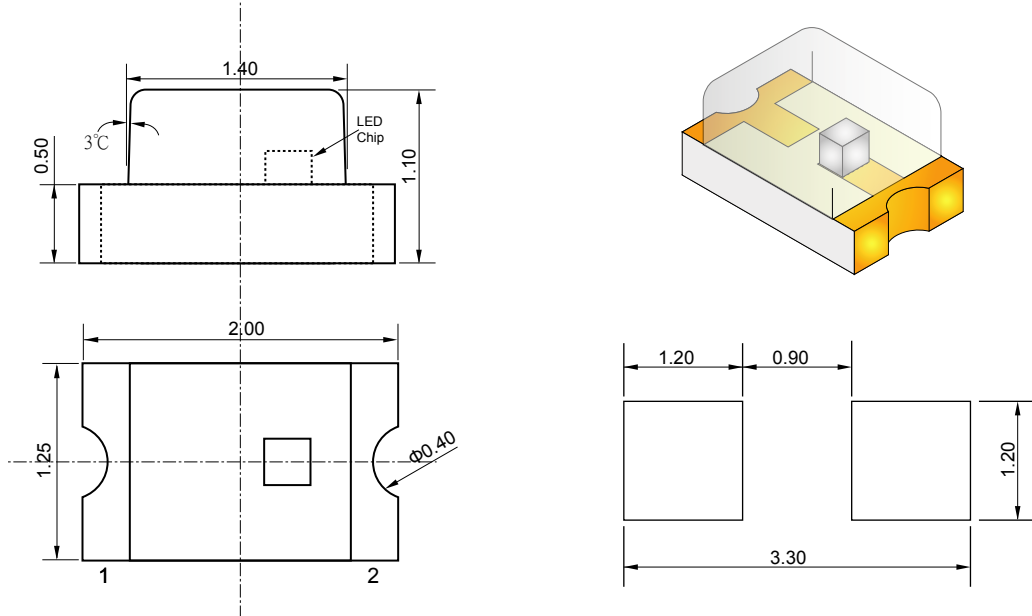


### KT0805JC-S



NOTES:  
 1. All dimensions are in millimeters (inches);  
 2. Tolerances are +/- 0.1mm (0.004inch) unless otherwise noted.

RECOMMEND PAD LAYOUT



#### Absolute maximum ratings (Ta=25°C)

Parameter	Symbol	Value	Unit
Forward current	I <sub>f</sub>	30	mA
Reverse voltage	V <sub>r</sub>	5	V
Power dissipation	P <sub>d</sub>	75	mW
Operating temperature range	T <sub>opr</sub>	- 40 ~ + 80	°C
Storage temperature range	T <sub>stg</sub>	- 40 ~ + 85	°C
Peak pulsing current *1	I <sub>fp</sub>	125	mA

Item	Materials
Resin (mold)	Epoxy
Bonding wire	Ø25 µm Au
Lens color	Water Clear
Printed circuit board	-
Dice	AlGaInP
Emitted color	Green

#### Electro -Optical characteristics (Ta=25°C)

Parameter	Test Condition	Symbol	Value			Unit
			Min	Typ	Max	
Wavelength at peak emission	I <sub>f</sub> =20mA	λ <sub>p</sub>	-	575	-	nm
Spectral half bandwidth	I <sub>f</sub> =20mA	Δλ	-	20	-	nm
Dominant wavelength	I <sub>f</sub> =20mA	λ <sub>d</sub>	-	-	-	nm
Forward voltage	I <sub>f</sub> =20mA	V <sub>f</sub>	2.2	-	2.6	V
Luminous intensity	I <sub>f</sub> =20mA	I <sub>v</sub>	-	45	-	mcd
Viewing angle	I <sub>f</sub> =20mA	2Θ <sub>1/2</sub>	-	130	-	Deg
Reverse current	V <sub>r</sub> =5V	I <sub>r</sub>	-	-	10	µA

\*1 Condition for IFP .Is pulse of 1 /10 duty and 0.1 msec width.