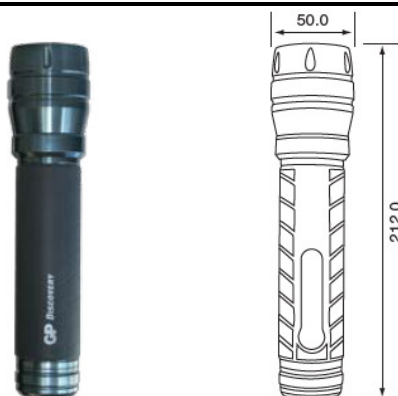


GP Batteries

Product Specifications

Model No.: GPLOE404



Unit : mm

Product Name: GP Discovery Torch – Outdoor Range

Product features:


- Anodized aluminum casing
- 5W CREE LED
- Push on/off button
- Comfortable non-slip rubber grip
- Carrying strap & metal clip
- Water resistance

Product specifications:

Power Source	: Powered by 2 x D Battery
LED type	: 5W CREE LED
LED lifetime	: Up to 50,000 hours
Light output	: Up to 180 lm
Intensity	: 8000 cd
Beam distance	: 180 meter approx.
Impact resistance	: 1 meter
Battery runtime	: Approx. 4 hours runtime with GP 13AU (Ultra Alkaline)
Product size	: Dia. 50 x 212 (L) mm
Product weight	: 288g approx. (torch only)
Approval & Compliance	: CE , RoHS, REACH

Cautions:

Please read all instructions and cautionary markings on the packaging and torch.

 Member
Gold Peak Group

Manufacturer reserves the right to alter or amend the design, model and specification without prior notice.