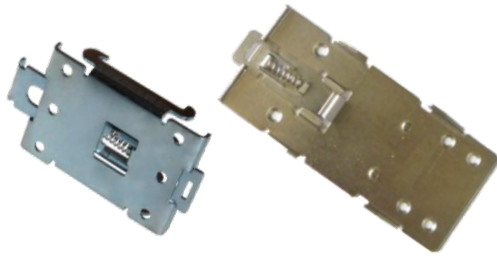


## Solid State Relay Accessory Din-Rail DR Series

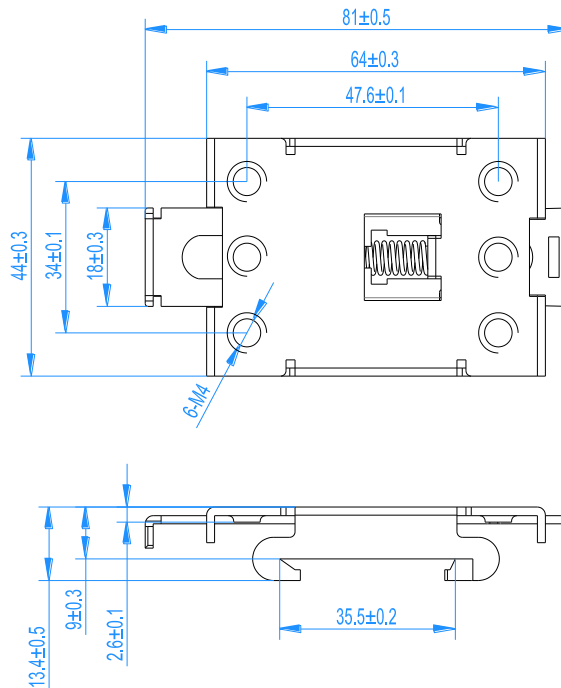


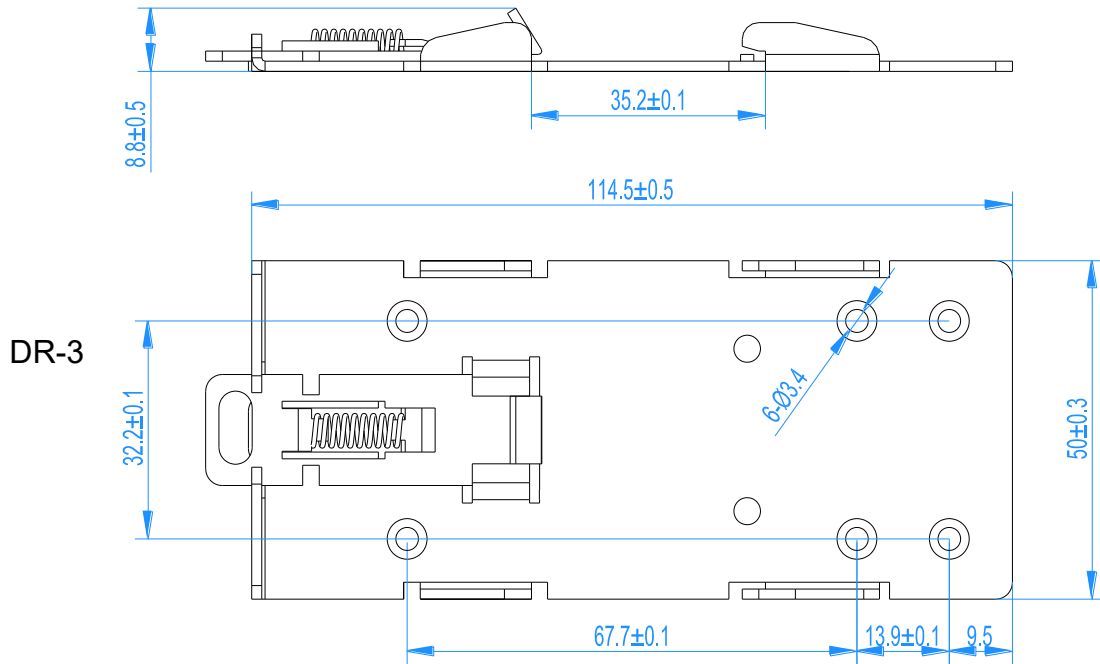
- DIN Rail Adapter fits Standard 35mm DIN Rail
- For use with KHS-B70, KHS-B90 and KHS-C110 heat sinks

Product Selection		
	DR-1	DR-3
Materia	Steel	Steel
Coating	Color zinc plated	Color zinc plated
Weight [Typical]	55g	78g
Mounting	Includes 6 holes for mounting M4 screws	Includes 6 holes for mounting M3 screws
Heat sinks	KHS-B70	KHS-B90, KHS-C110

### Installation

DR-1





**Product Certification**

