



### Typical Applications

Central door lock, Mirror adjustment, Turning lamp control, Seat adjustment, Power door & windows, Speed-limit indicator control, Warm-up control, Wiper control

### Features

- High current contact capacity (Carrying current: 35A/10min 25A/1h)
- Switching capacity up to 20A ( at 85°C )
- Improved heat resistance
- High resistance to vibration and shock
- Reflow soldering version available
- RoHS & ELV compliant (555)

## CHARACTERISTICS

Contact arrangement	1A, 1C
Voltage drop (initial) <sup>1)</sup>	Typ.: 100mV (at 10A) Max. : 250mV (at 10A)
Max. carrying current (NO contact)	35A/10min 25A/1h <sup>2)</sup>
Max. switching current	NO/NC: 35/20A (at 16VDC)
Max. switching voltage	60VDC
Max. switching power	210W
Contact rating	Resistive: 15A 14VDC Motor locked: 20A 14VDC Motor free: Break: 4A 14VDC Shock: 20A 14VDC
Min.contact load	1A 6VDC
Electrical life	See " CONTACT DATA " table
Mechanical life	1 x 10 <sup>7</sup> OPS 300OPS/min
Initial insulation resistance	100MΩ (500VDC)

Dielectric strength	500VAC (1min, leakage current less than 1mA)
Operate time	Max.: 10ms (at nomi. vol.)
Release time	Max.: 5ms <sup>3)</sup>
Temperature rise (at nomi. vol.)	Max. 60°C
Ambient temperature	-40°C to +85°C
Storage temperature	-40°C to +155°C
Vibration resistance	10Hz to 55Hz 1.5mm DA
Shock resistance	Functional: 100m/s <sup>2</sup> (10g) Destructive: 1000m/s <sup>2</sup> (100g)
Termination	PCB <sup>4)</sup>
Construction	Sealed IP67 & Flux proof
Unit weight	Approx. 6g

- 1) Equivalent to the max. initial contact resistance is 100mΩ (1A 6VDC).
- 2) 25°C, measured when coil is energized with 100% nominal voltage.
- 3) The value is measured when voltage drops suddenly from nominal voltage to 0 VDC and coil is not paralleled with suppression circuit.
- 4) Since it is an environmental friendly product, please select lead-free solder when welding. The recommended soldering temperature is 240°C to 260°C.

## CONTACT DATA <sup>5)</sup>

at 20°C

Load voltage	Load type		Load current (A)			On/Off ratio		Electrical life (OPS)	Contact material	Load wiring diagram <sup>4)</sup>
			1C		1A	On (s)	Off (s)			
			NO	NC	NO					
12VDC	Resistive	Make	15	15	15	2	2	2×10 <sup>5</sup>	AgSnO <sub>2</sub> AgNi0.15	See diagram 1
		Break	15	15	15	2	2			
	Resistive	Make	30	---	30	5	5	1×10 <sup>5</sup>	AgSnO <sub>2</sub>	See diagram 2
		Break	30	---	30					
	Motor Locked	Make	25 <sup>3)</sup>	---	25 <sup>3)</sup>	2	2	1×10 <sup>5</sup>	AgSnO <sub>2</sub>	See diagram 3
		Break	25 <sup>3)</sup>	---	25 <sup>3)</sup>					



HONGFA RELAY

ISO9001、ISO/TS16949、ISO14001、OHSAS18001 CERTIFIED

2005 Rev. 1.00

Load voltage	Load type		Load current (A)			On/Off ratio		Electrical life (OPS)	Contact material	Load wiring diagram <sup>4)</sup>
			1C		1A	On (s)	Off (s)			
			NO	NC	NO					
12VDC	Lamp <sup>1)</sup>	Make	90 <sup>2)</sup>	---	90 <sup>2)</sup>	5	5	1×10 <sup>5</sup> (at 85°C)	AgSnO <sub>2</sub>	See diagram 4
		Break	8.8	---	8.8					
	Lamp <sup>1)</sup>	Make	6×21W	---	6×21W	1	6	1×10 <sup>5</sup>	AgSnO <sub>2</sub>	See diagram 4
		Break								
	Flasher	Make	3×21W	---	3×21W	0.365	0.365	2×10 <sup>6</sup>	Special AgSnO <sub>2</sub>	See diagram 4
		Break								

- 1) When it is utilized in flasher, a special AgSnO<sub>2</sub> contact material should be used and the ordering key should be 170 as a special suffix. Please connect by the polarity according to the diagram below.  
2) Corresponds to the peak inrush current on initial actuation (cold filament).  
3) Corresponds to the peak inrush current on initial actuation (motor).  
4) The load wiring diagrams are listed below. When special AgSnO<sub>2</sub> contacts are applied, please heed the anode and cathode's request when wired.

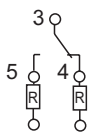


diagram 1

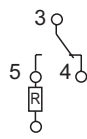


diagram 2

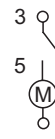


diagram 3

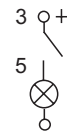


diagram 4

- 5) When the load requirement is different from content of the table above, please contact Hongfa for relay application support.

## COIL DATA

at 20°C

Nominal voltage (VDC)	Pick-up voltage (VDC)		Drop-out voltage (VDC)	Coil resistance (Ω)	Power consumption (W)
	20°C	85°C			
6	3.6	4.5	0.5	60	0.6
9	5.4	6.8	0.7	135	0.6
10	6.3	7.9	0.8	180	0.6
12	7.3	9.0	1.0	240	0.6
18	10.8	13.5	1.5	540	0.6
24	14.4	18.0	2.2	960	0.6

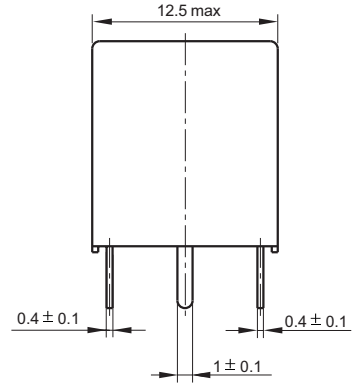
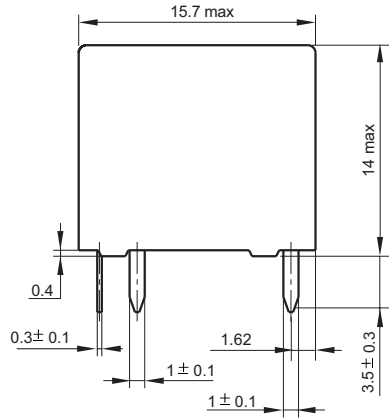
## ORDERING INFORMATION

Type	HFKW <sup>1)</sup> / 012 1Z W -L XXX				
Coil voltage	006: 6VDC	009: 9VDC	010: 10VDC	012: 12VDC	018: 18VDC
		024: 24VDC			
Contact arrangement	1H: 1 Form A	1Z: 1 Form C			
Contact material	W: AgSnO <sub>2</sub>	N: AgNi0.15			
Relay version	L: Reflow soldering version (open vent hole)		Nil: Sealed IP67		

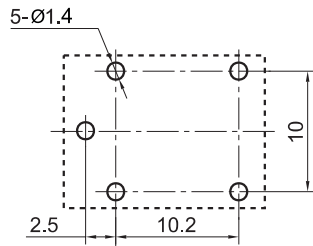
**Customer special code** e.g. 170 stands for flasher load, 555 stands for RoHS & ELV compliant. In case there are multiple special requirements, all special codes should be followed one by one.

- 1) HFKW is an environmental friendly product, please mark special code (555) when order.

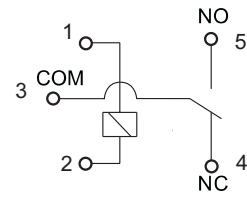
Outline Dimensions



PCB Layout



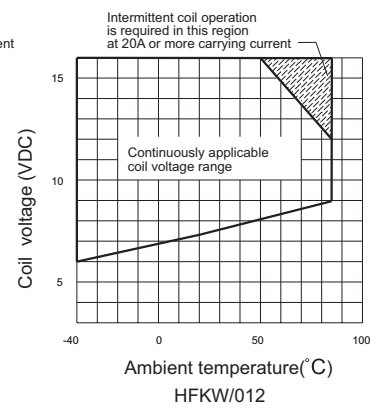
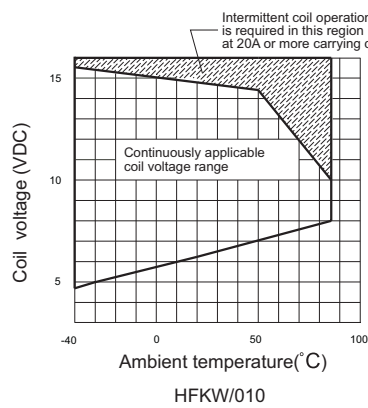
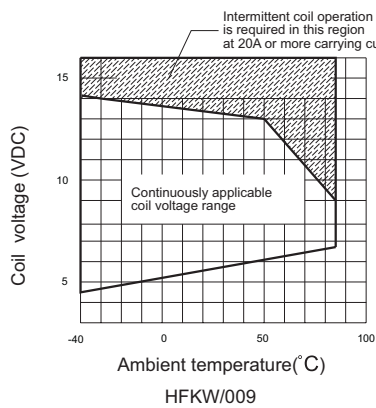
Wiring Diagram



Remark: 1) In case of no tolerance shown in outline dimension: outline dimension  $\leq 1$ mm, tolerance should be  $\pm 0.2$ mm; outline dimension  $> 1$ mm and  $\leq 5$ mm, tolerance should be  $\pm 0.3$ mm; outline dimension  $> 5$ mm, tolerance should be  $\pm 0.4$ mm.  
 2) The tolerance without indicating for PCB mounting holes is always  $\pm 0.1$ mm.

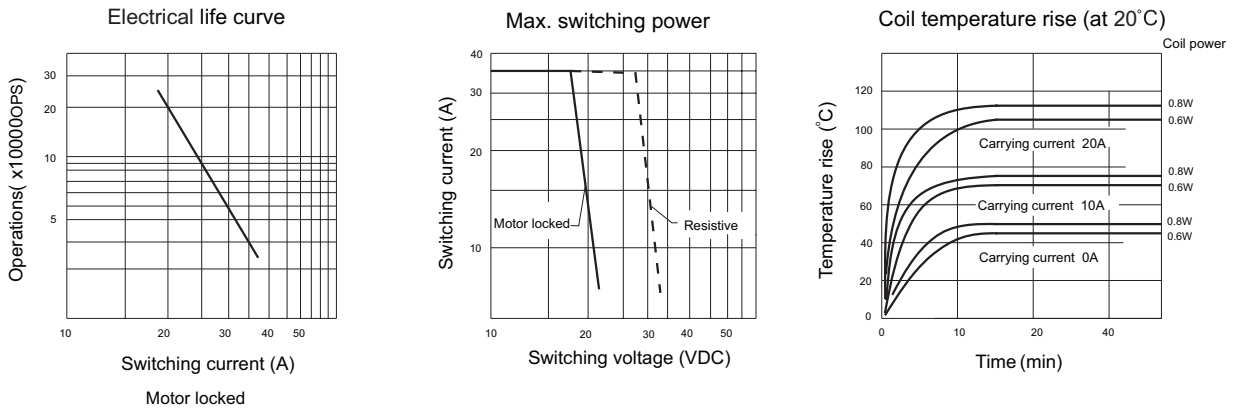
**CHARACTERISTIC CURVES**

1. Coil operating voltage range

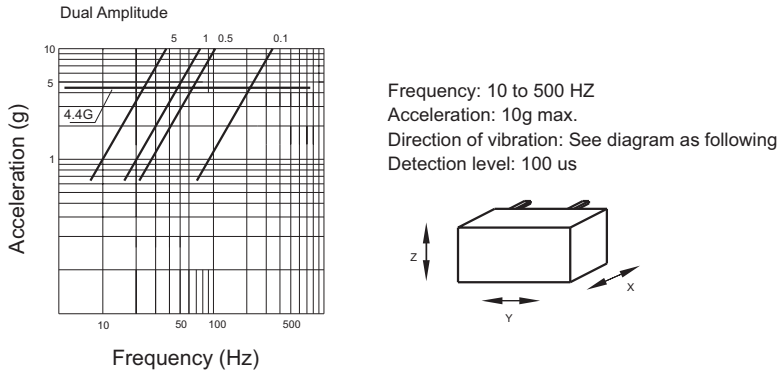


# CHARACTERISTIC CURVES

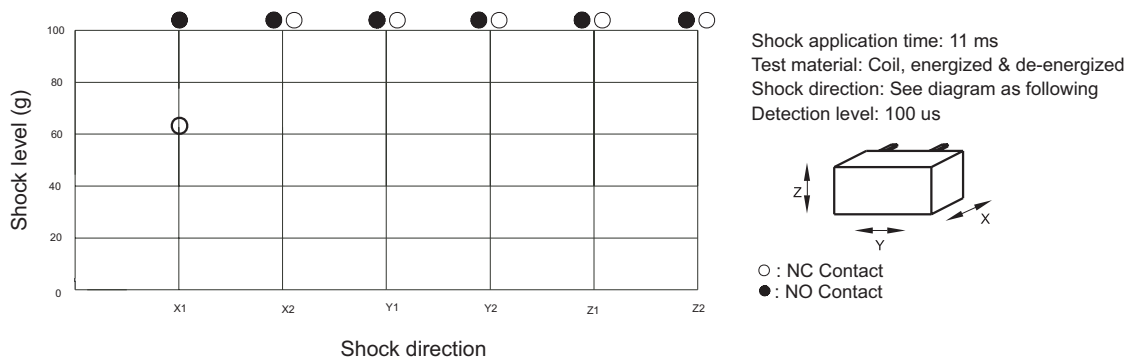
## 2. Load curve



## 3. Vibration resistance characteristics



## 4. Shock resistance characteristics



### Disclaimer

This datasheet is for the customers' reference. All the specifications are subject to change without notice. We could not evaluate all the performance and all the parameters for every possible application. Thus the user should be in a right position to choose the suitable product for their own application. If there is any query, please contact Hongfa for the technical service. However, it is the user's responsibility to determine which product should be used only.