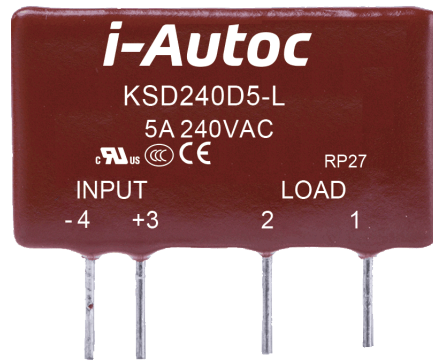


- ◆ TRIAC Output
- ◆ Control Voltage: 4-15VDC, 15-32VDC, 4-32VDC
- ◆ Load Voltage: 240VAC, 380VAC, 480VAC
- ◆ Load Current: 3A, 5A
- ◆ Dielectric Strength: 4000Vrms
- ◆ RoHS Compliant



Ordering Information

KSD	380	D	5	R	-L	(XXX)
KSD Series (1)	Load Voltage 240: 240VAC 380: 380VAC 480: 480VAC	DC Control	Load Current 3: 3Amp 5: 5Amp	Switching Mode Blank: Zero Crossing R: Random-on	Control Voltage L: 4-15VDC H: 15-32VDC W: 4-32VDC	Customized Code

Note (1): The part number selection is subject to the following list.

Control Voltage	3A		5A	
L:4-15VDC	KSD240D3-L	KSD240D3R-L	KSD240D5-L	KSD240D5R-L
	KSD380D3-L		KSD380D5-L	
	KSD480D3-L	KSD480D3R-L	KSD480D5-L	KSD480D5R-L
H:15-32VDC	KSD240D3-H	KSD240D3R-H	KSD240D5-H	KSD240D5R-H
	KSD380D3-H		KSD380D5-H	
	KSD480D3-H	KSD480D3R-H	KSD480D5-H	KSD480D5R-H
W:4-32VDC	KSD240D3-W	KSD240D3R-W	KSD240D5-W	KSD240D5R-W
	KSD380D3-W		KSD380D5-W	
	KSD480D3-W	KSD480D3R-W	KSD480D5-W	KSD480D5R-W

General Specifications

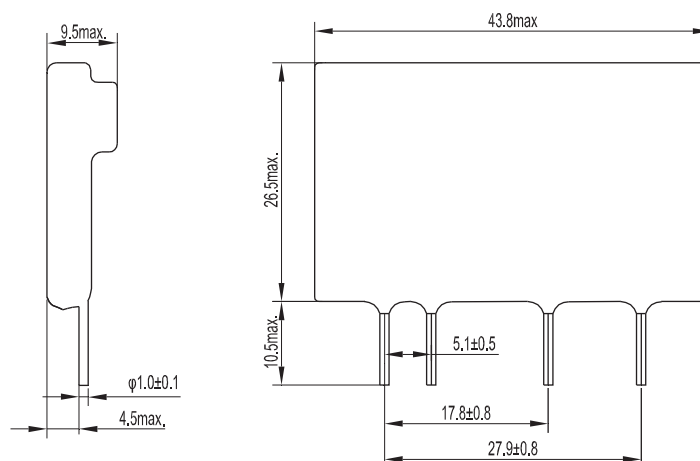
Input Specifications (Ta=25°C)			
Control Voltage Range	L		4-15VDC
	H		15-32VDC
	W		4-32VDC
Must Turn-On Voltage	L		4VDC
	H		15VDC
	W		4VDC
Must Turn-Off Voltage		1VDC	
Maximum Input Current		25mA	

Output Specifications (Ta=25°C)		
Load Voltage Range	240VAC	24-280VAC
	380VAC	24-440VAC
	480VAC	24-530VAC
Maximum Transient Overvoltage	240VAC	600Vpk
	380VAC	800Vpk
	480VAC	1200Vpk
Load Current Range	3A	0.1 - 3A
	5A	0.1 - 5A
Maximum Surge Current (@10ms)	3A	120A
	5A	200A
Maximum Turn-On Time	Zero Crossing	1/2cycle+1ms
	Random-on	1ms
Maximum Turn-Off Time		1/2cycle+1ms
Maximum Off-State Leakage Current@Rated Load Voltage		5mA
Maximum On-State Voltage Drop@Rated Current		1.5Vrms
Minimum Off-State dv/dt@Maximum Rated Voltage		200V/μs
General Specifications (Ta=25°C)		
Dielectric Strength (50/60Hz)		4000Vrms
Minimum Insulation Resistance (@500VDC)		1000MΩ
Ambient Temperature Range		-30°C ~ +80°C
Storage Temperature Range		-30°C ~ +100°C
Weight (Typical)		11.8g

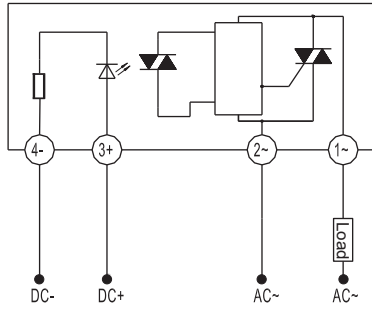
Applications

Suitable for lighting control, motor control, vending machine control, medical device control, elevator control, and etc.

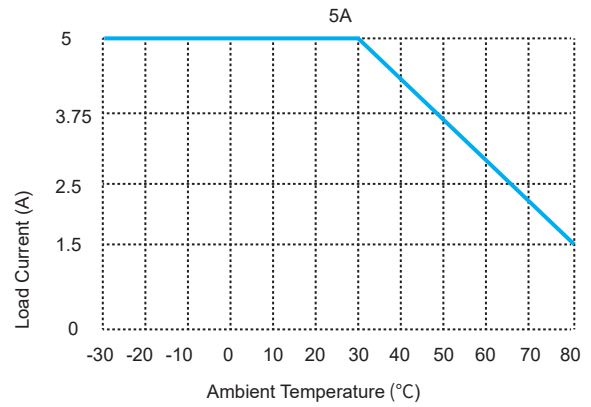
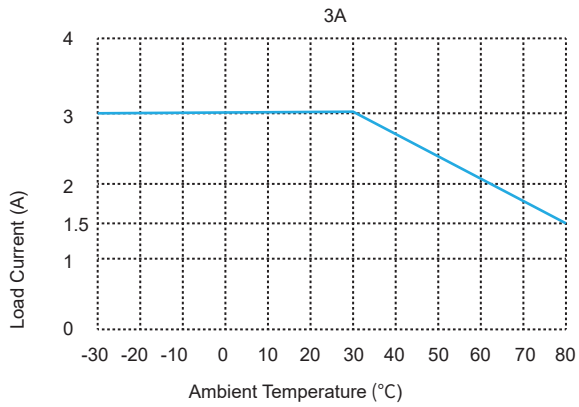
Outline Dimensions



Wiring Diagram



Thermal Derating Curve



General Notes

1. Soldering must be finished within 10 seconds at 260°C, or finished within 5 seconds at 350°C. Otherwise it may cause damage to the relay.
2. Terminal polarity must be observed. Otherwise it may cause damage to the relay.
3. When ambient temperature is above 25°C, the maximum load current decreases. See thermal derating curve.

Agency Approvals (Certification)

