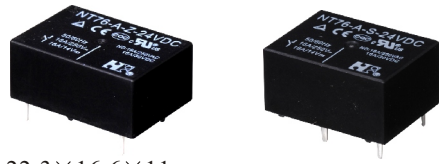


NT76



22.3×16.6×11

CCC 08001023387
 UL E160644 R50126372

Features

- Super light in weight.
- High sensitivity.
- Switching capacity up to 16A.
- PC board mounting.

Ordering Information

NT76 W A S DC12V C 0.2
 1 2 3 4 5 6 7

1 Part number: NT76
 2 Terminals: NIL: standard; W: wide terminals
 3 Contact arrangement: A: 1A; C: 1C
 4 Enclosure: S: Sealed type; Z: Dust cover
 5 Coil rated voltage(V): DC: 5, 6, 9, 12, 18, 24, 48, 100
 6 Contact material: C: AgCdO; S: AgSnO₂
 7 Coil power consumption: 0.2: 0.2W; 0.25: 0.25W; 0.45: 0.45W; 0.6: 0.6W

Contact Data

Contact Arrangement	1A (SPSTNO) 、1C (SPDT(B-M))	
Contact Material	AgCdO AgSnO ₂	
Contact Rating (resistive)	1A: 16A/250VAC, 30VDC; 1C: NO: 16A/250VAC, 30VDC NC: 10A/250VAC, 30VDC TiV 16A/250VAC, 14VDC	
Max. Switching Power	480W 4000VA	
Max. Switching Voltage	110VDC 380VAC	Max. Switching Current: 16A
Contact Resistance or Voltage drop	≤50mΩ	Item 4.12 of IEC 61810-7
Operational life	Electrical	10 ⁵ Item 4.30 of IEC 61810-7
	Mechanical	10 ⁷ Item 4.31 of IEC 61810-7

CAUTION: 1. For the intermediate current, it only applies to the room temperature.

Coil Parameter

Dash numbers	Coil voltage VDC		Coil resistance Ω ±10%	Pickup voltage VDC(max) (75% of rated voltage)	Release voltage VDC(min) (5% of rated voltage)	Coil power consumption W	Operate Time ms	Release Time ms			
	Rated	Max.									
005-200	5	6.5	125	3.75	0.25	0.20	≤10	≤5			
006-200	6	7.8	180	4.50	0.30						
009-200	9	11.7	405	6.75	0.45						
012-200	12	15.6	720	9.00	0.60						
018-200	18	23.4	1620	13.5	0.90						
024-200	24	31.2	2880	18.0	1.20	0.25	≤10	≤5			
048-250	48	52.8	9216	38.4	2.40						
005-450	5	6.5	56	3.75	0.25				0.45	≤10	≤5
006-450	6	7.8	80	4.50	0.30						
009-450	9	11.7	180	6.75	0.45						
012-450	12	15.6	320	9.00	0.60						
018-450	18	23.4	720	13.5	0.90						
024-450	24	31.2	1280	18.0	1.20						
048-450	48	52.8	5120	38.4	2.40						
100-600	100	130	16600	80.0	10.0	0.6	≤10	≤5			

CAUTION: 1. The use of any coil voltage less than the rated coil voltage will compromise the operation of the relay.
 2. Pickup and release voltage are for test purposes only and are not to be used as design criteria.

Operation condition

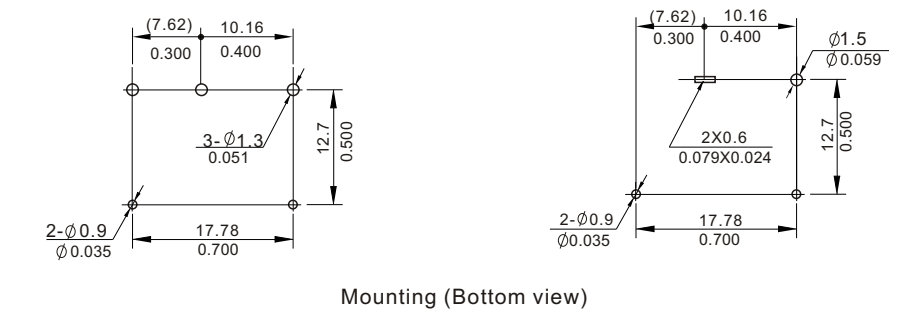
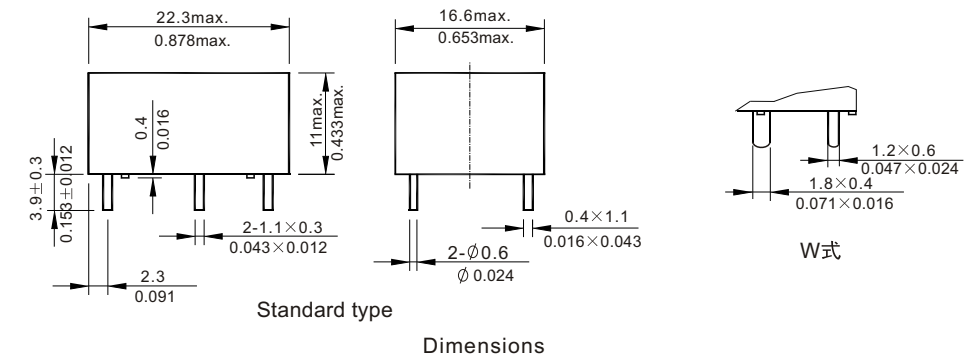
Insulation Resistance	100MΩ min (at 500VDC)	Item 7 of IEC 60255-5
Dielectric Strength	50Hz 750V	Item 6 of IEC 60255-5
Between contacts	50Hz 1500V	Item 6 of IEC 60255-5
Between contact and coil		
Shock resistance	100m/s ² 11ms	IEC 68-2-27 Test Ea
Vibration resistance	10Hz~55Hz double amplitude 1.5mm	IEC 68-2-6 Test Fc
Terminals strength	10N	IEC 68-2-21 Test Ua1
Solderability	235°C ±2°C 3s ±0.5s	IEC 68-2-20 Test Ta method 1
Ambient Temperature	-40°C~85°C	
Relative Humidity	85% (at 20°C)	IEC 68-2-3 Test Ca
Mass	10g	

Safety approvals

Safety approval	UL&CUR	TU V	CQC
Load	1A: 16A/250VAC 1C: 10A/250VAC	16A/250VAC; 14VDC	16A/250VAC

Dimensions

mm /inch



NOTES 1). Dimensions are in millimeters.
 2). Inch equivalents are given for general information only.