

1

2

3

4

5

6

7

8

A

A

B

B

C

C

D

D

E

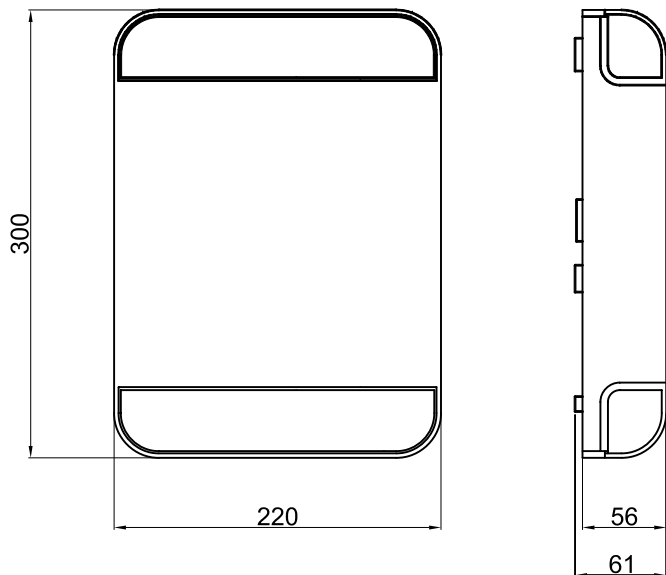
E

F

F

SPECIFICATION

- 1. Rated Voltage.....12VDC
- 2. Operating Voltage.....9~16VDC
- 3. SAB Mode Rated Current.....450mA at 12VDC
- 4. SCB Mode Rated Current.....25mA at 12VDC
- 5. Flash Mode Rated Current.....100mA at 12VDC
- 6. Waiting Rated Current.....25mA at 12VDC
- 7. Battery Charge Current.....20mA at 12VDC
- 8. Max.Sound Pressure Level.....118dB at 12VDC/100cm
- 9. Flash Frequency.....1Hz
- 10. Case Material.....ABS
- 11. Tone Nature.....PWM
- 12. Operating Temperature.....-40~+80℃
- 13. Store Temperature.....-30~+80℃
- 14. Humidity95% at +40℃
- 15. Weight.....1.3Kg



				KEPO NINGBO KEPO ELECTRONIC CO.,LTD http://www.chinakepo.com	
				Outer Alarm KP-450	
No.	DESCRIPTION	APPROVED	DATE		
TOLERANCES UNLESS NOTED OTHERWISE X ± .XX ± .XXX ± 90° FORMED ±2° ANGLES -1°		APPROVALS	DATE	UNIT	DWG NO.
FIRST ANGLE PROJECTION		CHECKED		mm	KP2.840.034
		APPROVED	06.02.16	SCALE	SHEET
				NOT TO SCALE	VER 2.0

1

2

3

4

5

6

7

8