

**APPROVAL SHEET
FOR
MAGNETIC BUZZER**

CUSTOMER No.:

OUR PART NO.:

OUR MODEL NO.:

CUSTOMER PART NO.:

CUSTOMER	APPROVED	CHECKED

Specification for Electro-Magnetic Buzzer (SMD Type)				Page 2 of 7	
				Des.	
Model No.:		Part No.		Li YanFei	
				7/13/2017	
				7/13/2017	

1. Technical Parameter

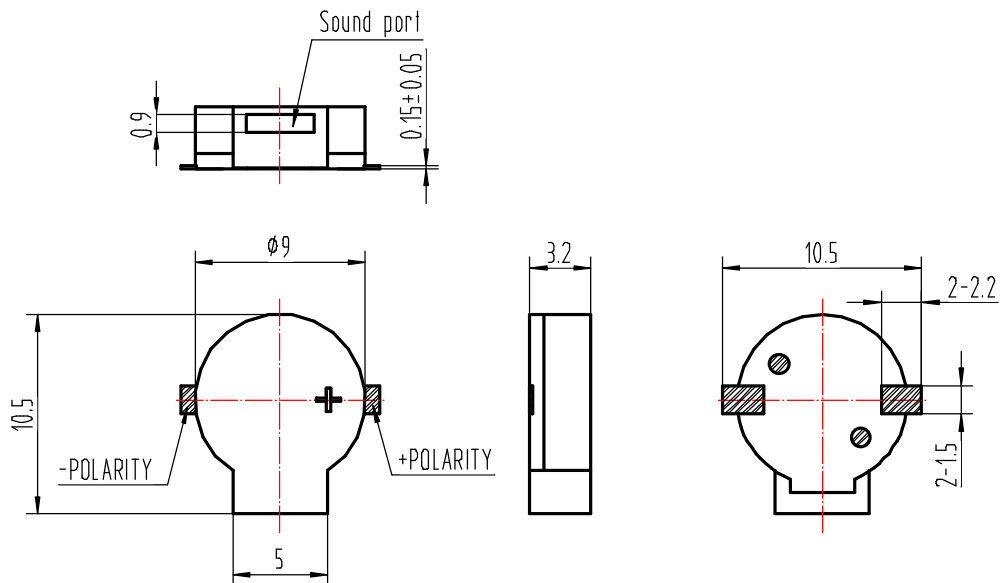
Measuring condition

Part shall be measured under a condition (Temperature: 5~35°C, Humidity: 45%~85%R.H., Atmospheric pressure: 860~1060hPa) unless the standard condition (Temperature: 25±3°C, Humidity: 60±10%R.H. Atmospheric pressure: 860~1060hPa) is regulated to measure.

1	Rated Voltage	3.0 Vo-p
2	Operating Voltage	2~4 Vo-p
3	Rated Current	Max.90mA ,at 2700Hz 50% duty Square Wave 3Vo-p
4	Sound Output at 10cm	Min. 85dB,at 2700Hz 50% duty Square Wave 3Vo-p
5	Coil Resistance	16±3Ω
6	Resonant Frequency	2700Hz
7	Operating Temperature	-20°C~+70°C
8	Store Temperature	-30°C~+80°C
9	Net Weight	Approx 0.5g
10	RoHS	Yes

2. Dimensions

Unit: mm



*Unit: mm; Tolerance: ± 0.3 mm Except Specified

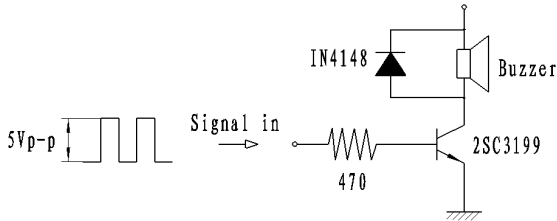
*Housing Material: Black LCP

*Terminal plate: 2 soldering pads, tin Plating Brass

Specification for Electro-Magnetic Buzzer (SMD Type)		Page 3 of 7			
		Des.	Chk.		
Model No.:		Part No.		Li YanFei	Jiang Yin
				7/13/2017	7/13/2017

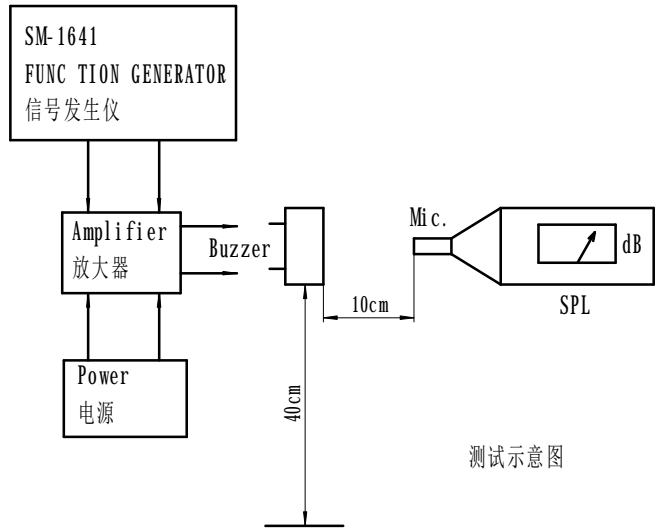
3. Electrical And Acoustical Measuring Condition

Recommended Driving Circuit



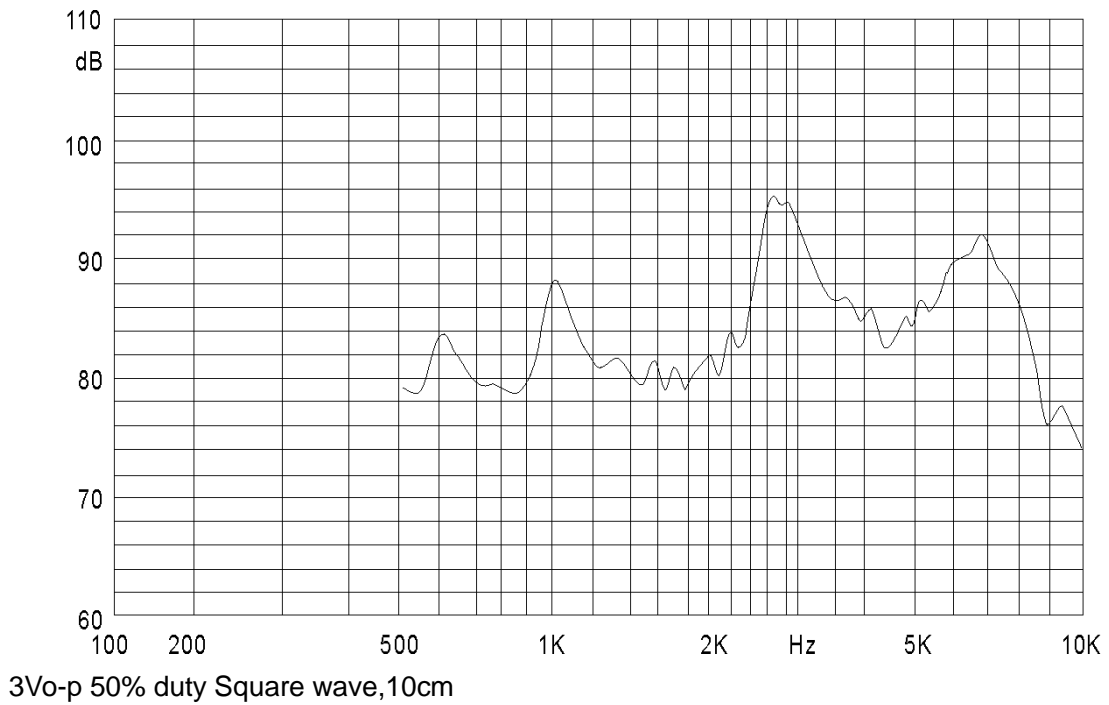
Resonant frequency, 1/2 duty cycle. Square wave.
Signal amplitude should be large enough to saturate the transistor.

Recommended Setting



测试示意图

4. Frequency Response

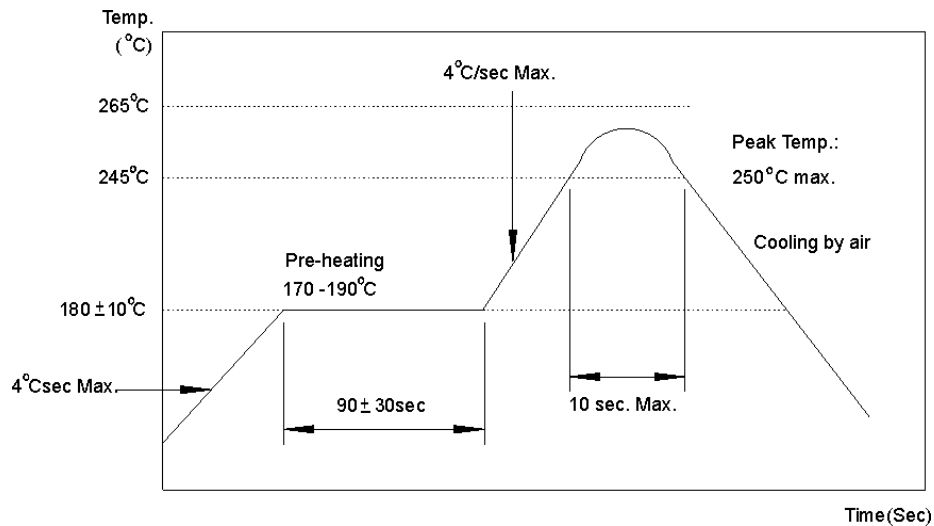


Specification for Electro-Magnetic Buzzer (SMD Type)				Page 4 of 7	
				Des.	
Model No.:		Part No.		Li YanFei	
				7/13/2017	
				7/13/2017	

5. Surface mounting condition

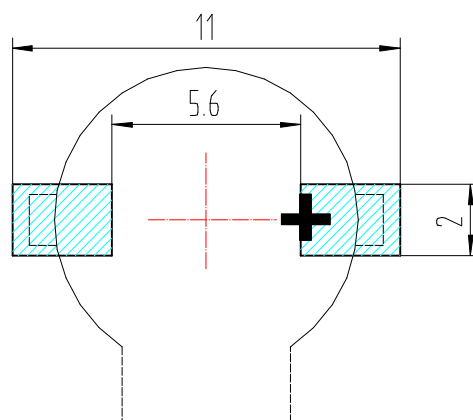
5.1 Reflow soldering

Recommendable reflow soldering condition is as follows.



- Note:** (1) In automated mounting of the SMD sound transducers on PCB, any bending, expanding and pulling forces or shocks against the SMD sound transducers shall be kept minimum to prevent them from electrical failures and mechanical damages of the devices.
- (2) In the reflow soldering, too high soldering temperatures and too large temperature Gradient such as rapid heating or cooling may cause electrical failures and mechanical damages of the devices.

5.2 Soldering pattern



Specification for Electro-Magnetic Buzzer (SMD Type)				Page 5 of 7	
				Des.	Chk.
Model No.:		Part No.		Li YanFei	Jiang Yin
				7/13/2017	7/13/2017

6. Reliability Test

After any following tests the part shall meet specifications without any degradation in appearance and performance except SPL. SPL shall not deviate more than -10 dB from the initial value

6.1 Ordinary Temperature Life Test

The part shall be subjected to 96 hours at $25\pm 10^{\circ}\text{C}$. Input rated voltage

Test Resonant frequency, 1/2 duty Square wave.

6.2 High Temperature

The part shall be capable of with standing a storage temperature of $+85^{\circ}\text{C}$ for 96 hours.

6.3 Low Temperature Test

The part shall be capable of with standing a storage temperature of -40°C for 96 hours.

6.4 Humidity Test

Temperature: $+40^{\circ}\text{C} \pm 3^{\circ}\text{C}$ Relative Humidity: 90%~95% Duration: 48 hours
and expose to room temperature for 6 hours

6.5 Temperature Shock Test

Temperature: 60°C /1hour → 25°C /3hours → -20°C /1hour → 25°C /3hours (1cycle)

Total cycle: 10 cycles

6.6 Drop Test

Standard Packaging From 75cm(Drop on hard wood or board of 5cm thick, three sides, six plain.)

6.7 Vibration Test

Vibration: 1000cycles /min. Amplitude: 1.5mm, Duration: 1 hour in each 3 axes

6.8 Reflow Test

Use recommendable reflow soldering condition (as shown in 5.1)

(1) No abnormality should be found after reflow

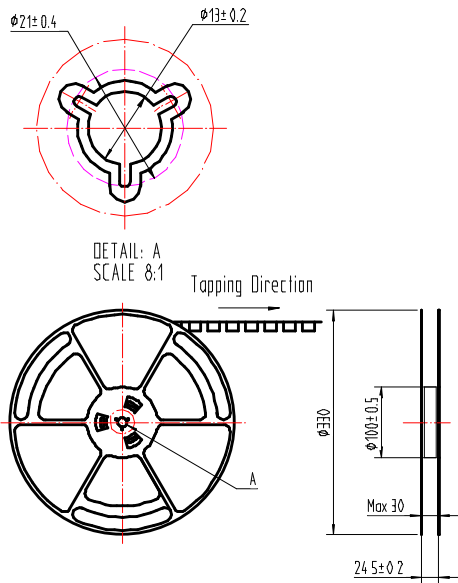
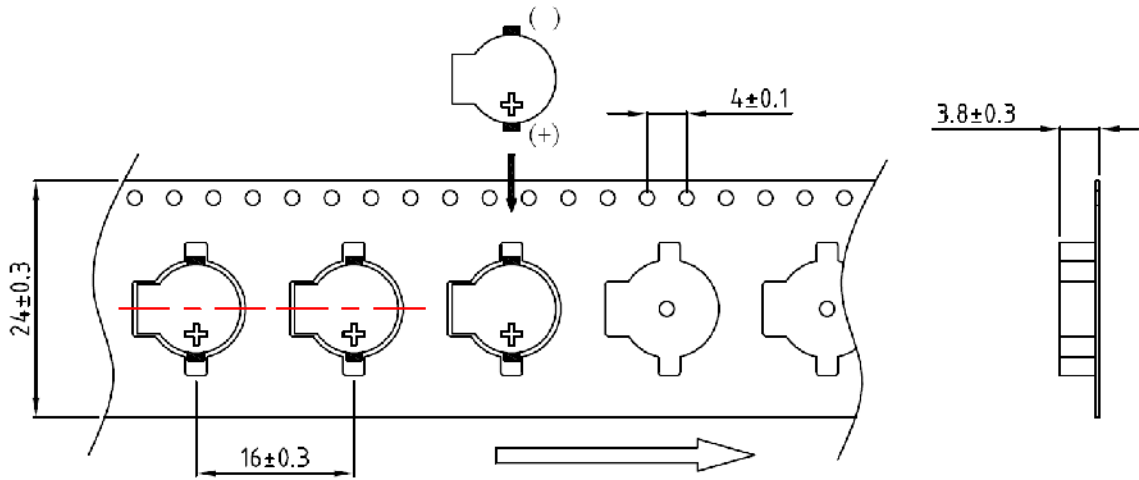
(2) Good soldering to meet soldering requirements

Note:

As this product is not protected from foreign material entering, please make sure that any foreign materials (e.g. magnetic powder, washing solvent, flux, corrosive gas) do not enter this product in your production processes. The functional degradation (e.g. SPL down) may occur if foreign material enter it.

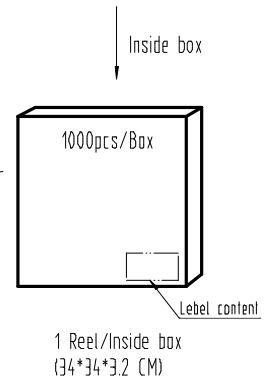
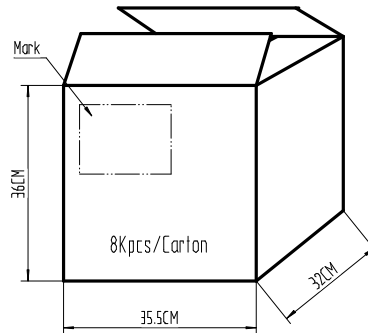
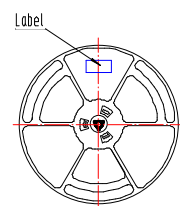
Specification for Electro-Magnetic Buzzer (SMD Type)		Page 6 of 7			
		Des.	Chk.		
Model No.:		Part No.		Li YanFei	Jiang Yin
				7/13/2017	7/13/2017

7. Packing



Label

P/N: 119-903217-03
 Model No.: BM9032S-0330-15
 Qty: 1000pcs
 Lot No.: XXXX



Specification for Electro-Magnetic Buzzer (SMD Type)					Page 7 of 7
				Des.	Chk.
Model No.:		Part No.		Li YanFei	Jiang Yin
				7/13/2017	7/13/2017

8. 其他信息

包装要求	编带包装：详见图纸要求 外箱料号：F6-005；外箱尺寸 35*32*36cm 内盒料号：F6-054；内箱尺寸 76*45.5cm 载带料号：F6-S90321；上封带：F6-SF213 每个载盘用一个大 PE 袋装好再放入内盒；PE 袋料号：F6-610		
唛头要求	内盒： 按客户订单	外箱： 按客户订单	

9. 变更记录

日期	变更项目	备注	确认人

--	--	--	--