



**APPROVAL SHEET  
FOR  
PIEZO BUZZER**

**常州富鸿达电子有限公司**

**CHANG ZHOU FHD ELECTRONICS CO., LTD.**

CLUE No.:

MODEL NUMBER: BP1325W35-48

OUR PART No.: 013-1325-CM-M002

CUSTOMER PART No.:

DOCUMENT No.: FESG-00082-A0

CUSTOMER	APPROVED	CHECKED

Add: Xujia Industrial Park, ZhenLu Town, Changzhou City, Jiangsu China.

江苏省常州市天宁区郑陆镇工业大道 2 号

Tel:+86-519-83822009

Fax:+86-519-88739926

Email: [sales@czfhd.com](mailto:sales@czfhd.com);

<http://www.czfhd.com>



Add: Xujia Industrial Park, ZhenLu Town, Changzhou City, Jiangsu China.

Tel:+86-519-83822009

Fax:+86-519-88739926

Email: sales@czfhd.com; <http://www.czfhd.com>

<b>Specification for Piezoelectric Ceramic Buzzer Wire Type</b>		<b>Des.</b>	<b>Page 2 of 6</b>
		Wang Min	Update/2018-11-01
<b>Model No.: BP1325W35-48</b>	P/N: 013-1325-CM-M002	<b>Chk.</b>	Apr.

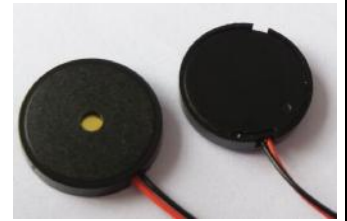
### 1. Document revision history

修改时间	版本	修改页次	修改内容	确认人

<b>Specification for Piezoelectric Ceramic Buzzer Wire Type</b>		Des.	Page 3 of 6
		Wang Min	Update/2018-11-01
Model No.: <b>BP1325W35-48</b>	P/N: 013-1325-CM-M002	Chk.	Apr.

## 2. Technical Parameter Measuring condition

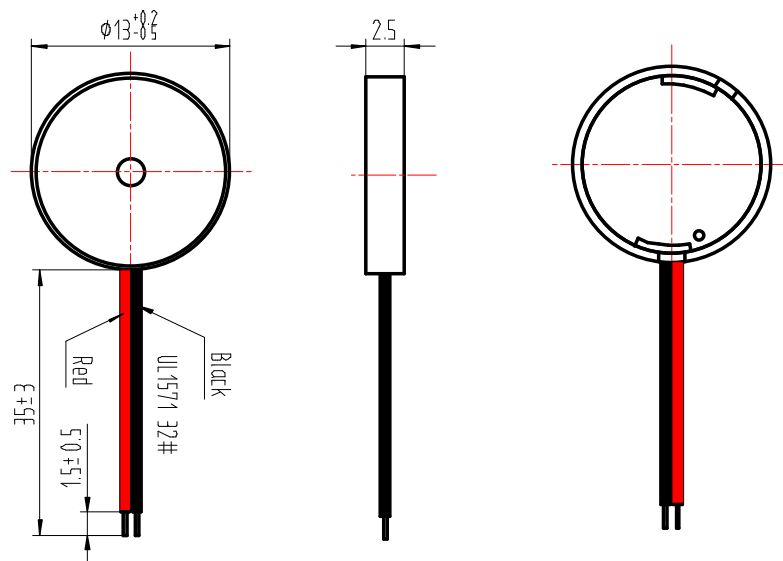
Part shall be measured under a condition (Temperature: 5 ~ 35°C, Humidity: 45% ~ 85%R.H., Atmospheric pressure: 860 ~ 1060hPa) unless the standard condition (Temperature: 25±3°C, Humidity: 60±10%R.H. Atmospheric pressure: 860 ~ 1060hPa) is regulated to measure.



1	Resonant Frequency	4800±500Hz
2	Operating Voltage	1~25 Vp-p
3	Rated Current	Max.5mA , At 4.8KHz 50% duty Square Wave 10Vp-p
4	Sound Output at 10cm	Min. 75dB, At 4.8KHz 50% duty Square Wave 10Vp-p
5	Capacitance	10000±30% pF At 1KHz
6	Operating Temperature	-20°C ~ +60°C
7	Store Temperature	-30°C ~ +70°C
8	Net Weight	Approx 0.4g
9	RoHS	Yes

## 3. Dimensions

Unit: mm



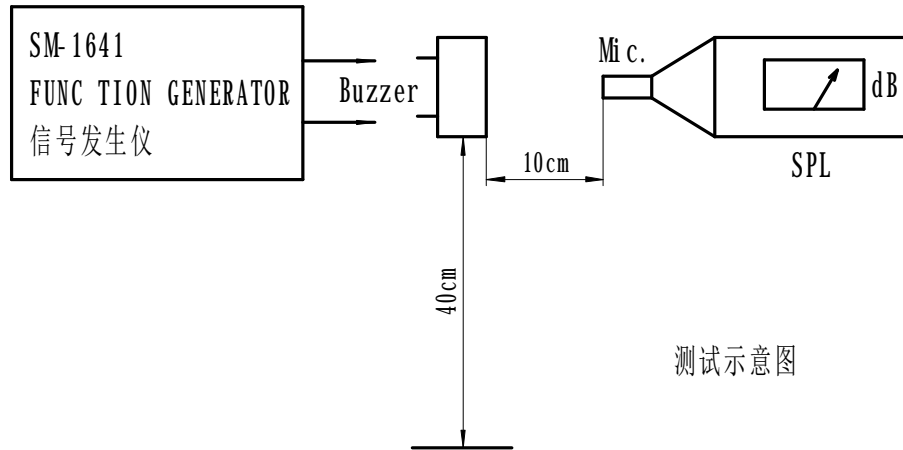
\*Unit: mm; Tolerance: ± 0.5mm Except Specified

\*Housing Material: Black ABS

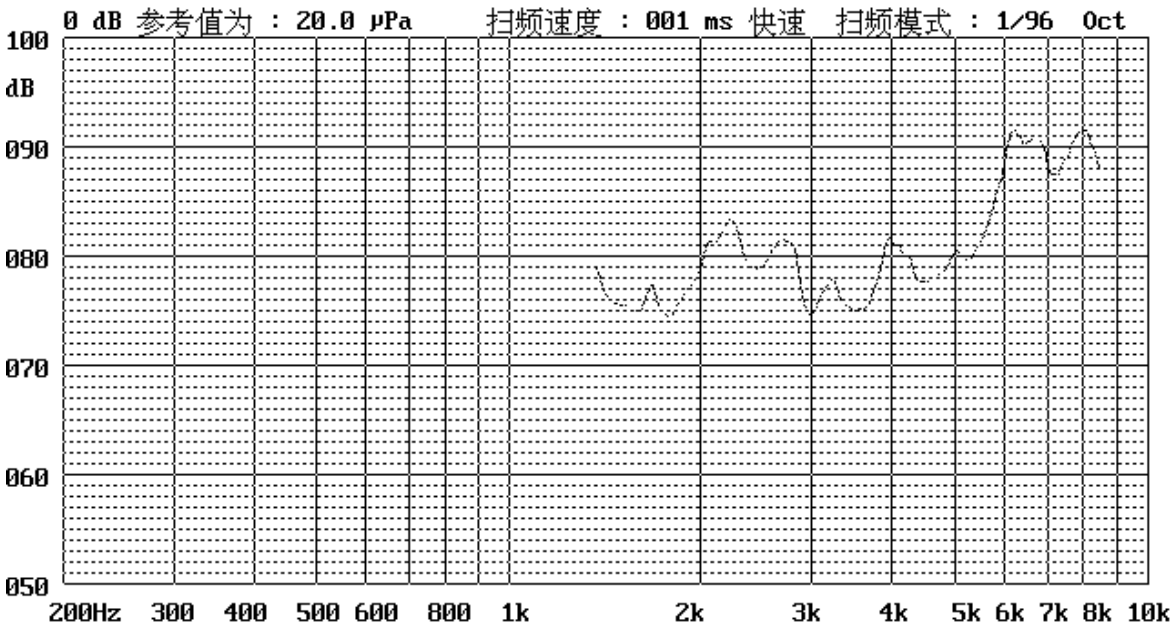
<b>Specification for Piezoelectric Ceramic Buzzer Wire Type</b>		Des.	Page 4 of 6
		Wang Min	Update/2018-11-01
Model No.: BP1325W35-48	P/N: 013-1325-CM-M002	Chk.	Apr.

#### 4. Electrical And Acoustical Measuring Condition

##### Recommended Setting



#### 5. Frequency Response



10Vp-p 50% duty Square wave, 10cm

<b>Specification for Piezoelectric Ceramic Buzzer Wire Type</b>		Des.	Page 5 of 6
		Wang Min	Update/2018-11-01
<b>Model No.: BP1325W35-48</b>	P/N: 013-1325-CM-M002	Chk.	Apr.

## 6. Reliability Test

After any following tests the part shall meet specifications without any degradation in appearance and performance except SPL. SPL shall not deviate more than -5 dB from the initial value

### 6.1 Ordinary Temperature Life Test

The part shall be subjected to 96 hours at  $25 \pm 10^\circ\text{C}$ . Input rated voltage  
Resonant frequency, 1/2 duty Square wave.

### 6.2 High Temperature Test

The part shall be capable of with standing a storage temperature of  $+70^\circ\text{C}$  for 96 hours.

### 6.3 Low Temperature Test

The part shall be capable of with standing a storage temperature of  $-30^\circ\text{C}$  for 96 hours.

### 6.4 Humidity Test

Temperature:  $+40^\circ\text{C} \pm 3^\circ\text{C}$  Relative Humidity: 90%~95% Duration: 48 hours  
and expose to room temperature for 6 hours

### 6.5 Temperature Shock Test

Temperature:  $60^\circ\text{C}$  /1hour  $\rightarrow$   $25^\circ\text{C}$ /3hours  $\rightarrow$   $-20^\circ\text{C}$ /1hour  $\rightarrow$   $25^\circ\text{C}$ /3hours (1cycle)  
Total cycle: 10 cycles

### 6.6 Drop Test

Standard Packaging From 75cm (Drop on hard wood or board of 5cm thick, three sides, six plain.)

### 6.7 Vibration Test

Vibration: 1000cycles /min. Amplitude: 1.5mm, Duration: 1 hour in each 3 axes

## Note:

As this product is not protected from foreign material entering, please make sure that any foreign materials (e.g. magnetic powder, washing solvent, flux, corrosive gas) do not enter this product in your production processes. The functional degradation (e.g. SPL down) may occur if foreign material enter it.

<b>Specification for Piezoelectric Ceramic Buzzer Wire Type</b>		Des.	Page 6 of 6
		Wang Min	Update/2018-11-01
<b>Model No.: BP1325W35-48</b>	P/N: 013-1325-CM-M002	Chk.	Apr.

## 7. Packing

包装要求	1.用 13*19PE 袋 500PCS/袋 PE 袋料号: F6-603 2.内盒用 63.5*53.5 折叠盒 3000PCS/盒 料号: F6-051 3.外箱用 12000PCS/箱 (4 个折叠盒) 料号: F6-004 外箱尺寸: 34*25*25
唛头要求	

