

CUSTOMER:

MODEL NUMBER:

OUR PART NO.:

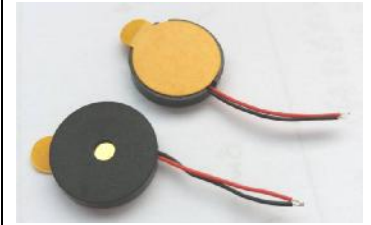
CUSTOMER PART NO.:

CUSTOMER	APPROVED	CHECKED

Specification for Piezoelectric Ceramic Buzzer Wire Type	Des.	Page 2 of 5

1. Technical Parameter Measuring condition

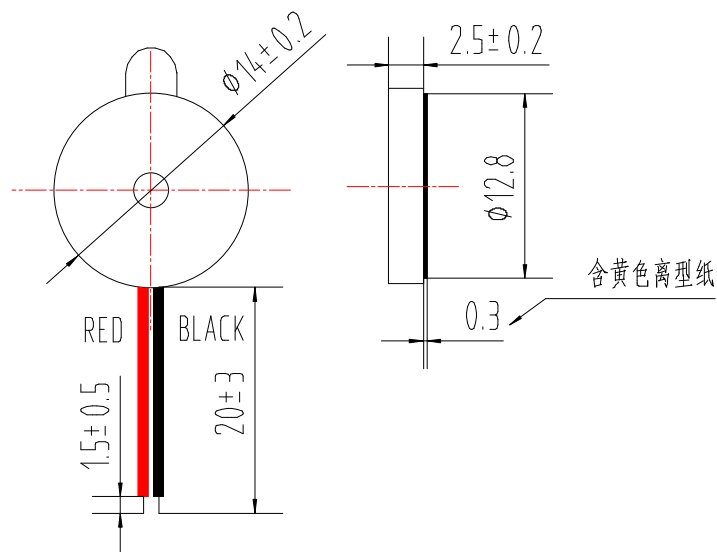
Part shall be measured under a condition (Temperature: 5~35°C, Humidity: 45%~85%R.H., Atmospheric pressure: 860 ~1060hPa) unless the standard condition (Temperature: 25±3°C, Humidity: 60±10%R.H. Atmospheric pressure: 860 ~1060hPa) is regulated to measure.



1	Resonant Frequency	5200±300Hz
2	Operating Voltage	1~30 Vp-p
3	Rated Current	Max.5mA , At 5.2KHz 50% duty Square Wave 10Vp-p
4	Sound Output at 10cm	Min. 85dB, At 5.2KHz 50% duty Square Wave 10Vp-p
5	Capacitance	10000±30% pF At 1KHz
6	Operating Temperature	-20°C~+60°C
7	Store Temperature	-30°C~+70°C
8	Net Weight	Approx 0.3g
9	RoHS	Yes

2. Dimensions

Unit: mm



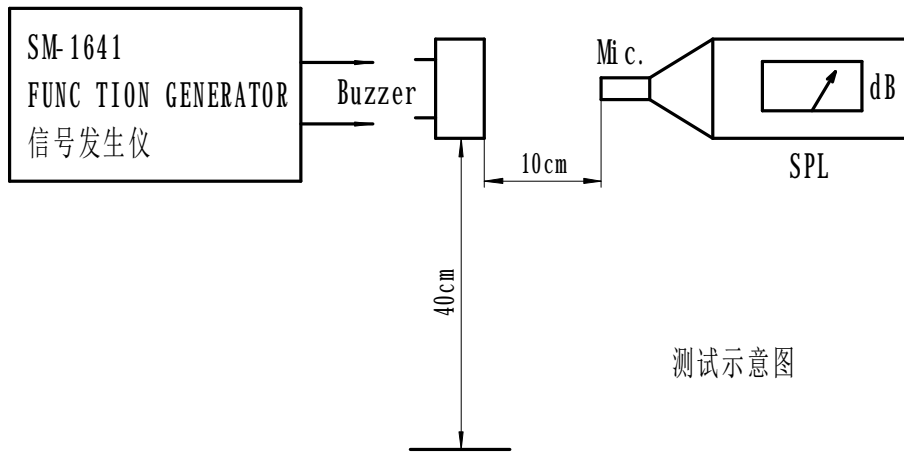
*Unit: mm; Tolerance: ±0.5mm Except Specified

*Housing Material: Black ABS Lead Wire: UL1571 32#

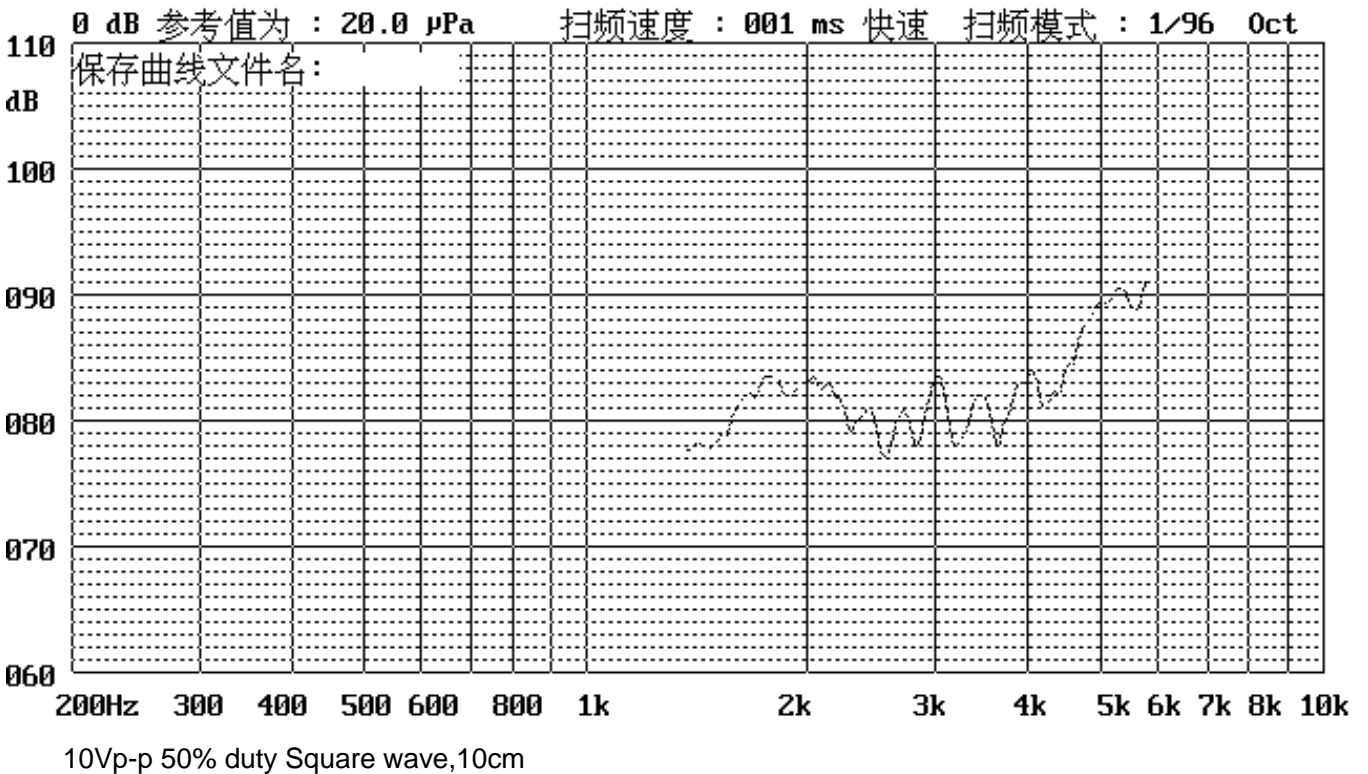
Specification for Piezoelectric Ceramic Buzzer Wire Type	Des.	Page 3 of 5

3. Electrical And Acoustical Measuring Condition

Recommended Setting



4. Frequency Response



Specification for Piezoelectric Ceramic Buzzer Wire Type	Des.	Page 4 of 5

5. Reliability Test

After any following tests the part shall meet specifications without any degradation in appearance and performance except SPL. SPL shall not deviate more than -5 dB from the initial value

5.1 Ordinary Temperature Life Test

The part shall be subjected to 96 hours at $25 \pm 10^\circ\text{C}$. Input rated voltage
Resonant frequency, 1/2 duty Square wave.

5.2 High Temperature Test

The part shall be capable of with standing a storage temperature of $+70^\circ\text{C}$ for 96 hours.

5.3 Low Temperature Test

The part shall be capable of with standing a storage temperature of -30°C for 96 hours.

5.4 Humidity Test

Temperature: $+40^\circ\text{C} \pm 3^\circ\text{C}$ Relative Humidity: 90%~95% Duration: 48 hours
and expose to room temperature for 6 hours

5.5 Temperature Shock Test

Temperature: 60°C /1hour → 25°C /3hours → -20°C /1hour → 25°C /3hours (1cycle)
Total cycle: 10 cycles

5.6 Drop Test

Standard Packaging From 1.2m(Drop on hard wood or board of 5cm thick,
three sides, six plain.)

5.7 Vibration Test

Vibration: 1000cycles /min. Amplitude: 1.5mm, Duration: 1 hour in each 3 axes

Note:

As this product is not protected from foreign material entering, please make sure that any foreign materials (e.g. magnetic powder, washing solvent, flux, corrosive gas) do not enter this product in your production processes. The functional degradation (e.g. SPL down) may occur if foreign material enter it.