

CUSTOMER:

CLUE NO.:

MODEL NO.:

OUR PART NUMBER:

CUSTOMER PART NO.:

CUSTOMER	APPROVED	CHECKED

CLUE NO.		Des.	Page 2 of 4
Model No.:	Part No.		

1、 Technical Parameter Measuring condition

Part shall be measured under a condition (Temperature: 5~35°C, Humidity: 45%~85%R.H., Atmospheric pressure: 860 ~1060hPa) unless the standard condition (Temperature: 25±3°C, Humidity: 60±10%R.H. Atmospheric pressure: 860 ~1060hPa) is regulated to measure.

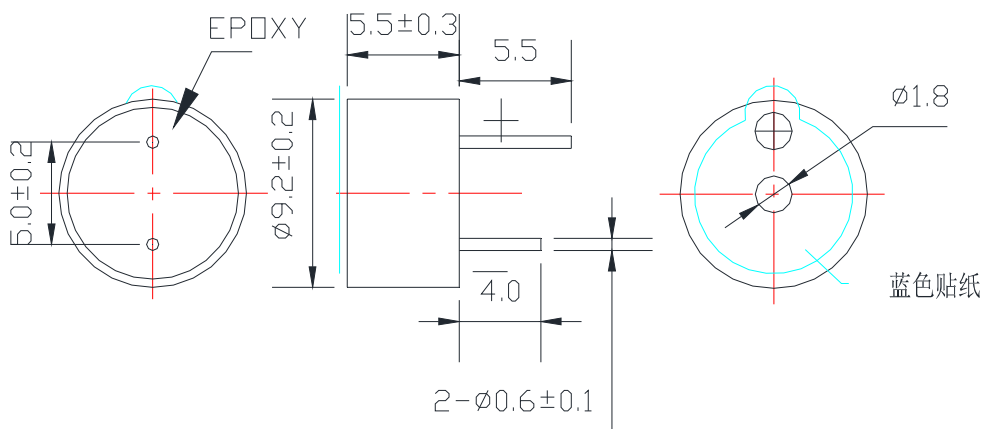


1	Rated Voltage	5 VDC
2	Operating Voltage	3-6VDC
3	Rated Current	Max.30mA, at 5VDC
4	Sound Output at 10cm	Min.82dB, at 5VDC
5	Resonant Frequency	2700 ± 300 Hz
6	Tone	Continuous
7	Operating Temperature	-20 - +70°C
8	Storage Temperature	-30 - +80°C
9	RoHS	Yes
10	Weight	Approx 1.0g

2、 Dimensions

Unit: mm

Tolerance: ± 0.5mm Except Specified



*Housing Material: Black PPO

CLUE NO.		Des.	Page 3 of 4
Model No.:	Part No.		

3、 Reliability Test

After any following tests the part shall meet specifications without any degradation in appearance and performance except SPL. SPL shall not deviate more than -10 dB from the initial value

3.1 Ordinary Temperature Life Test

The part shall be subjected to 96 hours at $25 \pm 10^\circ\text{C}$. Input rated voltage Resonant frequency, 1/2 duty Square wave.

3.2 High Temperature Test

The part shall be capable of with standing a storage temperature of $+80^\circ\text{C}$ for 96 hours.

3.3 Low Temperature Test

The part shall be capable of with standing a storage temperature of -30°C for 96 hours.

3.4 Humidity Test

Temperature: $+40^\circ\text{C} \pm 3^\circ\text{C}$ Relative Humidity: 90%~95% Duration: 48 hours and expose to room temperature for 6 hours

3.5 Temperature Shock Test

Temperature: 70°C /1hour \rightarrow 25°C /3hours \rightarrow -30°C /1hour \rightarrow 25°C /3hours (1cycle)
Total cycle: 10 cycles

3.6 Drop Test

Standard Packaging From 75cm(Drop on hard wood or board of 5cm thick, three sides, six plain.)

3.7 Vibration Test

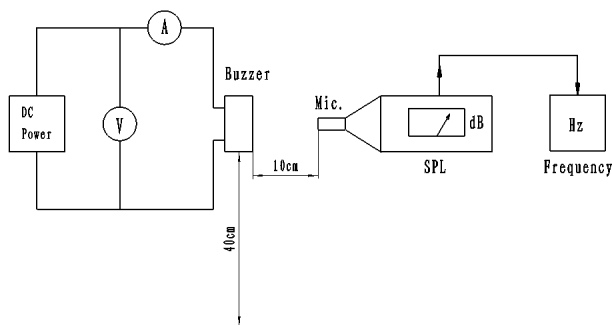
Vibration: 1000cycles /min. Amplitude: 1.5mm, Duration: 1 hour in each 3 axes

Note:

As this product is not protected from foreign material entering, please make sure that any foreign materials (e.g. magnetic powder, washing solvent, flux, corrosive gas) do not enter this product in your production processes. The functional degradation (e.g. SPL down) may occur if foreign material enter it.

4、 Electrical And Acoustical Measuring Condition

a) Recommended Setting



b) Recommended Test Circuit

