

规格书  
Specification


SN12-1P 1.5V

Version #	Spec V1.0
制作日期 Date	2017/12/20
准备 <b>Prepared</b>	Yi sheng Acoustic specialist, R&D Dept.
承认 <b>Approved</b>	Qian baolong Executive Manager, R&D Dept.

1.适用范围：本规范适用于 SN12-1P 1.5V 蜂鸣器。

This specifications apply the SN12-1P 1.5V buzzer.

2.基本规格/General specificat

项目/Item		规格/Spec	条件/Condition
1	额定电压 Rated voltage	1.5V	
2	工作电压 Operation voltage	1~3 V	
5	振荡频率 Oscillation frequency	2048Hz	
6	直流电阻 Direct Current Resistanc	16±4 欧	
7	工作温度范围 Range of operation temperature	-20~+85°C	
8	保存温度范围 Range of preservation temperature	-40~+85°C	
9	平均消费电流 Average consumption current	Max 30mA	应用额定电压、额定频率方波，1/2 责任标准状态。 Applying rated voltage, rated frequency Square wave,1/2 duty subject to standard state
10	声压 Sound Pressure Level=SPL	85dB	距离 10 厘米，施加额定的电压，额定的频率方波，1/2duty 到标准状态 Distance at 10cm,applying rated voltage, rated frequency square wave,1/2duty subject to standard state.
11	重量 Mass	2g	
12	材质	PPO	

☆标准状态：常温（15~35℃），湿度（25~85%相对湿度），空气压力（860~1060hpa）

在假设的情况判断，测试是一基本状态下进行。

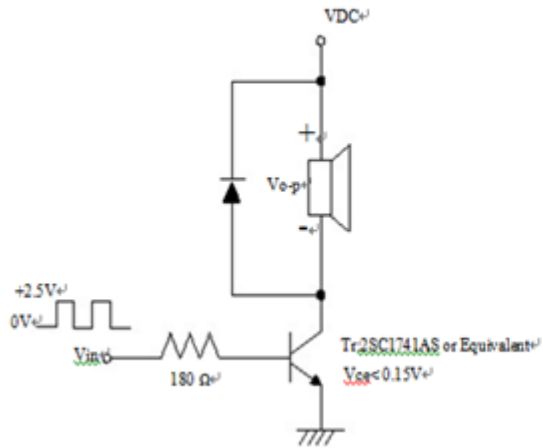
Standard State:Ordinary Temp(15~35℃),Humidity(25~85%RH),Air pressure(860~1060hPa)

In case of doubtful judgment,the test is re-performed under Basic State.

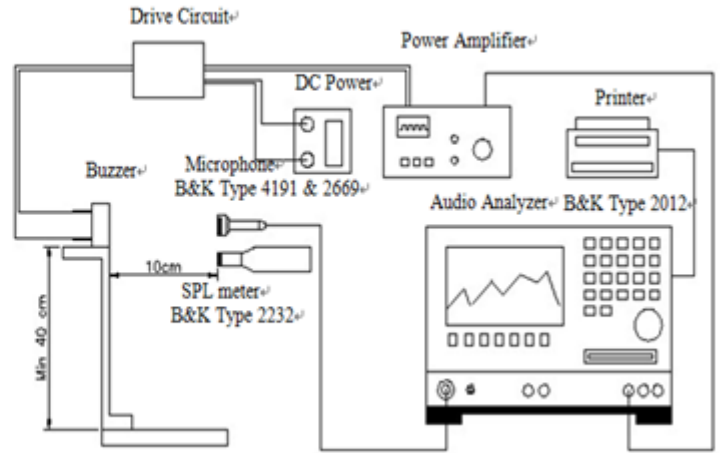
☆基本情况：温度。（20±3℃），湿度（60~70%相对湿度），空气压力（860~1060hpa）

Basic State: Temp.(20±3℃),Humidity(60~70%RH),Air pressure(860~1060hPa)

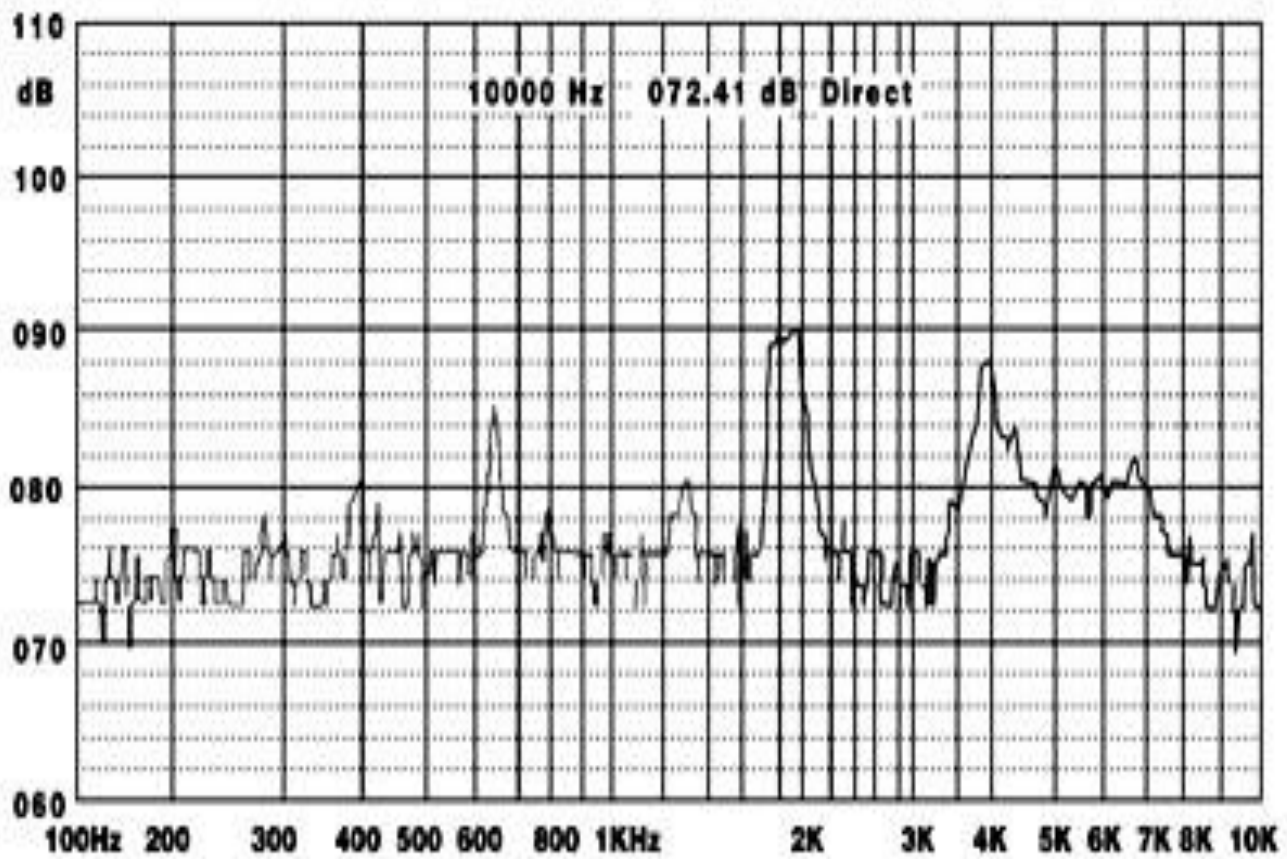
<标准驱动电路>/<Standard Drive Circuit>

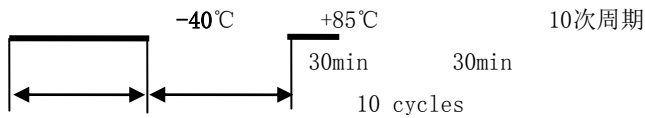
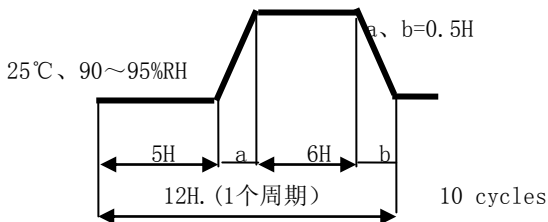


<标标测试治具>/<Standard Test Fixture>



<频率响应曲线>/<Frequency Response Curve>

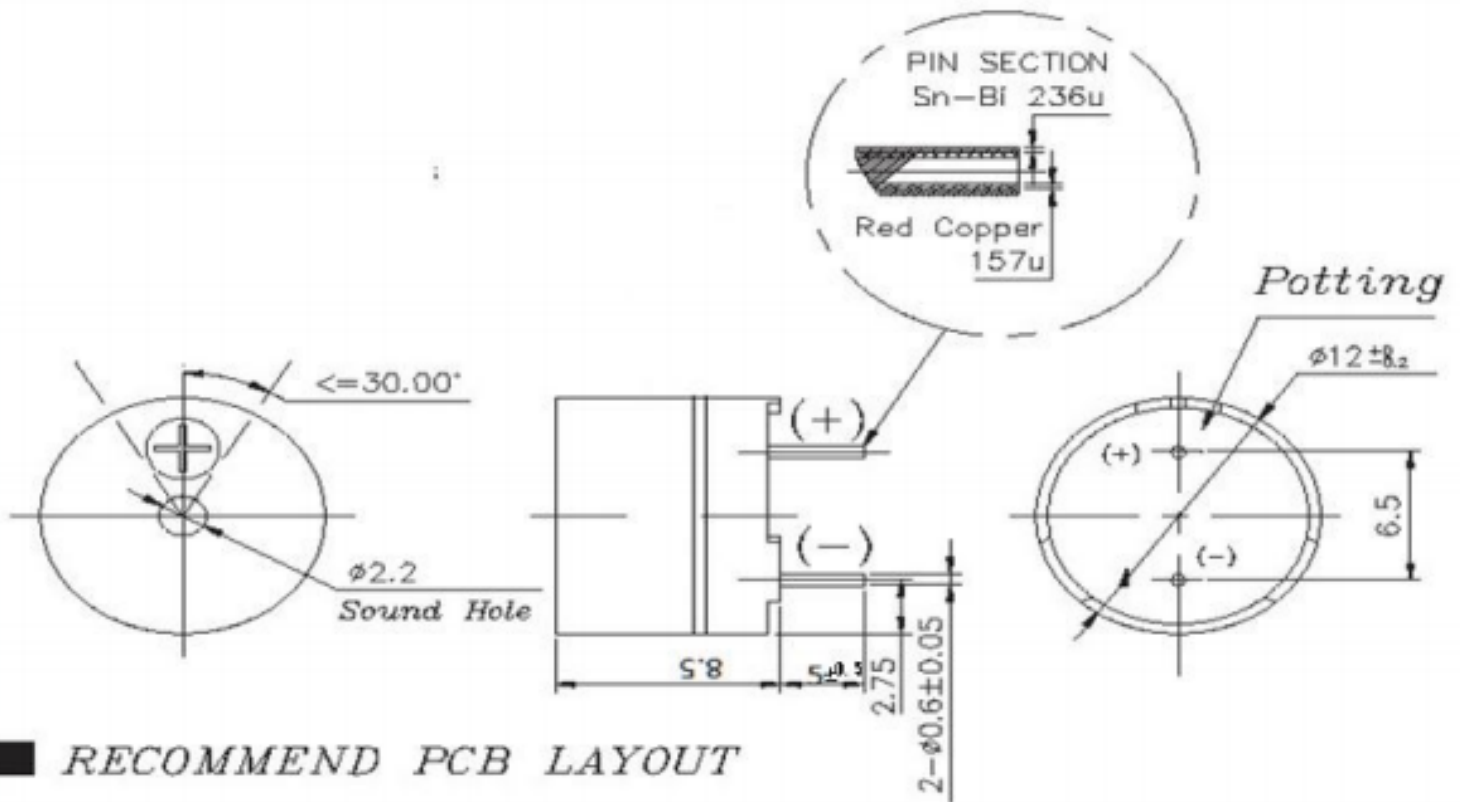


项目/Item		试验条件/Test condition	判断标准/Criteria
1	高温保存试验 High temperature Preservation	+85℃环境下放置96小时 Exposure to +85℃ for 96 hrs.	经过测试,符合规格,没有任何不合格的外观和性能,除了S.P.L 的性能 S.P.L 应 77dB 或更多。 After the test the part shall meet specifications without Any degradation in appearance and performance except S.P.L S.P.L shall be 77dB or more.
	低温保存试验 Low temperature preservation	-40℃环境下放置96小时 Exposure to -40℃ for 96 hrs.	
3	耐温试验 Thermal Shock	 <p>10次周期</p>	
4	温湿度试验 Thermal, Humidity Shock	 <p>10 cycles</p>	
5	常温寿命试验 Ordinary Temp. Life	常温 (25℃±10℃) 电压1.5VDC连续测试1000小时 Driving the sounder at 1.5VDC for 1000hrs in the room temperature (25℃±10℃)	
6	高温寿命试验 High Temp. Life	高温 (+85℃) 电压1.5VDC连续测试500小时 Driving the sounder at 1.5VDC for 500hrs in the low temperature (+85℃)	
7	低温寿命试验 Low Temp. Life	低温 (-20℃) 电压1.5VDC连续测试500小时 Driving the sounder at 1.5VDC for 500hrs in the low temperature (-40℃)	
8	振动试验 Vibration	10~55~10Hz正弦波测试1分钟, 振幅 1.52mm 最大91m/S <sup>2</sup> X, Y, Z三个方向每个2小时总计6小时 10~55~10Hz Sinewave, Sweep 1 min, Amplitude 1.52mm Max91m/S <sup>2</sup> X, Y, Z 3Direction 2hrs each, Total 6hrs	
9	自由掉落试验 Free drop	70cm高自由掉落到厚40mm的木板上, 每个方向一次 Free drop, 70cm height, on wood board (t40mm) X, Y, Z 3Direction 1time each, total 3times.	排除弯曲的针 Exclude bending of Pin
10	引脚可焊性试验 Solderability	40℃, 相对湿度90~95%RH放置240小时, 370±5℃焊接温度。浸泡时间: 6±0.5sec。 Pretreatment: 40℃, 90~95%RH*240hrs Soldering into solderbath: Solder Temp. 370±5℃ Soaking Time: 6±0.5sec	引脚95%必须覆盖着焊料 95% surface of lead pins must be covered with fresh solder and no soldering holes Should be found
11	波峰焊耐热试验 Solder heat resistance	250±5℃焊接温度。浸泡时间3±0.5sec Soldering into solderbath: Solder Temp. 250±5℃ Soaking Time: 3±0.5sec	经过测试,符合规格,没有任何不合格的外观和性能 After the test the part Shall meet specifications without any degradation in appearance and performance
12	耐洗性试验 Washability	溶剂: 去离子水, 溶剂温度: 55±5℃, 浸泡时间: 5±0.5分钟 Solvent: deionized water, Solvent temp: 55±5℃ Soaking time: 5±0.5minutes	

13	引脚拉力试验 Lead strength	10N的拉力在引脚上拉10±1秒 Pull load on the direction of the terminal axis for 10±1 sec.	
14	绝缘电阻	测试设备: 兆欧表, 型号: ZC25-4 电压等级: 500V	≥ 100兆欧
15	耐压测试	AC 500V 1分钟	无击穿

# ※ WAVE SOLDER AND WASH ALLOWED.

## ■ DIMENSION



## ■ RECOMMEND PCB LAYOUT

