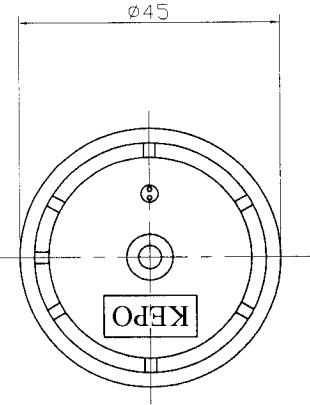
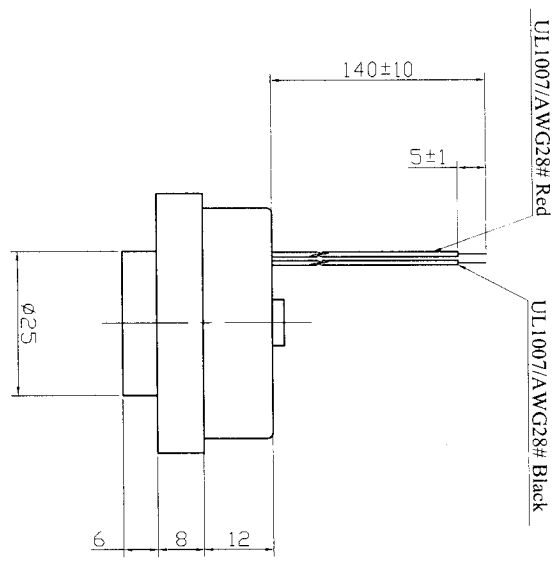


# SPECIFICATION



1. Rated Voltage ..... 24VDC.
  2. Operating Voltage ..... 6~30VDC.
  3. Max. Rated Current ..... 35mA at 24VDC
  4. Min. Sound Pressure Level..... 100 at 24VDC/30cm
  5. Tone Nature ..... Continuous
  6. Resonant Frequency ..... 3.2±0.5KHz.
  7. Shell Material/Color..... ABS/White
  8. Operating Temperature ..... -20~+60°C.
  9. Store Temperature ..... -30~+70°C .
  10. Weight ..... 21g.
- Red(红)..... Positive(+)  
Black(黑)..... Negative(-)

Compliance with ROHS		KEPO NINGBO KEPO ELECTRONIC CO.,LTD <a href="http://www.chinaacoustic.com">http://www.chinaacoustic.com</a>	
No.	DESCRIPTION	APPROVED	DATE
	Piezo Buzzer		
	KPI-G4510L-24		
DRAWN	DATE	APPROVED	DATE
07.12.25			
CHECKED	DATE	APPROVED	DATE
07.12.25			
UNIT: mm	SCALE: NOT TO SCALE	SHEET	TOTAL
			1/1