


SPECIFICATION FOR APPROVAL

PIEZO BUZZER

Model Name	
Note	

Product Photo	Cre-Sound
	DRAWING: 周文占
	CHECKED: 韦娟
	APPROVED: 宋雪琪
Customer Confirmation:	

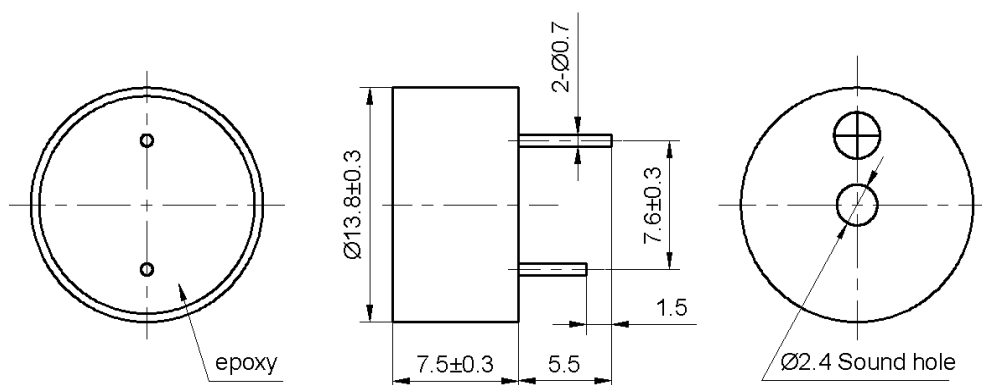
1	Rated Voltage (VDC)	12
2	Operating Voltage (VDC)	3~16
3	*Rated Current (mA)	≤ 12
4	Reverse Current(mA)	≤ 100
5	*Sound Output at 10 cm (dB)	≥ 90
6	*Resonant Frequency (Hz)	4000 ± 500
7	Operating Temperature (°C)	-20 ~ +70
8	Storage Temperature (°C)	-30 ~ +80
9	Weight (g)	0.8
10	RoHS	Yes
11	Housing Material	PPO
Remark: <u>The special requirements in the test for no anti reverse connection.</u>		

*Value applying rated voltage (DC)

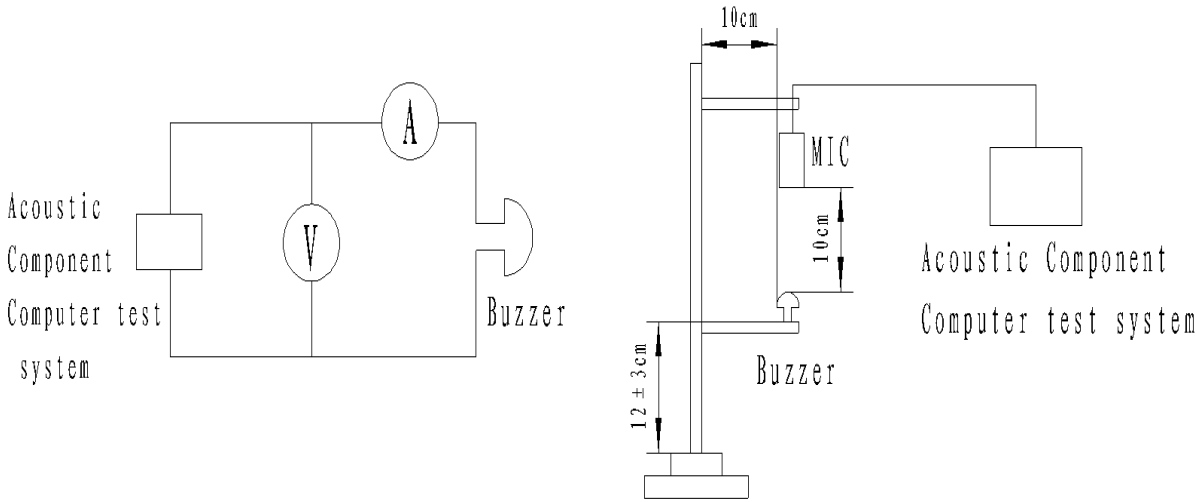
*Test Basic State: Temp($20 \pm 2^\circ\text{C}$), Humidity(40~70%RH), Air pressure(860~1060hPa).

DIMENSIONS (UNIT: mm)

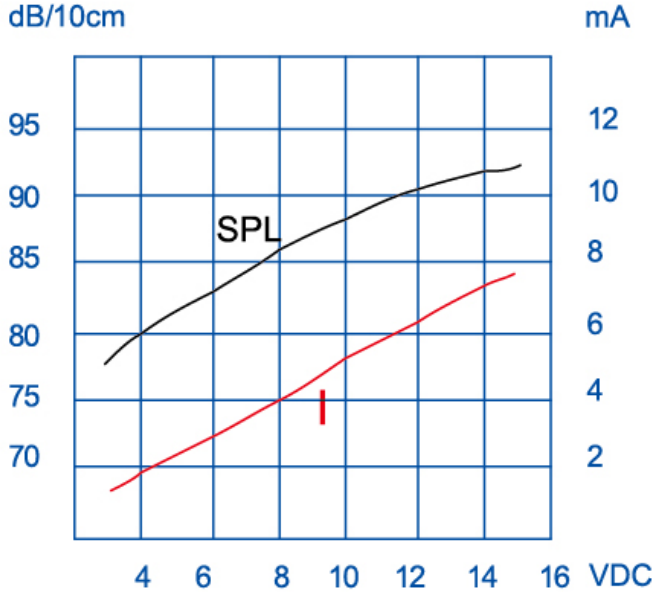
Tolerance: $\pm 0.5\text{mm}$ Except Specified



TEST METHOD:



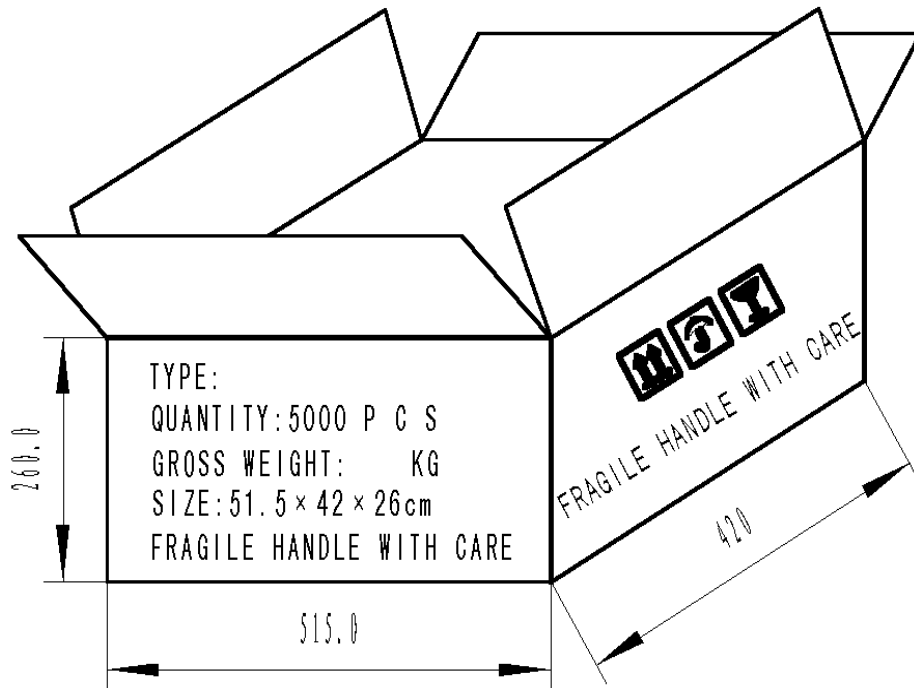
SPL & Current Consumption vs. Input Voltage



RELIABILITY TEST:

NO.	ITEM	TESTING CONDITION	VARIANCE AFTER TEST
1	Humidity	$40 \pm 2^{\circ}\text{C}$, 93(+2/-3)%RH, 96HRS	All specifications must be satisfied after the test.
2	High temp.	$+80 \pm 2^{\circ}\text{C}$, 96HRS	
3	Low temp.	$-30 \pm 2^{\circ}\text{C}$, 96HRS	
4	Temperature cycling	$-30 \pm 2^{\circ}\text{C}$, 30minutes room temp. 15minutes $+80 \pm 2^{\circ}\text{C}$, 30minutes room temp. 15minutes 5 cycles	
5	Drop test	3 times from height of 70cm onto the surface of 10mm thick wooden board.	
6	Vibration test	Make the test for the directions of X Y and Z (total 0.5 hours). To-and-fro. sweep time (from 10 to 55 Hz and then 55 to 10) under single amplitude of 10mm is 3minute.	
7	Solder heat resistance	The part leads (pins) shall be immersed in molten solder maintained at $260 \pm 5^{\circ}\text{C}$ for a period of 10 seconds. Refer to GB2423.28.	After the test part shall meet specifications without any degradation in appearance and performance.

PACKING:



NOTES:

- 1.100 PCS per box
- 2.Total 50 boxes per carton
- 3.Total 5000 PCS carton
- 4.Volume:51.5 × 42 × 26cm