



SPECIFICATION FOR APPROVAL

PIEZO TRANSDUCER

Model Name	
Note	

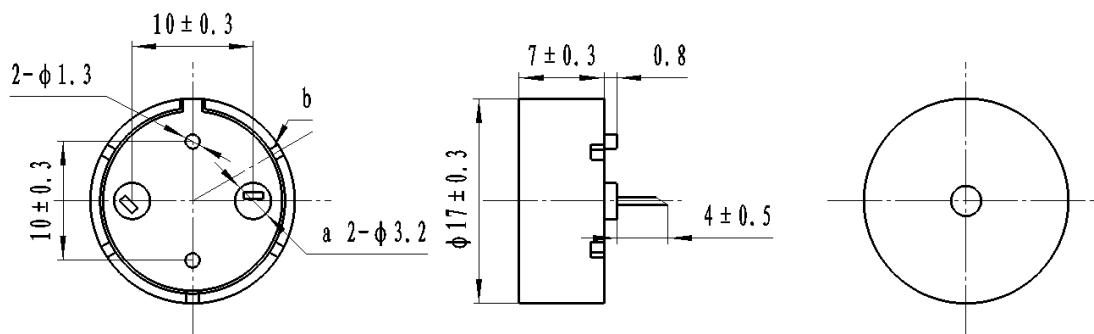
Product Photo	Cre-Sound
	DRAWING: 姚宝鑫
	CHECKED: 李小芬
	APPROVED: 宋雪琪

1	Rated Voltage (Vrms)	12
2	Resonance Frequency (KHz)	4.0 ± 0.5
3	Max Input Voltage (Vp-p)	30
4	*Rated Current (mA)	≤ 12
5	Capacitance at 120Hz (pF)	$15000 \pm 30\%$
6	*Sound Output at 10cm (dB)	≥ 90
7	Operating Temperature (°C)	-20~+70
8	Storage Temperature (°C)	-30~+80
9	Weight (g)	1.2
10	Housing Material	PPO
11	RoHS	Yes

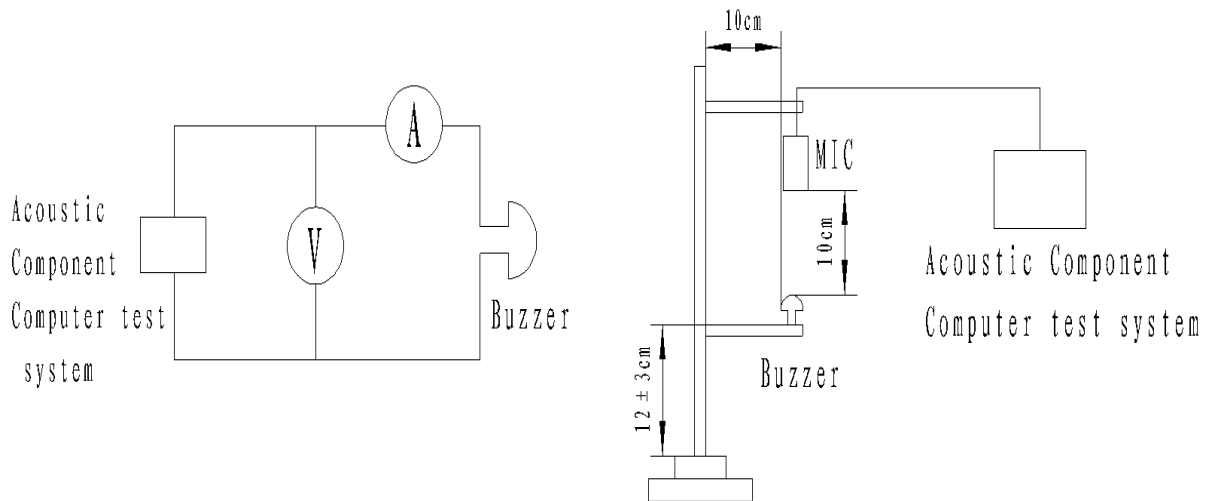
*Applying rated voltage (Resonant frequency, sine wave)

DIMENSIONS (UNIT: mm)

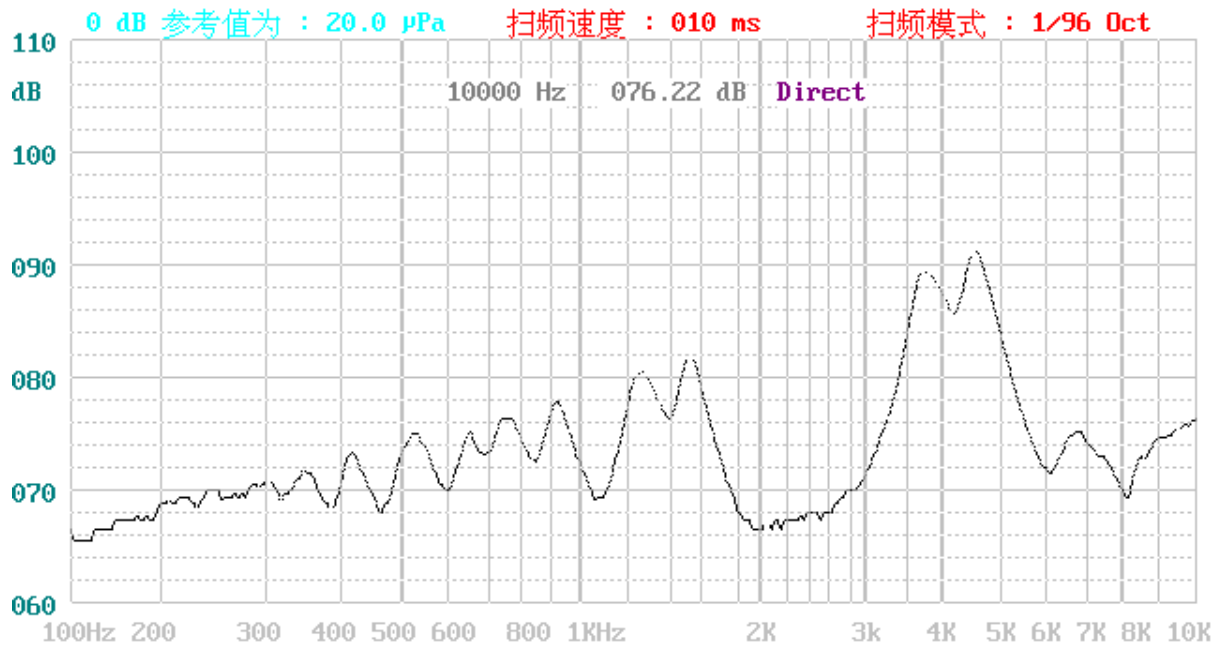
Tolerance: ± 0.5 mm Except Specified



TEST METHOD:



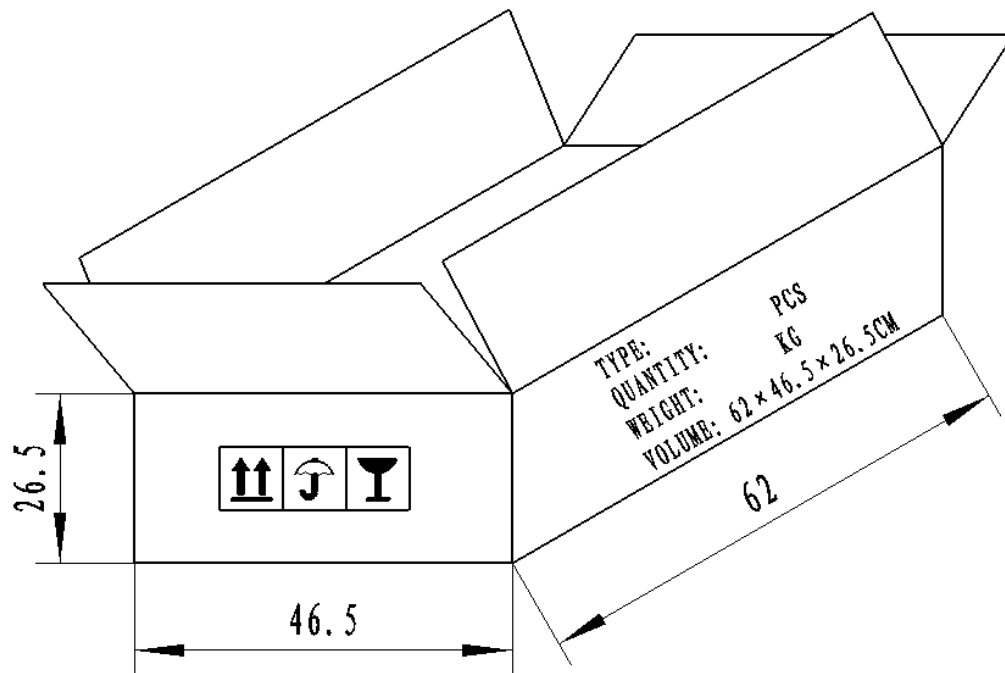
FREQUENCY RESPONSE:



RELIABILTY TEST:

NO.	ITEM	TESTING CONDITION	VARIANCE AFTER TEST
1	Humidity	$40 \pm 2^{\circ}\text{C}$, 93(+2/-3)%RH, 96HRS	All specifications must be satisfied after the test.
2	High temp.	$+80 \pm 2^{\circ}\text{C}$, 96HRS	
3	Low temp.	$-30 \pm 2^{\circ}\text{C}$, 96HRS	
4	Temperature cycling	$-30 \pm 2^{\circ}\text{C}$, 30minutes room temp. 15 minutes $+80 \pm 2^{\circ}\text{C}$, 30 minutes room temp. 15 minutes 5 cycles	
5	Drop test	3 times from height of 70cm onto the surface of 10mm thick wooden board.	
6	Vibration test	Make the test for the directions of X Y and Z (total 0.5 hours). To-and-fro. sweep time (from 10 to 55 Hz and then 55 to 10) under single amplitude of 1.0mm is 1 minute.	
7	Solder heat resistance	The part leads (pins) shall be immersed in molten solder maintained at $250 \pm 10^{\circ}\text{C}$ for a period of 30 seconds.	After the test part shall meet specifications without any degradation in appearance and performance.

PACKING:



NOTE:

1.50 PCS per box

2.Total 80 boxes per carton

3.Total 4000 PCS a carton

4.Volume:62 × 46.5 × 26.5cm