


# SPECIFICATION FOR APPROVAL

## PIEZO TRANSDUCER

Model Name	
Note	

Product Photo	Cre-Sound
	DRAWING: 周文占
	CHECKED: 韦娟
	APPROVED: 宋雪琪
<b>Customer Confirmation:</b>	



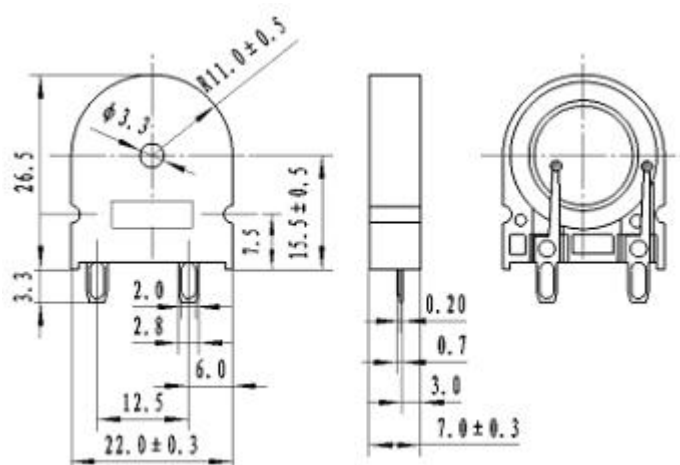
1	Rated Voltage (Vp-p)	9
2	Resonance Frequency (Hz)	2000±500
3	Max Input Voltage (Vp-p)	25
4	* Rated Current (mA)	≤9
5	Capacitance at 120Hz (pF)	20000±30%
6	* Sound Output at 10cm (dB)	≥85
7	Operating Temperature (°C)	-20~+60
8	Storage Temperature (°C)	-30~+70
9	Weight (g)	2.5
10	Housing Material	PBT
11	ROHS	Yes

\*Applying rated voltage (at 4.0KHZ frequency, square wave)

\*Test Basic State: Temp(20±2°C),Humidity(40~70%RH),Air pressure(860~1060hPa).

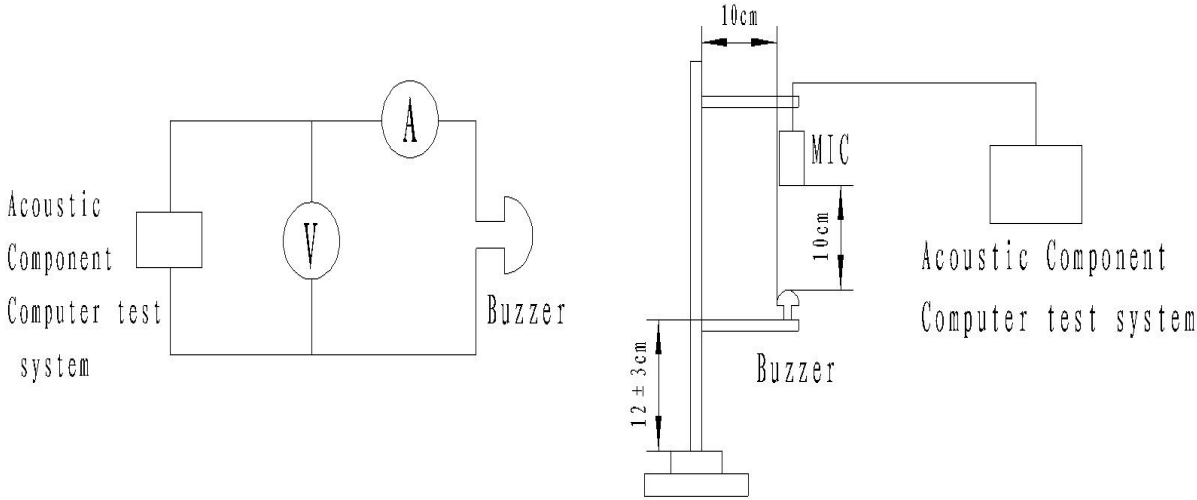
### DIMENSIONS (UNIT: mm)

Tolerance: ±0.5mm Except Specified

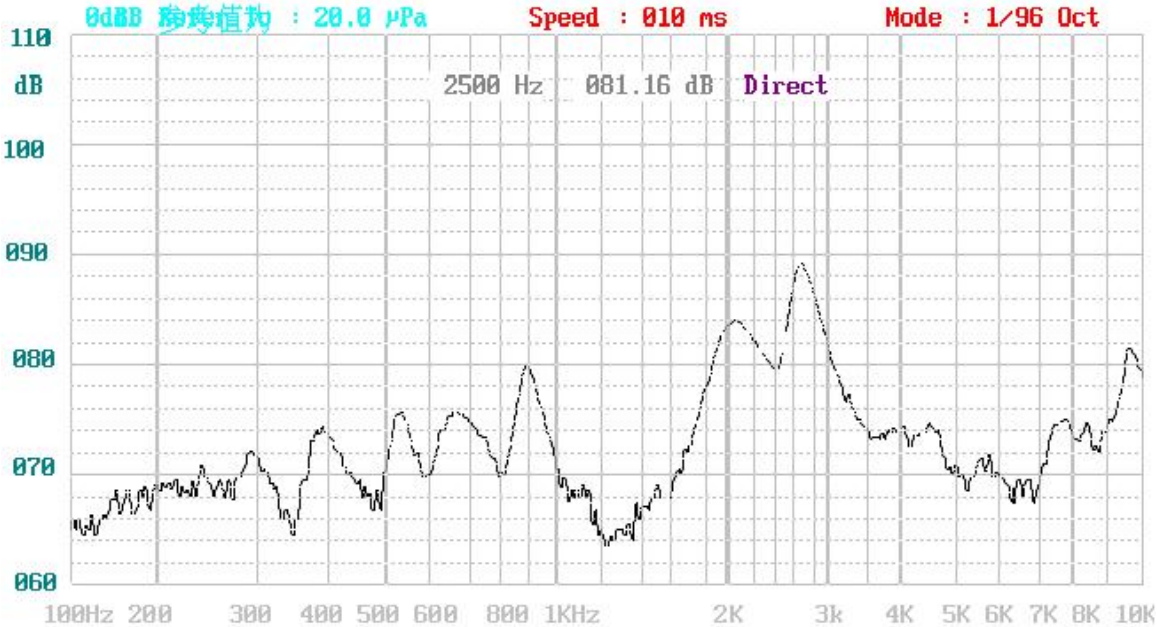


\*Housing Material: PBT

**TEST METHOD:**



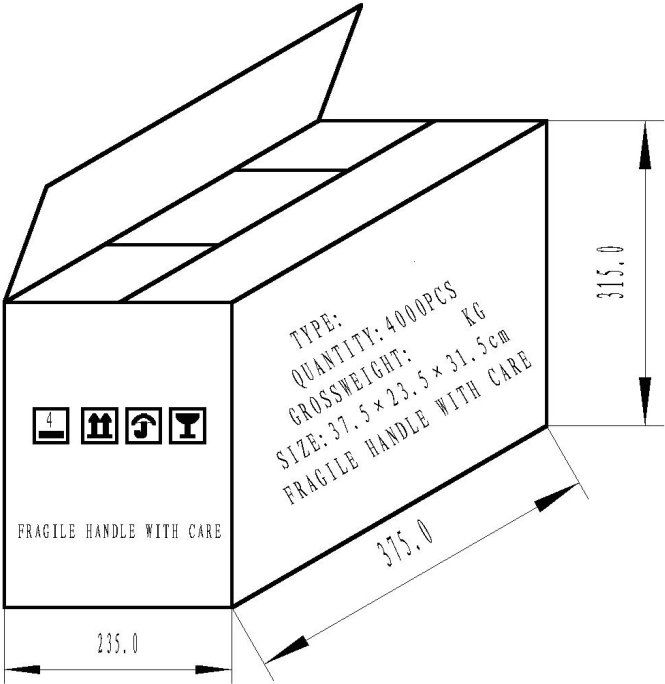
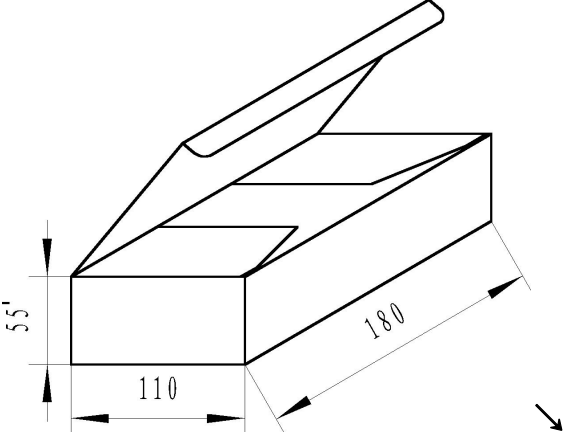
**FREQUENCY RESPONSE:**



## RELIABILITY TEST:

NO.	ITEM	TESTING CONDITION	VARIANCE AFTER TEST
1	Humidity	$40 \pm 2^{\circ}\text{C}$ , 93(+2/-3)%RH, 96HRS	All specifications must be satisfied after the test.
2	High temp.	$+70 \pm 2^{\circ}\text{C}$ , 96HRS	
3	Low temp.	$-30 \pm 2^{\circ}\text{C}$ , 96HRS	
4	Temperature cycling	$-30 \pm 2^{\circ}\text{C}$ , 30minutes room temp. 15 minutes $+70 \pm 2^{\circ}\text{C}$ , 30 minutes room temp. 15 minutes 5 cycles	
5	Drop test	3 times from height of 70cm onto the surface of 10mm thick wooden board.	
6	Vibration test	Make the test for the directions of X Y and Z (total 0.5 hours). To-and-for sweep time (from 10 to 55 Hz and then 55 to 10) under single amplitude of 1.0mm is 1 minute.	
7	Solder heat resistance	The part leads (pins) shall be immersed in molten solder maintained at $260 \pm 5^{\circ}\text{C}$ for a period of 10 seconds.Refer to GB2423.28	After the test part shall meet specifications without any degradation in appearance and performance.

**PACKING:**



- NOTES:
- 1. 200 PCS per plate
  - 2. Total 20 plates per box
  - 3. Total 4000 PCS box
  - 4. Volume: 37.5 x 23.5 x 31.5cm