


SPECIFICATION FOR APPROVAL

PIEZO ELECTRIC SOUNDER

Model Name	
Note	

Product Photo	Cre-Sound
	DRAWING: 苗利台
	CHECKED: 韦娟
	APPROVED: 宋雪琪
Customer Confirmation:	

PIEZO ELECTRICSOUNDER

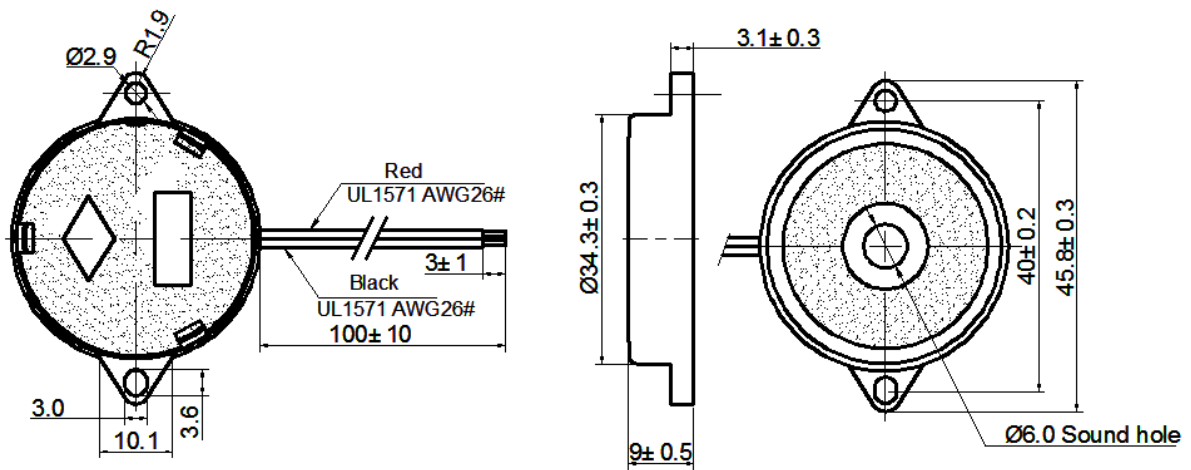
1	Model No.	
2	Rated Voltage (VDC)	12
3	Operating Voltage (Vp-p)	1~30
4	Capacitance 120Hz (PF)	50000±30%
5	*Sound Output at 30cm (dB)	≥80
6	Operating Temperature (°C)	-30~+80
7	Rated Current (mA)	≤12
8	Storage Temperature (°C)	-30~+80
9	Weight (g)	6
10	Case material and colour	ABS(777D) / Black
11	RoHS	Yes

*Applying rated voltage (at 1.1kHz frequency, Square wave)

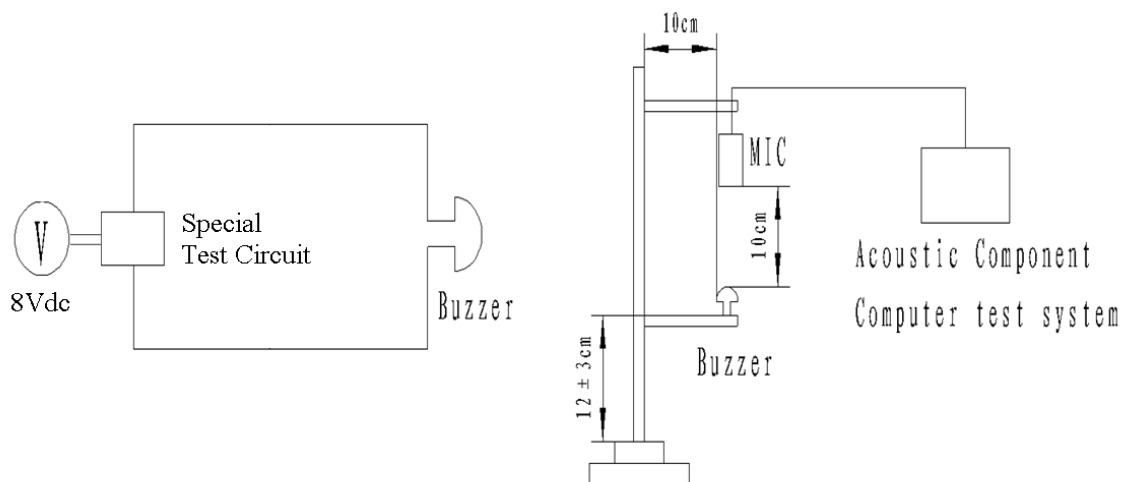
*Test Basic State: Temp($20 \pm 2^{\circ}\text{C}$), Humidity(40~70%RH), Air pressure(860~1060hPa).

DIMENSIONS (UNIT: mm)

Tolerance: $\pm 0.5\text{mm}$ Except Specified



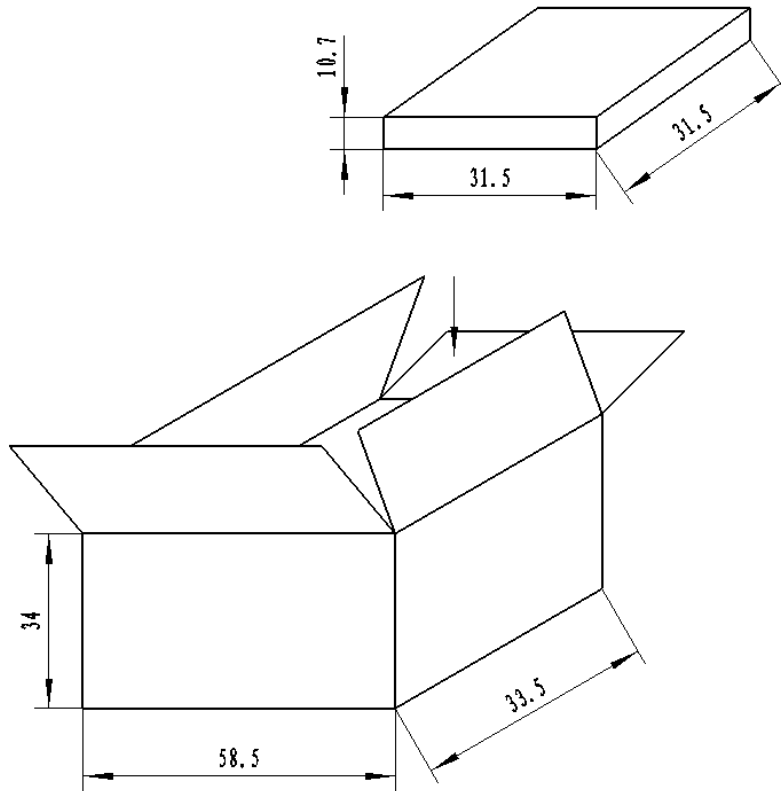
TEST METHOD:



RELIABILITY TEST:

NO.	ITEM	TESTING CONDITION	VARIANCE AFTER TEST
1	Humidity	$40 \pm 5^{\circ}\text{C}$, 93(+2/-3)%RH, 96HRS	All specifications must be satisfied after the test.
2	High temp.	$+80 \pm 2^{\circ}\text{C}$, 96HRS	
3	Low temp.	$-30 \pm 2^{\circ}\text{C}$, 96HRS	
4	Temperature cycling	$-30 \pm 2^{\circ}\text{C}$, 30minutes room temp. 15 minutes $+80 \pm 2^{\circ}\text{C}$, 30 minutes room temp. 15 minutes 5 cycles	
5	Drop test	3 times from height of 70cm onto the surface of 10mm thick wooden board.	
6	Vibration test	Make the test for the directions of X Y and Z (total 0.5 hours). To-and-fai. sweep time (from 10 to 55 Hz and then 55 to 10) under single amplitude of 1.0mm is 1 minute.	

PACKING:



NOTES:

- 1.300 PCS per box
- 2.Total 5 boxes per carton
- 3.Total 1500 PCS carton
- 4.Volume: $58.5 \times 33.5 \times 34\text{cm}$