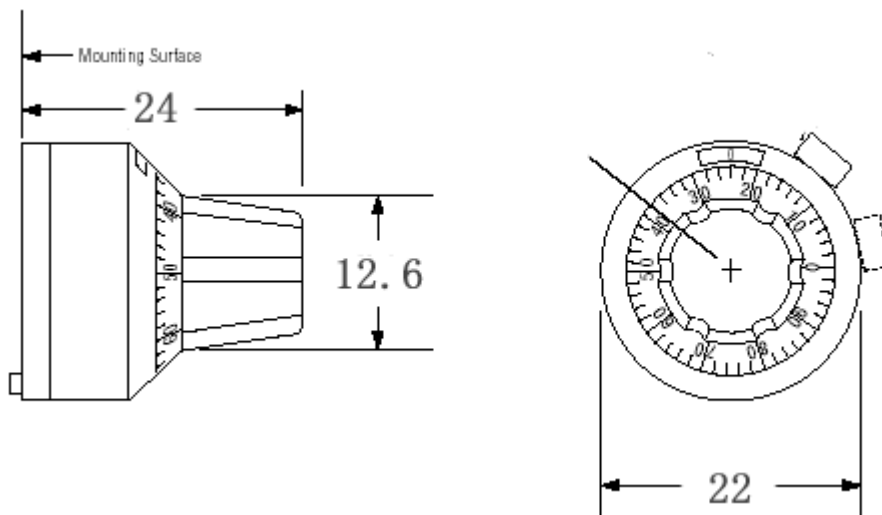


## Picture



## Dimension



## Characteristics

Model	external diameter	height	axle hole diameter	Shaw center distance	Number of turns	character displaying on window	Fix way
H-23-6A	22 mm	24 mm	6.35 mm	9 mm	0~9	One digit	Fixed by screw