

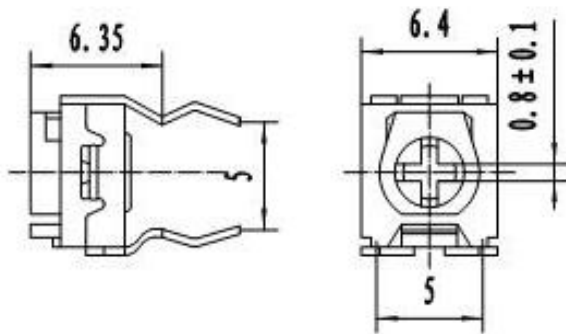
Potentiometer	PO RM65xxxxm
---------------	--------------

Performance in details

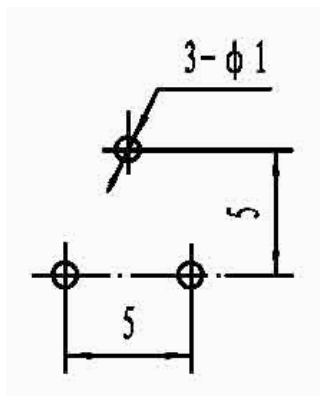
Electrical performance	Rated dissipation	0.1W (50° )
	Rated voltage	DC 50V
	Resistance range& tolerance	100 Ω ~ 1M Ω ± 20% 1M Ω < R ≤ 2. 2M Ω ± 30%
	Resistance taper	B
	End resistance	R ≤ 1K Ω : Max 20 Ω R > 1K Ω : Max 2%R
	Rotational noise	≤ 5%R
Mechanical performance	Rotation torque	2-35mN.m
	Stop torque	50mN.m
	Rotation torque	210° ± 10°
	Working temperature rang	-25°C to +60°C

<p>Ambient environmental performance</p>	Mechanical life	cold often wet in no load after 100 cycles	$\Delta R \leq \pm$ (10%R+0.5 $\Omega$ )
	Heat resistant properties	In the 70 $\pm$ 2 $^{\circ}$ C placed 1000 $\pm$ 10 h, in normal temperature on the 1.5 h after	$\Delta R$ in - 30%R ~ 5% R or less
	Wet resistance ability	Temperature 60 $\pm$ 2 $^{\circ}$ C, humidity 90 ~ 95%, and no-load placed 1000 $\pm$ 10 h, 5 h is placed in normal temperature is often wet	R $\leq$ 100K $\Omega$ $\Delta R$ in - 5%R ~ 25% R o less R > 100K $\Omega$ $\Delta R$ in - 5%R ~ 35% R o less
	Resistance to fall of	From 1 m height natural fall in hardwood desktop three times	No mechanical damage
	Resistance to soldering heat	Will product terminals in 350 + 5 $^{\circ}$ C of molten tin in 5 s, then placed in the normal temperature after 0.5 h again soak for 5 s, and then putting after 1 h at room temperature	No mechanical damage, $\Delta R$ in $\pm$ 1%R R o less solder infiltration area is above 90%
	Vibration resistance	Frequency for 10 ~ 55 Hz, amplitude of 0.75 mm, total for 6 h	$\Delta R \leq \pm 2.5\%R$

Products outline drawing-size specification



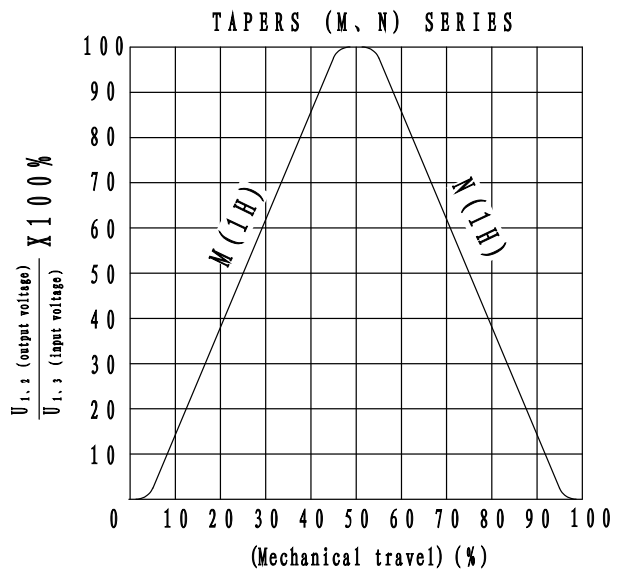
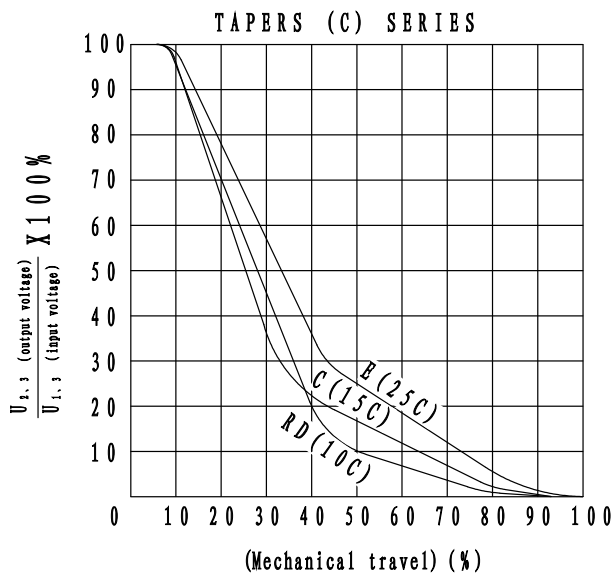
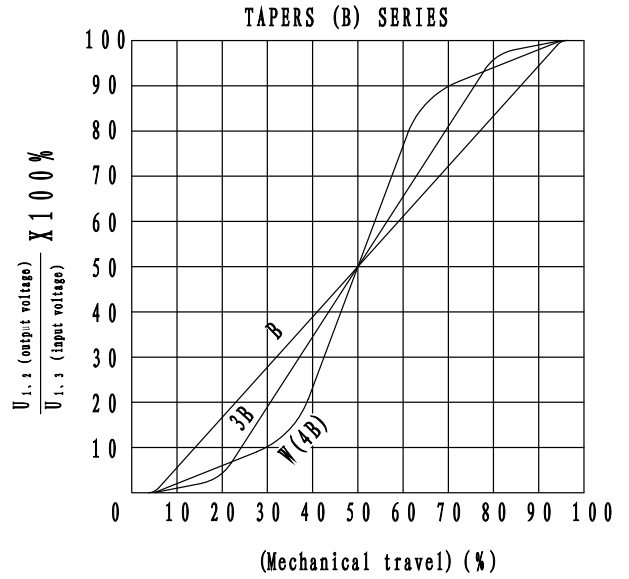
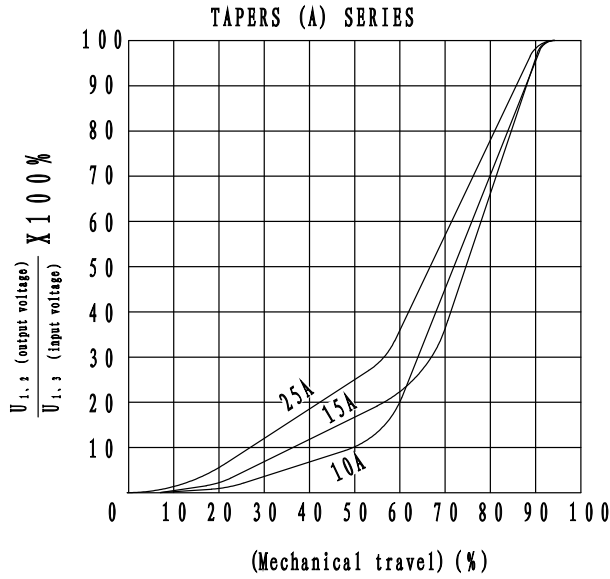
P.C.B(panel)mounting dimension



Products picture



## (Resistance taper schematic)



(resistance taper)	(linear)	(Index)	(Logarithm)
(JIS Standard)	B ✓	A	C