

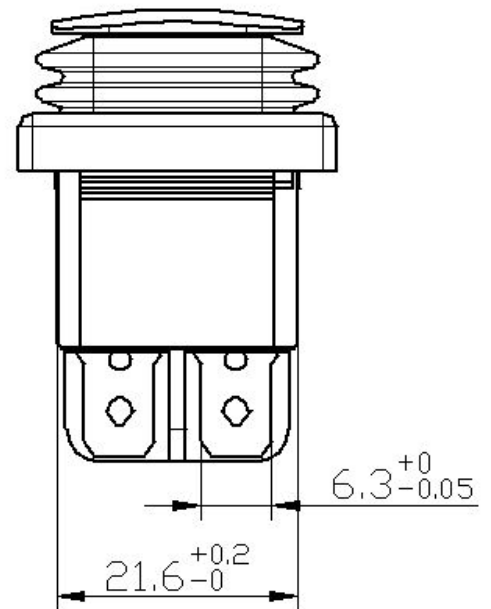
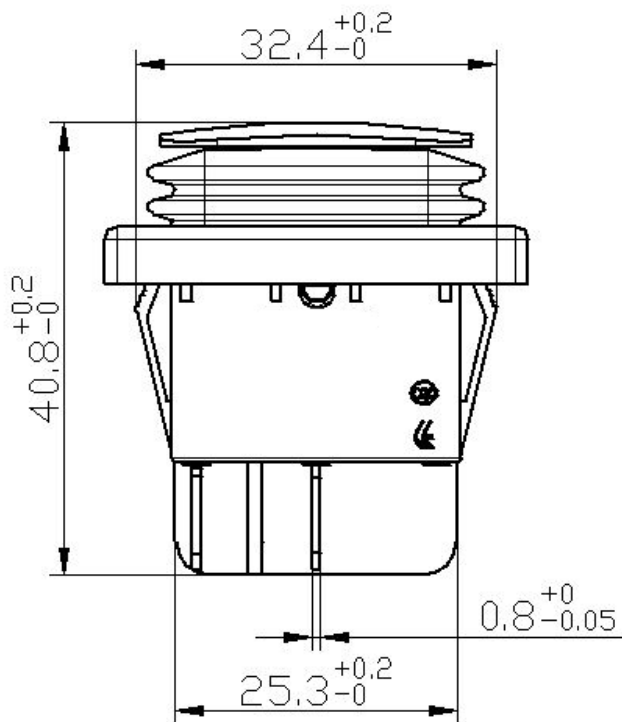
PRZ MIRS4201N-4r

Specifications:



Rocker Switch

Contact Point	Rating	Life time
No Contact	6A/250VAC 10A/125VAC	≥10,000 cycles
Copper Contact	10A/250VAC 16A/125VAC	≥10,000 cycles
Silver Contact	16A/250VAC 20A/125VAC	≥20,000 cycles
Operation Temperature	-25°C~+85°C	
Contact Resistance	≤ 50mΩ	
Insulation Resistance	≥100MΩ	
Dielectric Strength	>1500AC for 1 minute	



Housing	
Actuator	Green/Blue/Yellow/White/Black/ Grey
LED	Green/Blue/Yellow/White
	Without LED/ 12V/ 24V/ 110V/ 380V