

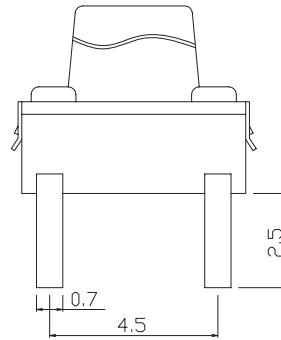
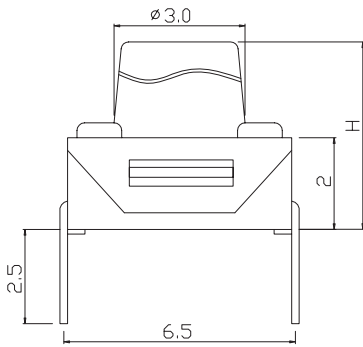
# Switch

## Tact Switch Series

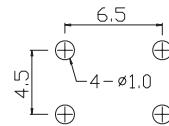
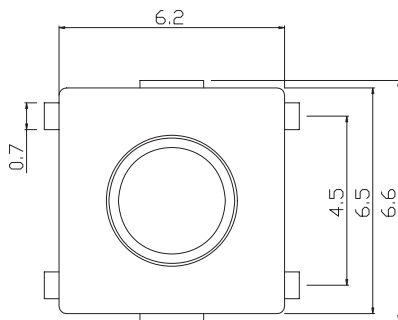
### TS6609 6x6 Tact Switch Series

**ELECTRICAL**

- 1. Rating: 50mA 12VDC
- 2. Contact Resistance : 50mΩ max(initial)
- 3. Insulation Resistance: 100MΩ(minDC 250V)
- 4. Dielectric Strength : AC250V(50/60Hz for 1minute)
- 5. Electrically Life: 100000cycles
- 6. Environment temperature:-20°C~+70°C
- 7. Operating Force: 180/250(±30gf)
- 8. Seal temperature:260°C~ 280°C



H1=2.5mm
H2=2.7mm
H3=3.1mm
H4=3.4mm
H5=3.8mm
H6=5.1mm



PCB LAYOUT

## ORDER INFORMATION

