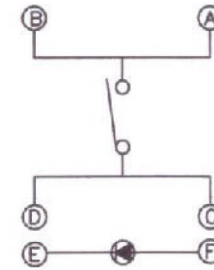


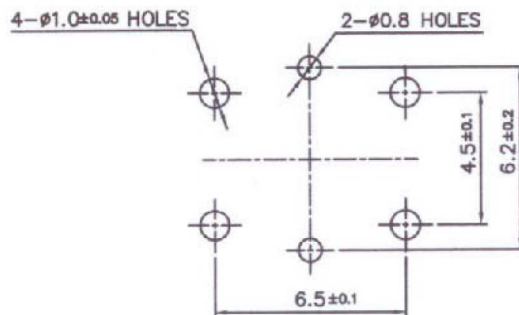
CIRCUIT DIAGRAM



NOTE

1. OPERATING FORCE : 160±50gf
2. TRAVEL : 0.25^{+0.02}₀mm/m
3. CONTACT RESISTANCE : 100mΩ MAX
4. GENERAL TOLERANCE : ±0.3
5. MANUFACTURING SPECIFICATION WOULD BE IN ACCORDANCE WITH MT0104

PCB DIMENSION



PART NO	PART NAME	Q'TY	MATERIAL	STANDARD	DISPOSITION	REMARKS
△			TRIGON-OMETRY	UNIT	SCALE	TACT SWITCH
△			APPD	CHKD	DSGD	
△						
△						
△						
NO	CORRECTION	6/25/27	06.5.26			MODEL