



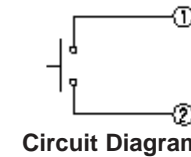
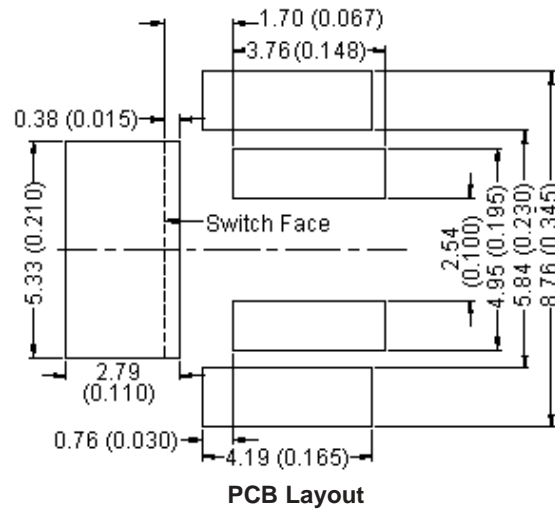
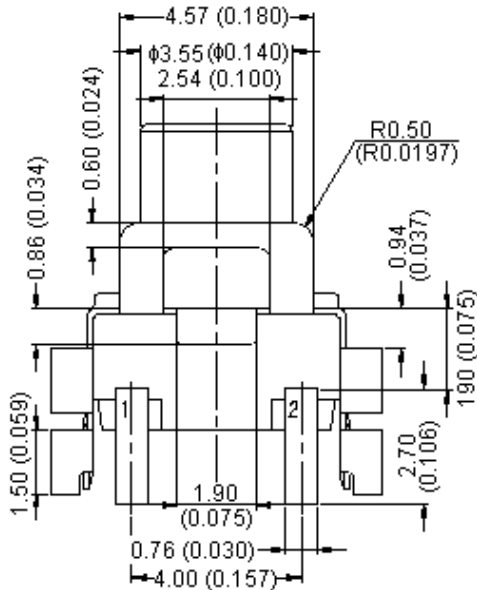
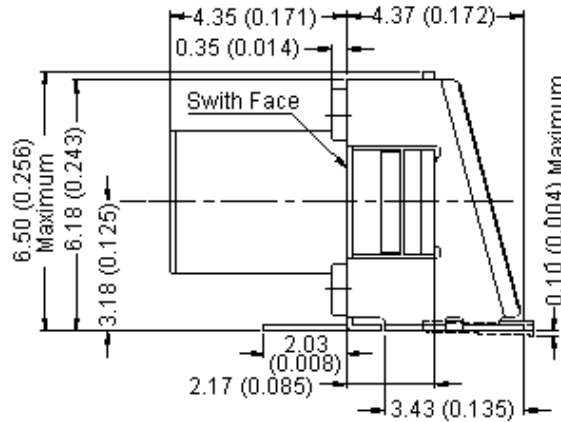
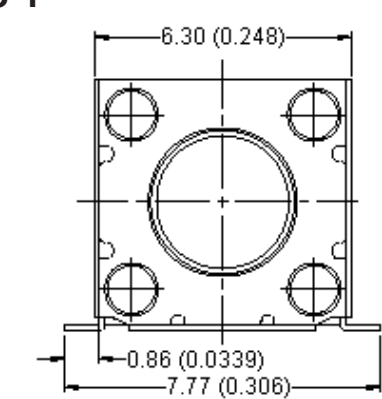
PART NO.

MCTA3 - Series

REVISIONS

ECN #	REV	DESCRIPTION	DRAWN	DATE	CHECKD	DATE	APPRVD	DATE
-	A	RELEASED	Geetha	18/6/08	Suresh	18/6/08	G. C	02/7/08

TA3-1



Dimensions : Millimetres (Inches)

This data sheet and its contents (the "Information") belong to the Premier Farnell Group (the "Group") or are licensed to it. No licence is granted for the use of it other than for information purposes in connection with the products to which it relates. No licence of any intellectual property rights is granted. The Information is subject to change without notice and replaces all data sheets previously supplied. The Information supplied is believed to be accurate but the Group assumes no responsibility for its accuracy or completeness, any error in or omission from it or for any use made of it. Users of this data sheet should check for themselves the Information and the suitability of the products for their purpose and not make any assumptions based on information included or omitted. Liability for loss or damage resulting from any reliance on the Information or use of it (including liability resulting from negligence or where the Group was aware of the possibility of such loss or damage arising) is excluded. This will not operate to limit or restrict the Group's liability for death or personal injury resulting from its negligence. SPC MULTICOMP is the registered trademark of the Group. © Premier Farnell plc 2008.

TOLERANCES:
UNLESS OTHERWISE SPECIFIED, DIMENSIONS ARE FOR REFERENCE PURPOSES ONLY.

DRAWN BY:	DATE:
Geetha	18/06/08
CHECKED BY:	DATE:
Suresh	18/06/08
APPROVED BY:	DATE:
G.Cook	02/07/08

DRAWING TITLE:			
TACT Switch - Right Angle			
SIZE	DWG NO.	ELECTRONIC FILE	REV
A	M10001249	TA3 Datasheet_DWG	A
SCALE: NTS		U.O.M.: mm (Inches)	SHEET: 1 OF 5



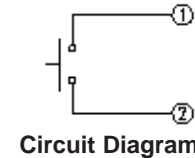
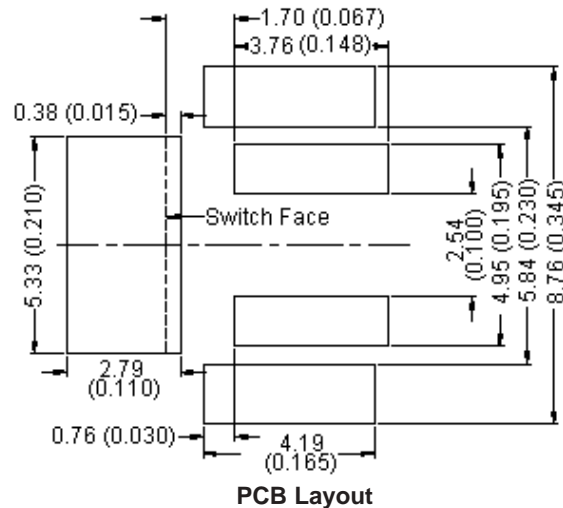
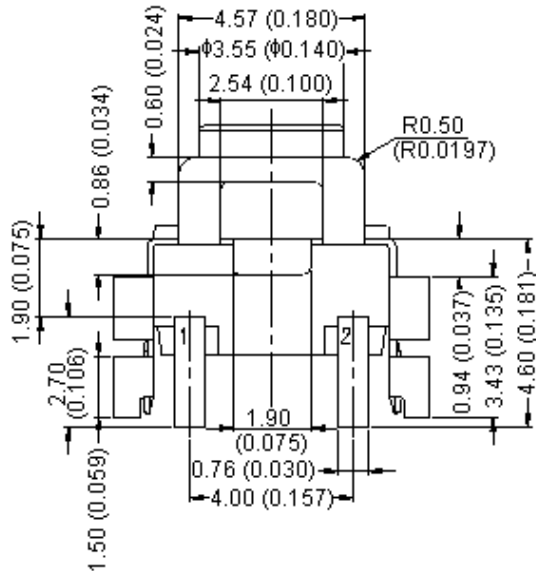
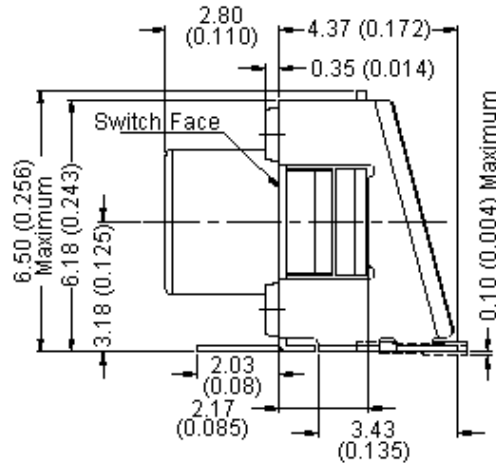
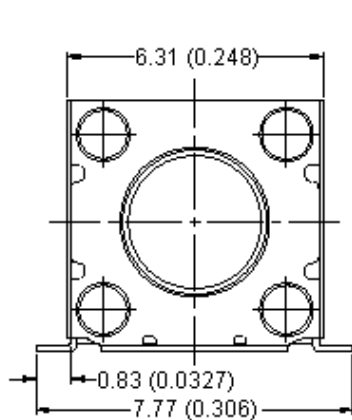
PART NO.

MCTA3 - Series

REVISIONS

ECN #	REV	DESCRIPTION	DRAWN	DATE	CHECKD	DATE	APPRVD	DATE
-	A	RELEASED	Geetha	18/6/08	Suresh	18/6/08	G. C	02/7/08

TA3-2



Dimensions : Millimetres (Inches)

This data sheet and its contents (the "Information") belong to the Premier Farnell Group (the "Group") or are licensed to it. No licence is granted for the use of it other than for information purposes in connection with the products to which it relates. No licence of any intellectual property rights is granted. The Information is subject to change without notice and replaces all data sheets previously supplied. The Information supplied is believed to be accurate but the Group assumes no responsibility for its accuracy or completeness, any error in or omission from it or for any use made of it. Users of this data sheet should check for themselves the Information and the suitability of the products for their purpose and not make any assumptions based on information included or omitted. Liability for loss or damage resulting from any reliance on the Information or use of it (including liability resulting from negligence or where the Group was aware of the possibility of such loss or damage arising) is excluded. This will not operate to limit or restrict the Group's liability for death or personal injury resulting from its negligence. SPC MULTICOMP is the registered trademark of the Group. © Premier Farnell plc 2008.

TOLERANCES:
UNLESS OTHERWISE SPECIFIED, DIMENSIONS ARE FOR REFERENCE PURPOSES ONLY.

DRAWN BY:	DATE:
Geetha	18/06/08
CHECKED BY:	DATE:
Suresh	18/06/08
APPROVED BY:	DATE:
G.Cook	02/07/08

DRAWING TITLE:			
TACT Switch - Right Angle			
SIZE	DWG NO.	ELECTRONIC FILE	REV
A	M10001249	TA3 Datasheet_DWG	A
SCALE: NTS		U.O.M.: mm (Inches)	SHEET: 2 OF 5



PART NO.

MCTA3 - Series

REVISIONS

ECN #	REV	DESCRIPTION	DRAWN	DATE	CHECKD	DATE	APPRVD	DATE
-	A	RELEASED	Geetha	18/6/08	Suresh	18/6/08	G. C	02/7/08

Specifications:

Mechanical:

Operating force : 180 ±50gf, white (W)
 260 ±50gf, red (R).
 Minimum stroke : 0.15mm.
 Operating temperature range : -25°C to +70°C.
 Storage temperature range : -30°C to +80°C.

Electrical:

Electrical life : 200,000 cycles.
 Rating : 1.5mA, 5V dc.
 Maximum contact resistance : 100mΩ.
 Minimum insulation resistance : 100MΩ at 500V dc.
 Dielectric strength : 250V ac/1 minute.
 Contact arrangement : 1 pole 1 throw.

Material:

Cover : Stainless steel.
 Stem : Nylon high-temperature thermoplastic
 Color : White (180gf), Red (260gf).
 Contact : Stainless with silver plating.
 Block : Nylon high-temperature thermoplastic
 Color : Black.
 Seal : Silicone rubber.
 Base : LCP high-temperature thermoplastic
 Color : Black.
 Terminal : Brass with silver plating.

Soldering Process:

Hand Soldering : Use a soldering iron of 30 watts, controlled at 350°C approximately 5 seconds while applying solder.
Reflow Soldering : When applying reflow soldering, the peak temperature or the reflow over should be set to 260°C maximum.

This data sheet and its contents (the "Information") belong to the Premier Farnell Group (the "Group") or are licensed to it. No licence is granted for the use of it other than for information purposes in connection with the products to which it relates. No licence of any intellectual property rights is granted. The Information is subject to change without notice and replaces all data sheets previously supplied. The Information supplied is believed to be accurate but the Group assumes no responsibility for its accuracy or completeness, any error in or omission from it or for any use made of it. Users of this data sheet should check for themselves the Information and the suitability of the products for their purpose and not make any assumptions based on information included or omitted. Liability for loss or damage resulting from any reliance on the Information or use of it (including liability resulting from negligence or where the Group was aware of the possibility of such loss or damage arising) is excluded. This will not operate to limit or restrict the Group's liability for death or personal injury resulting from its negligence. SPC MULTICOMP is the registered trademark of the Group. © Premier Farnell plc 2008.

TOLERANCES:
 UNLESS OTHERWISE SPECIFIED, DIMENSIONS ARE FOR REFERENCE PURPOSES ONLY.

DRAWN BY:	DATE:
Geetha	18/06/08
CHECKED BY:	DATE:
Suresh	18/06/08
APPROVED BY:	DATE:
G.Cook	02/07/08

DRAWING TITLE:			
TACT Switch - Right Angle			
SIZE	DWG NO.	ELECTRONIC FILE	REV
A	M10001249	TA3 Datasheet_DWG	A
SCALE: NTS		U.O.M.: mm (Inches)	SHEET: 3 OF 5



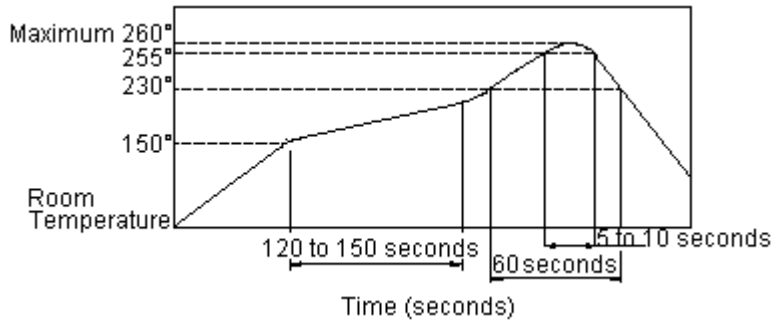
PART NO.

MCTA3 - Series

REVISIONS

ECN #	REV	DESCRIPTION	DRAWN	DATE	CHECKD	DATE	APPRVD	DATE
-	A	RELEASED	Geetha	18/6/08	Suresh	18/6/08	G. C	02/7/08

Temperature Profile:



Part Number Table

Description	Part Number
Switch, Tactile, R/A, 2.3mm	MCTA3-3R2-V
Switch, Tactile, R/A, 2.8mm	MCTA3-2R2-V
Switch, Tactile, R/A, 4mm	MCTA3-4R2-V
Switch, Tactile, R/A, 4.35mm	MCTA3-1R2-V
Switch, Tactile, R/A, 2.3mm	MCTA3-3R3-V
Switch, Tactile, R/A, 2.8mm	MCTA3-2R3-V
Switch, Tactile, R/A, 4mm	MCTA3-4R3-V
Switch, Tactile, R/A, 4.35mm	MCTA3-1R3-V

This data sheet and its contents (the "Information") belong to the Premier Farnell Group (the "Group") or are licensed to it. No licence is granted for the use of it other than for information purposes in connection with the products to which it relates. No licence of any intellectual property rights is granted. The Information is subject to change without notice and replaces all data sheets previously supplied. The Information supplied is believed to be accurate but the Group assumes no responsibility for its accuracy or completeness, any error in or omission from it or for any use made of it. Users of this data sheet should check for themselves the Information and the suitability of the products for their purpose and not make any assumptions based on information included or omitted. Liability for loss or damage resulting from any reliance on the Information or use of it (including liability resulting from negligence or where the Group was aware of the possibility of such loss or damage arising) is excluded. This will not operate to limit or restrict the Group's liability for death or personal injury resulting from its negligence. SPC MULTICOMP is the registered trademark of the Group. © Premier Farnell plc 2008.

TOLERANCES:

UNLESS OTHERWISE SPECIFIED, DIMENSIONS ARE FOR REFERENCE PURPOSES ONLY.

DRAWN BY:	DATE:
Geetha	18/06/08
CHECKED BY:	DATE:
Suresh	18/06/08
APPROVED BY:	DATE:
G.Cook	02/07/08

DRAWING TITLE:

TACT Switch - Right Angle

SIZE A	DWG NO. M10001249	ELECTRONIC FILE TA3 Datasheet_DWG	REV A
SCALE: NTS	U.O.M.: mm (Inches)	SHEET: 4 OF 5	



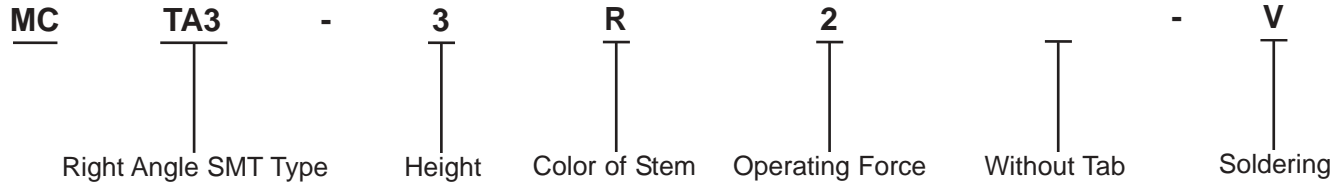
PART NO.

MCTA3 - Series

REVISIONS

ECN #	REV	DESCRIPTION	DRAWN	DATE	CHECKD	DATE	APPRVD	DATE
-	A	RELEASED	Geetha	18/6/08	Suresh	18/6/08	G. C	02/7/08

Part Number Explanation:



- Height** : 1 = 4.35mm, 2 = 2.80mm, 3 = 2.30mm and 4 = 4.00mm.
- Color of Stem** : R = Red.
- Operating Force** : 2 = 185gf and 3 = 260gf.
- Soldering** : V = Lead Free Solderable.

<http://www.farnell.com>
<http://www.newark.com>
<http://www.cpc.co.uk>

This data sheet and its contents (the "Information") belong to the Premier Farnell Group (the "Group") or are licensed to it. No licence is granted for the use of it other than for information purposes in connection with the products to which it relates. No licence of any intellectual property rights is granted. The Information is subject to change without notice and replaces all data sheets previously supplied. The Information supplied is believed to be accurate but the Group assumes no responsibility for its accuracy or completeness, any error in or omission from it or for any use made of it. Users of this data sheet should check for themselves the Information and the suitability of the products for their purpose and not make any assumptions based on information included or omitted. Liability for loss or damage resulting from any reliance on the Information or use of it (including liability resulting from negligence or where the Group was aware of the possibility of such loss or damage arising) is excluded. This will not operate to limit or restrict the Group's liability for death or personal injury resulting from its negligence. SPC MULTICOMP is the registered trademark of the Group. © Premier Farnell plc 2008.

TOLERANCES:
UNLESS OTHERWISE SPECIFIED, DIMENSIONS ARE FOR REFERENCE PURPOSES ONLY.

DRAWN BY:	DATE:
Geetha	18/06/08
CHECKED BY:	DATE:
Suresh	18/06/08
APPROVED BY:	DATE:
G.Cook	02/07/08

DRAWING TITLE:			
TACT Switch - Right Angle			
SIZE	DWG NO.	ELECTRONIC FILE	REV
A	M10001249	TA3 Datasheet_DWG	A
SCALE: NTS		U.O.M.: mm (Inches)	SHEET: 5 OF 5