

P/N: WTL8A10392

SURFACE MOUNT PACKAGE FOR TUNING FORK 32.768KHz



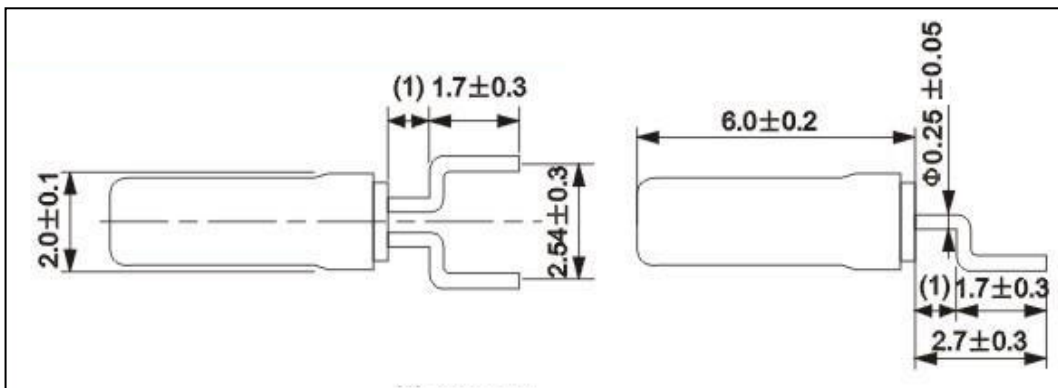
Features

- Frequency Range:30-200KHz
- Suited for automatic mounting and reflow soldering
- For a clock source in digital equipments

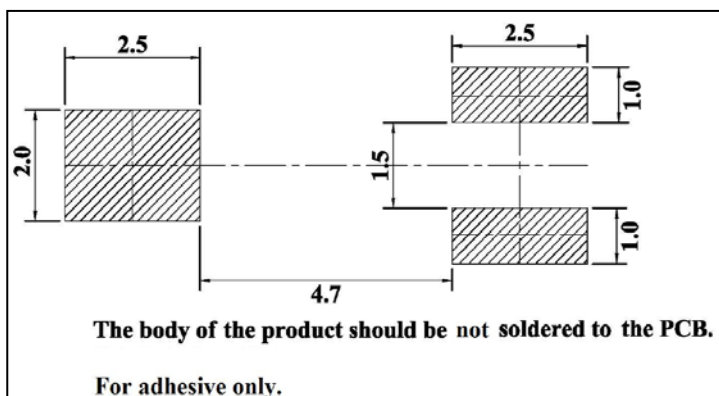
STANDARD SPECIFICATIONS

Frequency Range	32.768KHz	
Load Capacitance	12.5pF	
Drive Level	1.0μW Max	
Frequency Tolerance	±20ppm	at 25°C
Series Resistance	50Kohm Max	at 25°C
Turnover Temperature	25 ± 5°C	
Temperature Coefficient	$[-0.035 \pm 0.01] \text{ppm}/^\circ\text{C}^2$	
Operating Temperature Range	-40~+85°C	
Storage Temperature Range	-40~+85°C	
Motional Capacitance	0.0030pF Typical	
Shunt Capacitance	1.55pF Typical	
Capacitance Ratio C0/C1	500 Typical	
Aging[first year]	±5ppm Max	25°C ±3°C
Quality Factor	50000Typical	
Insulation Resistance	500Mohm Min.	DC100V±15V(Pin to Pin,Pin to case)

OUTLINE DIMENSIONS(unit:mm)



SOLDER PATTERN(mm)



REFLOW TEMPERATURE PROFILE

