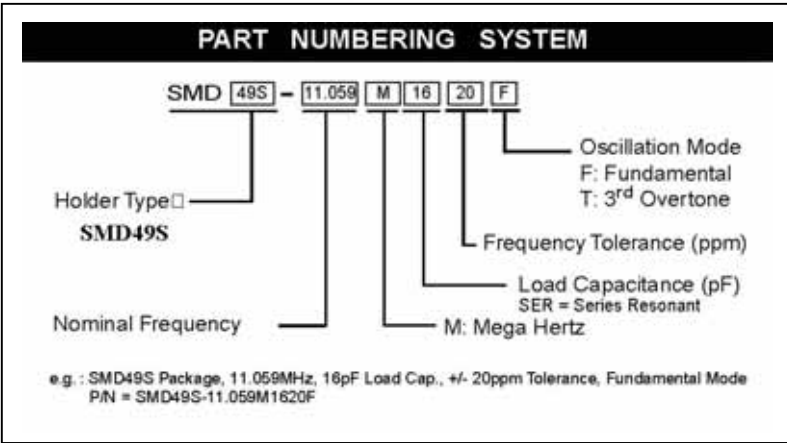


SMD49S METAL PACKAGE CRYSTAL RESONATOR



Application

Microprocessor Clock, Network Card, A/V Card
Cable Modem, Disc Drive, Hand-held products,
Notebook Computer, Bluetooth, Mp3 Player.

Features

The SMD49S is Metal Package with resistance
Weld Sealed, Lead-free compliance, tight tolerance,
and stability, reflow soldering to be possible.

Generic Specification

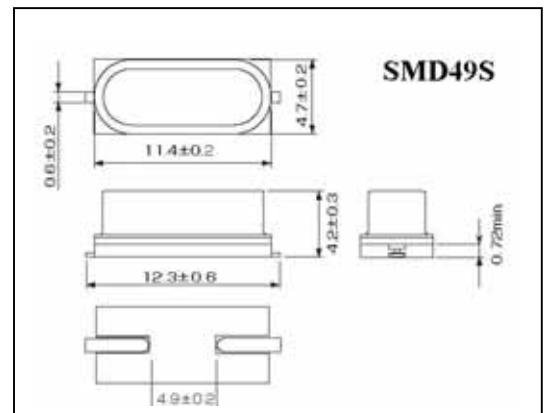
Nominal Frequency Range	3.200MHZ — 40.000MHZ	26.000MHZ — 105.000MHZ
Vibration Mode	Fundamental	Third Overtone
Temperature Stability at 25°C	+/-20PPM; +/-30PPM; +/-50PPM; +/-100PPM	
Frequency Tolerance at 25°C	+/-10PPM; +/-20PPM; +/-30PPM; +/-50PPM;	
Load Capacitance	Series, 10pF, 12pF, 16pF, 18pF, 20pF	
Operating Temperature Range	-10°C — +60°C ; -20°C — +70°C ; -40°C — +85°C	
Storage Temperature Range	-40°C — +85°C	
Drive Level	10uW (100uW max.)	
Aging Rate at 25°C	+/-5 PPM per year Max	



Frequency Range and ESR

Nominal Frequency Range	Equivalent Series Resistance	
	AT cut Fundamental	AT cut Third Overtone
3.200MHZ — 3.499MHZ	200 Ohm Max	
3.500MHZ — 3.799MHZ	150 Ohm Max	
3.800MHZ — 4.099MHZ	120 Ohm Max	
4.100MHZ — 4.999MHZ	100 Ohm Max	
5.000MHZ — 5.999MHZ	80 Ohm Max	
6.000MHZ — 7.999MHZ	70 Ohm Max	
8.000MHZ — 9.999MHZ	60 Ohm Max	
10.000MHZ — 11.999MHZ	50 Ohm Max	
12.000MHZ — 27.999MHZ	40 Ohm Max	
28.000MHZ — 40.000MHZ	30 Ohm Max	
26.000MHZ — 39.999MHZ		100 Ohm Max
40.000MHZ — 105.000MHZ		80 Ohm Max Max

External Dimension (Unit: mm)



Soldering Land Pattern

