

P/N:WTL9M10460

Resistance Welded HC-49/S Surface Mount Package



FEATURE

- I Height 4.0mm, or 3.0mm, compact unit for surface mount
- I Able to by means of a metal case and completely sealed high solution characteristics
- I Copes with high density mounting and is the optimum for mass production



ELECTRICAL SPECIFICATIONS

Nominal frequency	8.000MHz
Oscillation mode	See below table
Operating temperature range	-40°C+85°C
Storage temperature range	-40°C+85°C
Frequency tolerance	± 30ppm
Freq. Temp characteristics	± 30ppm
Load capacitance	18pF
Equivalent series resistance	See below table
Parallel capacitance(Co)	7PF Max
Drive level	100 μW Typical
Insulation resistance	More than 500M Ω AT DC100V

EQUIVALENT SERIES RESISTANCE(ESR) AND OSCILLATION MODE

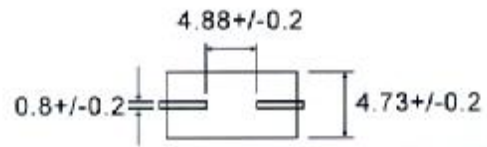
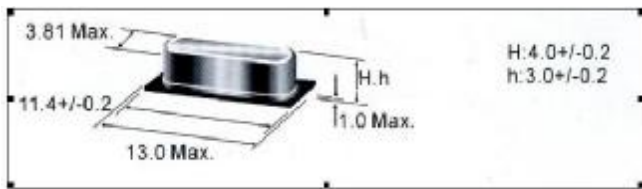
Frequency Range	E.S.R (Ω)	Mode	Frequency Range	E.S.R (Ω)	Mode
3.000MHz~5.999MHz	150Max	Fundamental/AT	24.000MHz~40.320MHz	30Max	Fundamental/ BT
6.000MHz~7.999MHz	60Max	Fundamental/AT	24.000MHz~29.999MHz	100Max	Third Overtone /AT
8.000MHz~15.999M Hz	50Max	Fundamental/AT	30.000MHz~49.999MHz	80Max	Third Overtone /AT
16.000MHz~30.000M Hz	30Max	Fundamental/AT	50.000MHz~100.000MHz	60Max	Third Overtone /AT

P/N:WTL9M10460

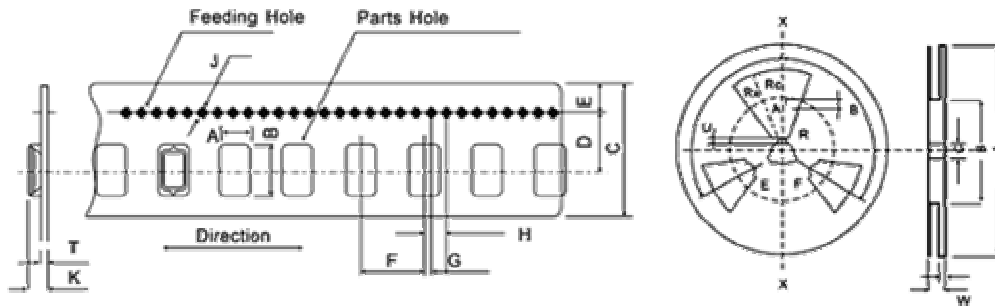
Resistance Welded HC-49/S Surface Mount Package



Dimension



Tape & Reel



Description		Code	Dimensions	
Flanges	Diameter	A	$\phi 330 \pm 2.0$	
	Thickness	t	2.4 ± 0.2	
	WidthbetweenFlanges	W	$+2.0$ $24.4-0$	
Flanges	OutlineDiameter	B	$\phi 100 \pm 2.0$	
	CenterCoreslit	Width	F	2.3 ± 1.0
		Depth	V	6.0 ± 1.0
		Position	Q	$120^\circ \pm 3.0^\circ$
	SpindleDiameter	C	$\phi 13.0 \pm 0.5$	
	KeySeats	Width	E	2.5
		Depth	U	5.0 ± 0.5
Position		Q	$120^\circ \pm 3^\circ$	
Fenestrate	OutlineRadius	R _o	$R90 \pm 1.0$	
	InlineRadius	R _i	$R40 \pm 1.0$	
	RoundedComers	R _c	$+2.0$ $R5-0$	
	OpenAngle	R	$40^\circ \pm 2^\circ$	

Code	Dimension	Code	Dimension	Code	Dimension
A	5.0 ± 0.1	E	1.75 ± 0.1	J	$\phi 1.5 (+0.1, -0)$
B	15.0 ± 0.2	F	$8.0 \pm 0.1 / 12.0 \pm 0.1$	K	5.0 ± 0.1
C	24.0 ± 0.3	G	2.0 ± 0.1	T	5.0 ± 0.1
D	11.05 ± 0.1	H	4.0 ± 0.1		