

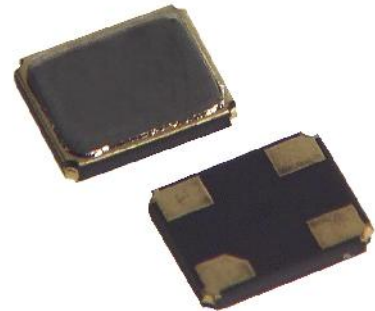
P/N: WTL3M11012

SEAM SEALED CERAMIC 3.2 X 2.5mm SMD



FEATURE

- Ultra thin, thickness 0.7mm
- Leadless type
- High precision characteristic covering up to high frequency range
- Designed for automatic mounting and reflow soldering
- Emboss taping specification
- The best choice of Bluetooth wireless communication sets. DSN, PDA and mobile phone.



ELECTRICAL SPECIFICATIONS

Nominal Frequency	12.000MHz
Mode	Fundamental / AT
Frequency Tolerance (at 25°C)	±50ppm
Frequency Stability Over Operating Temperature Characteristics	±50ppm
Operating Temperature Range	-40 °C to +85°C
Storage Temperature Range	-55°C to + 125 °C
Shunt Capacitance (C ₀)	5.0 pF Max
Driver Level (Typical)	10~100μW
Load Capacitance(C _L)	12pF
ESR	80 Ω Max
Aging @25°C 1 st year (Max)	±3ppm/year
Shock Resistance	Drop test of 3 times on 2mm stainless plate from 75cm height

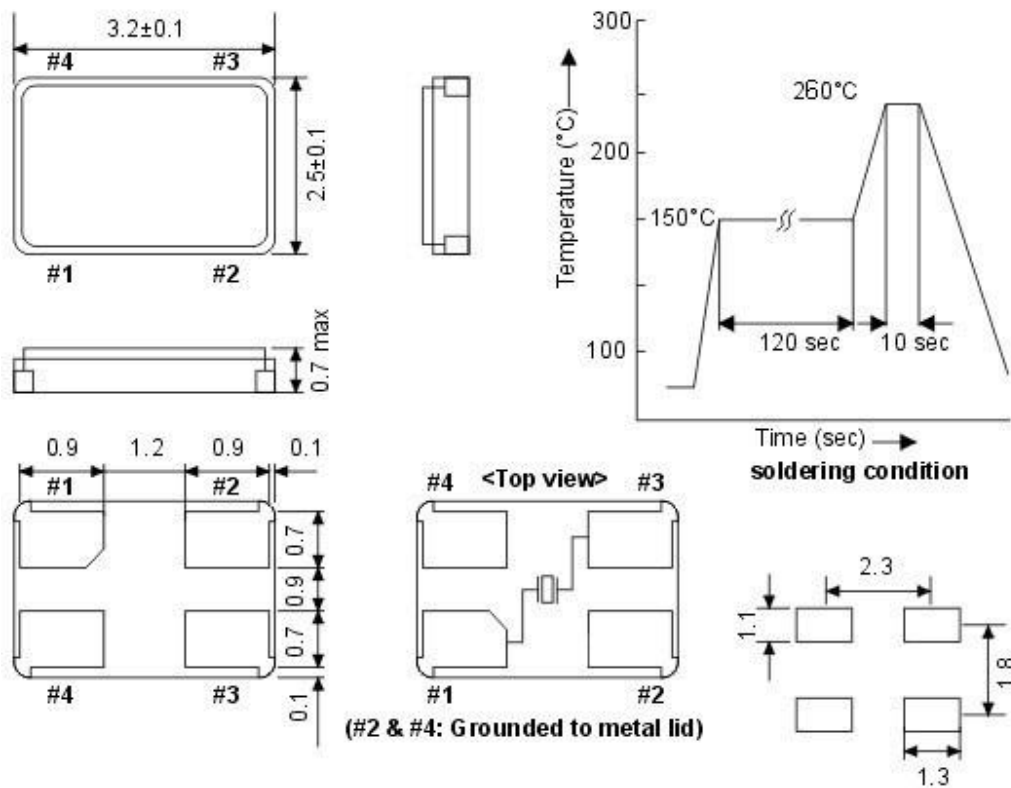
REMARK: SPECIFICATIONS SUBJECT TO CHANGE WITHOUT PRIOR NOTICE. PLEASE CONFIRM WITH OUR SALES ENGINEER.

P/N: WTL3M11012

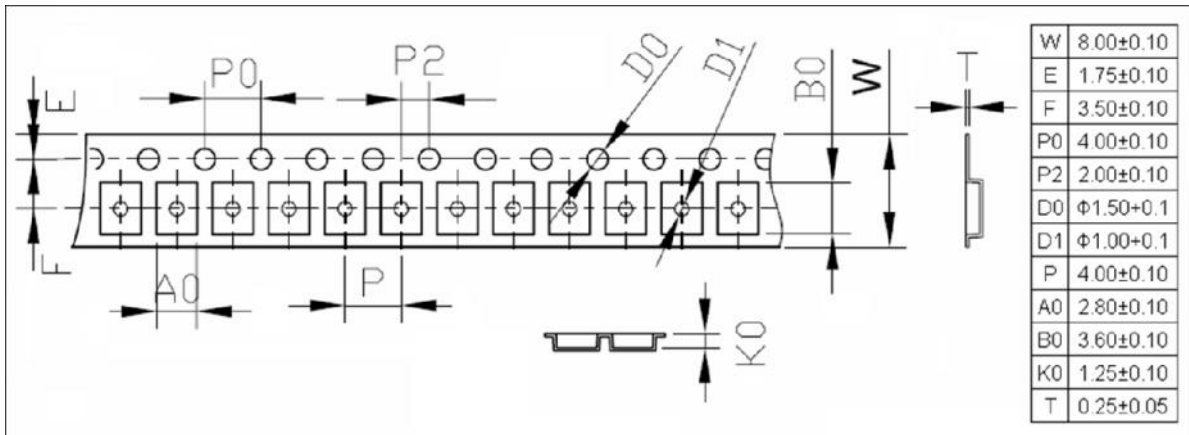
SEAM SEALED CERAMIC 3.2 X 2.5mm SMD



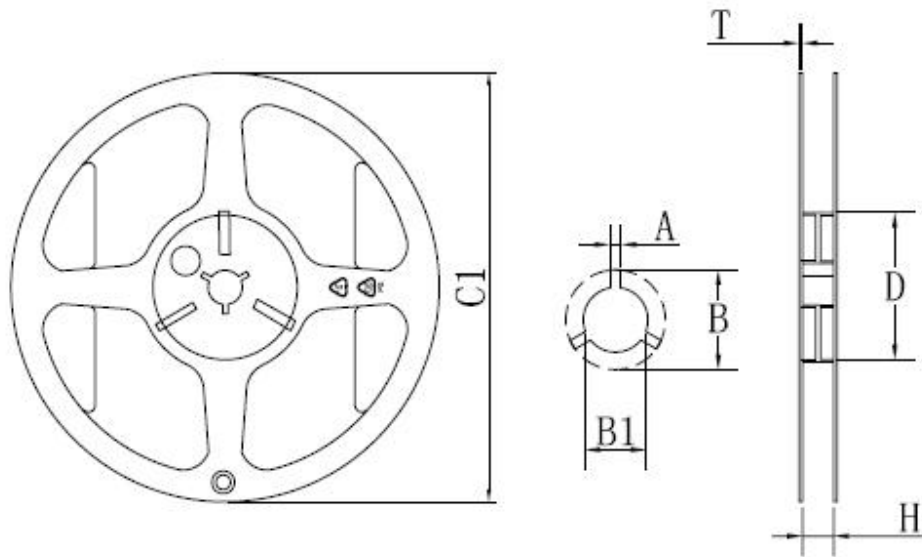
Dimension



Type & Reel



P/N: WTL3M11012
SEAM SEALED CERAMIC 3.2 X 2.5mm SMD



$C1 \pm 1$	$A \pm 0.3$	$B \pm 0.3$	$B1 \pm 0.3$	$T \pm 0.2$	$D \pm 0.5$	$H_{-0.5}^{+0.5}$
178	2.5	21.0	13.2	1.0	60.5	8.5